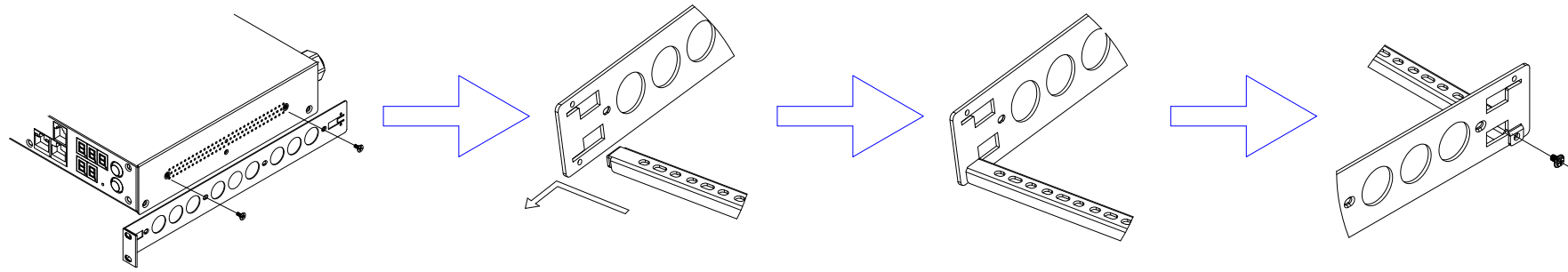
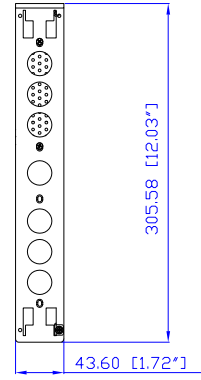


IEC60320 C20

VIEW A



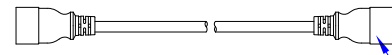
VIEW B



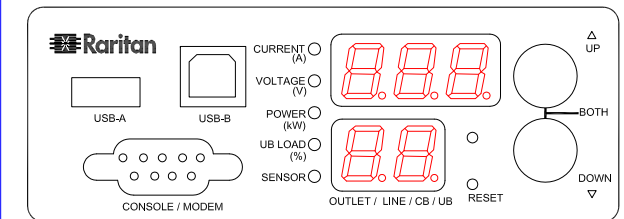
Rear



IEC60320 C19 IEC60320 C20

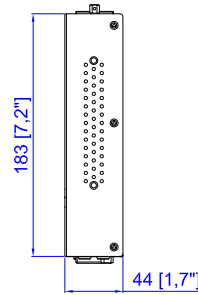
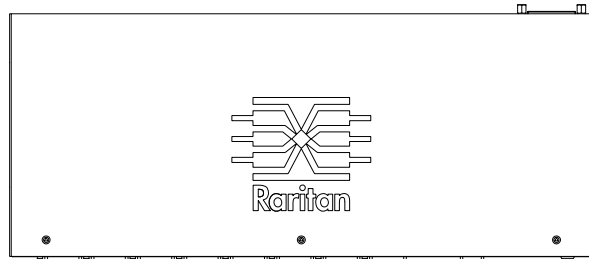


See VIEW A

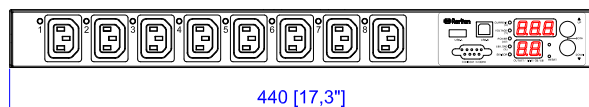


VIEW C

TOP

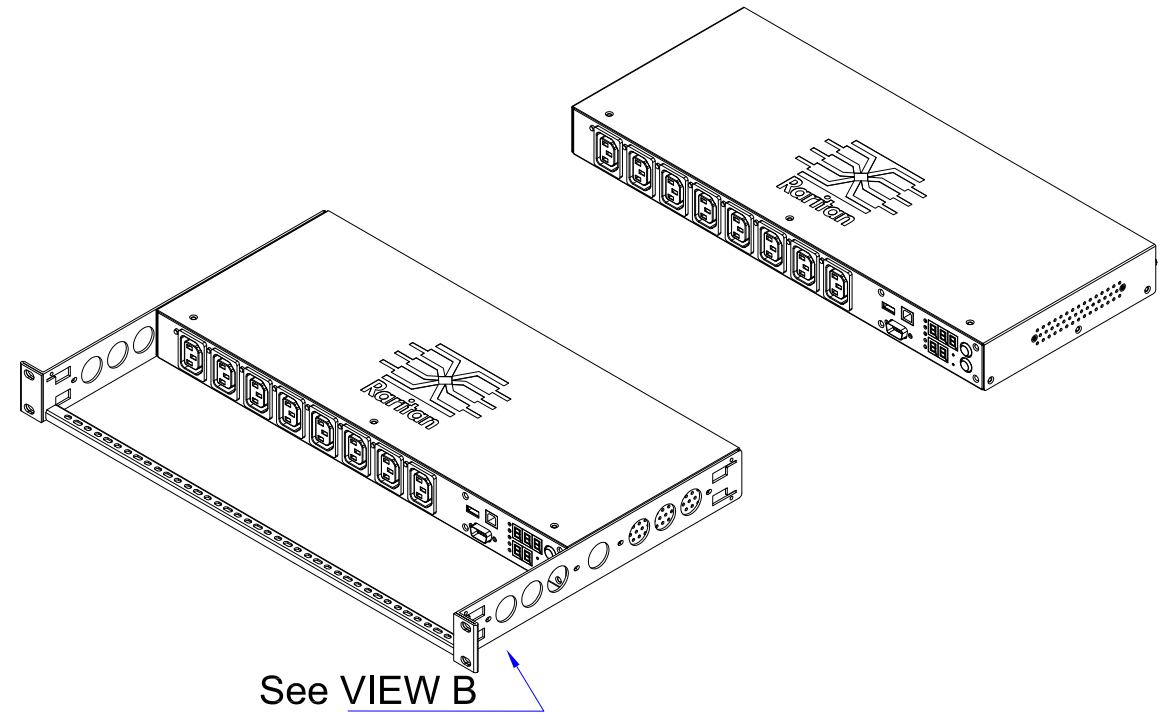


Front



440 [17.3\"]

See VIEW C



See VIEW B

NOTES:  
ALL DIMENSIONS ARE MILLIMETERS[INCHES].



PROJECTION  
THIRD ANGLE

DO NOT SCALE DRAWING

SHEET 1 OF 1

THIS DRAWING AND SPECIFICATIONS HEREIN ARE THE PROPERTY OF RARITAN, INC. AND SHALL NOT BE COPIED, REPRODUCED OR USED, IN WHOLE OR IN PART, AS THE BASIS FOR THE MANUFACTURE OR SALE OF ITEMS WITHOUT WRITTEN PERMISSION FROM RARITAN, INC. THIS DRAWING IS BASED UPON LATEST AVAILABLE INFORMATION AND IS SUBJECT TO CHANGE WITHOUT NOTICE.

TITLE: iPDU One U  
Single Phase, 16A/100V-240V  
Inlet Type: IEC60320 C20  
Plug Type: IEC60320 C20  
Outlet Type: (8) IEC320 C13

DWG NO. **MPX2-4180CR & MPX2-5180CR**

REV. **0A**

Drawing Maker: Eva LIN Sep. 21, 2015  
Design Engineer: Siang\_H Sep. 21, 2015  
Approver: Tom\_H Sep. 21, 2015