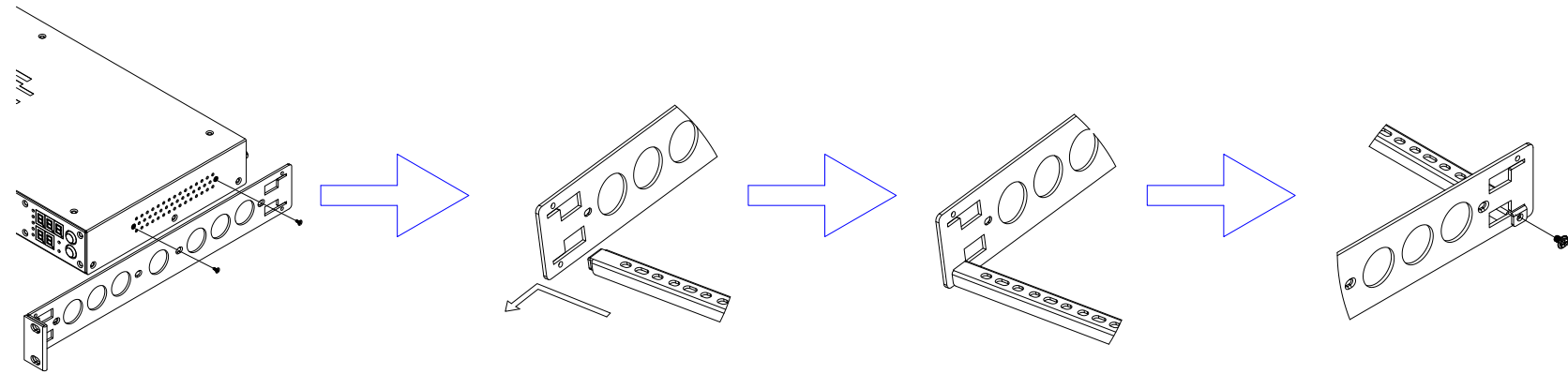


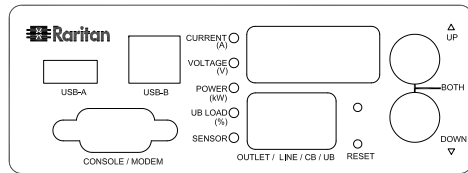
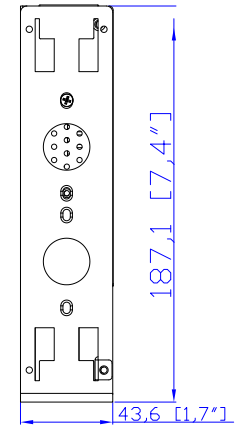


NEMA L6-20P

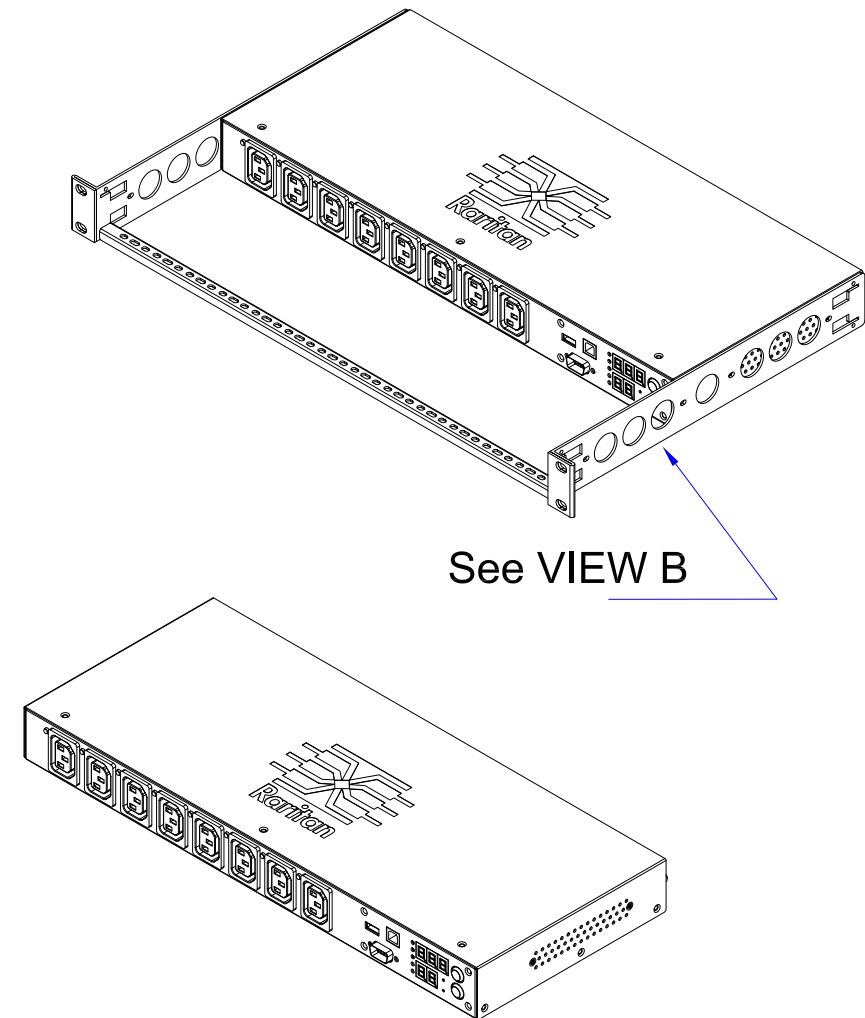
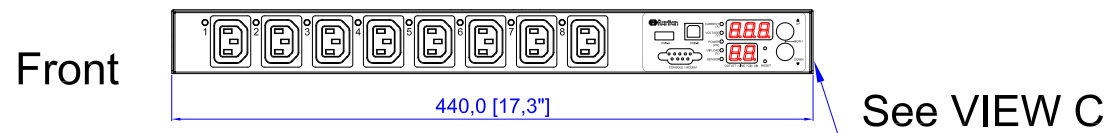
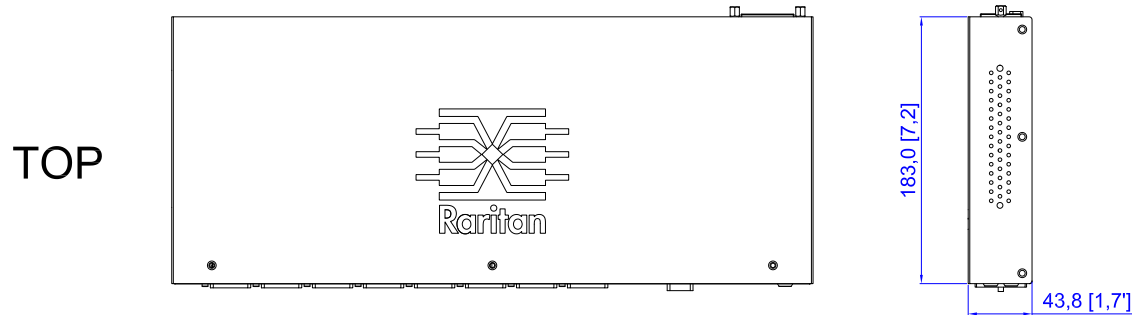
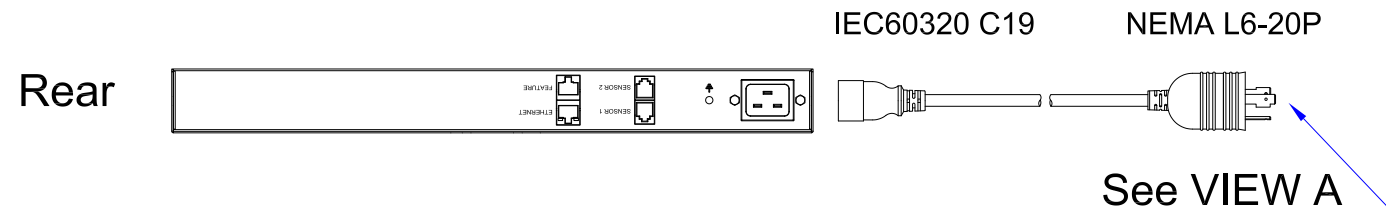
VIEW A



VIEW B



VIEW C



NOTES:
1. ALL DIMENSIONS ARE MILLIMETERS [INCHES].

		PROJECTION THIRD ANGLE	DO NOT SCALE DRAWING	TITLE: iPDU One U, Single Phase, 16A/200V-240V Inlet Type: IEC60320 C20, Plug Type: NEMA L6-20P Output Type (8) IEC320 C13
		SHEET 1 OF 1		
DRAWN : Eva Lin	Jun. 04, 2013	THIS DRAWING AND SPECIFICATIONS HEREIN ARE THE PROPERTY OF RARITAN, INC. AND SHALL NOT BE COPIED, REPRODUCED OR USED, IN WHOLE OR IN PART, AS THE BASIS FOR THE MANUFACTURE OR SALE OF ITEMS WITHOUT WRITTEN PERMISSION FROM RARITAN, INC. THIS DRAWING IS BASED UPON LATEST AVAILABLE INFORMATION AND IS SUBJECT TO CHANGE WITHOUT NOTICE.		DWG NO.
ENGINEER: Siang_H	Jun. 04, 2013			MPX2-5190R & MPX2-4190R
APPROVED: Tom_H	Jun. 04, 2013			REV. A