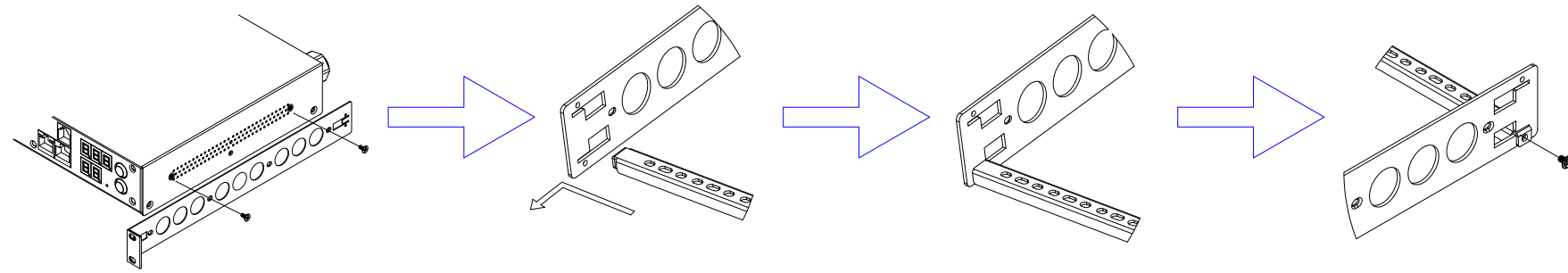
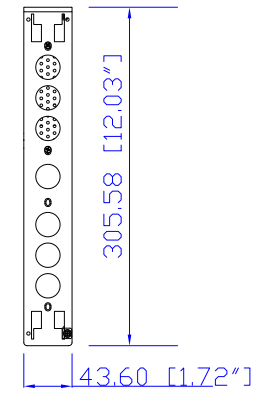


IEC 60320 C20

VIEW A



VIEW B

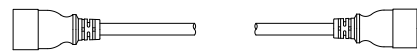


Rear

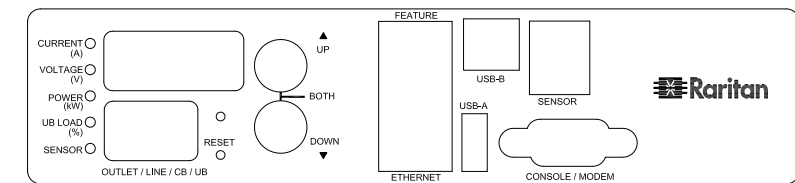


See VIEW C

IEC 60320 C19 IEC 60320 C20

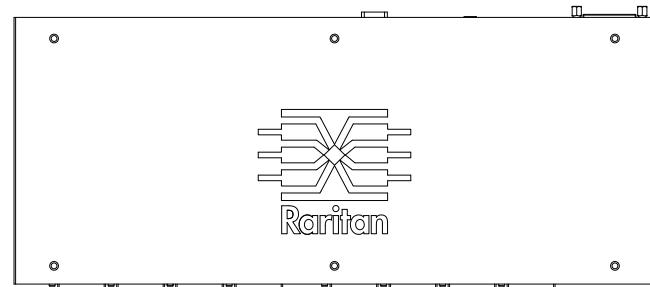


See VIEW A

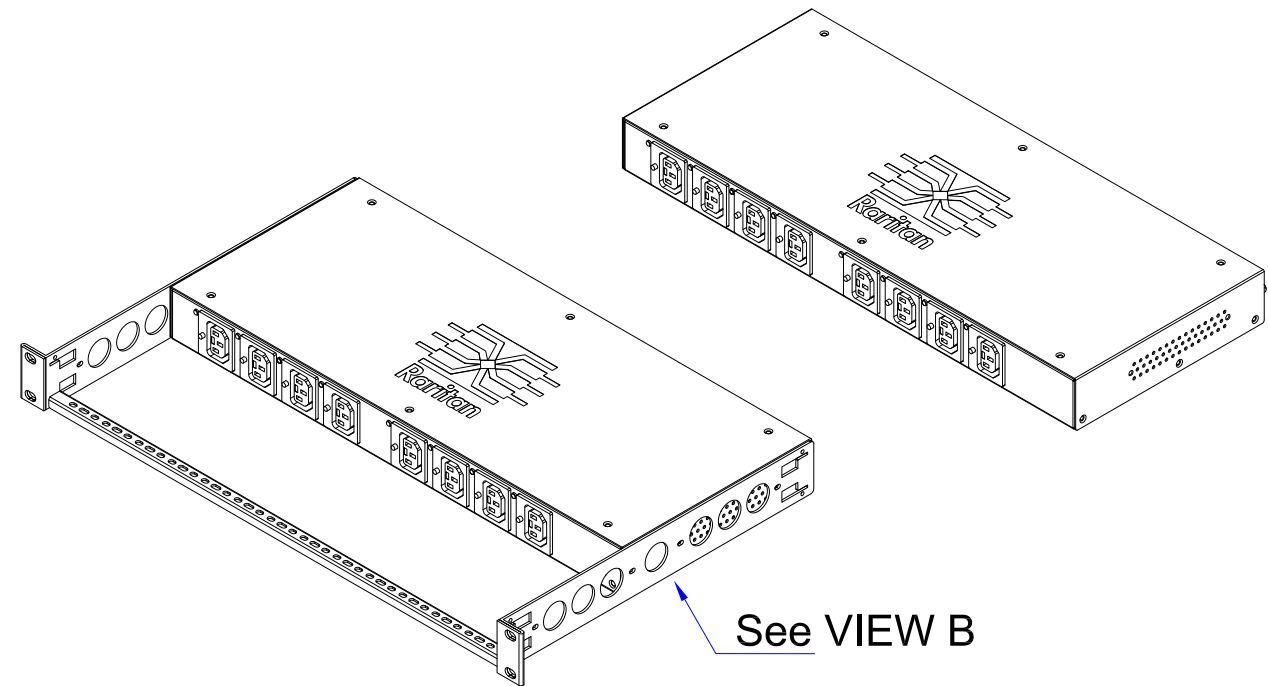
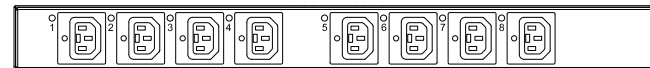


VIEW C

TOP



Front

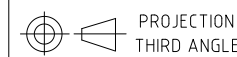


See VIEW B

NOTES:
1. ALL DIMENSIONS ARE MILLIMETERS [INCHES].



DRAWN : Eva Lin Oct.25,2011
ENGINEER: Sam_L Oct.25,2011
APPROVED: Tom_H Oct.25,2011



PROJECTION
THIRD ANGLE

DO NOT SCALE DRAWING

SHEET 1 OF 1

THIS DRAWING AND SPECIFICATIONS HEREIN ARE THE PROPERTY OF RARITAN, INC. AND SHALL NOT BE COPIED, REPRODUCED OR USED, IN WHOLE OR IN PART, AS THE BASIS FOR THE MANUFACTURE OR SALE OF ITEMS WITHOUT WRITTEN PERMISSION FROM RARITAN, INC. THIS DRAWING IS BASED UPON LATEST AVAILABLE INFORMATION AND IS SUBJECT TO CHANGE WITHOUT NOTICE.

TITLE: iPDU One U,
Single Phase, 16A/100V-240V
Inlet Type: IEC60320 C20,
Plug Type: IEC60320 C20 (CE)
Outlet Type: (8) Locking IEC320 C13

DWG NO.
MPX2-4190CR-E2 & MPX2-5190CR-E2

REV.
A