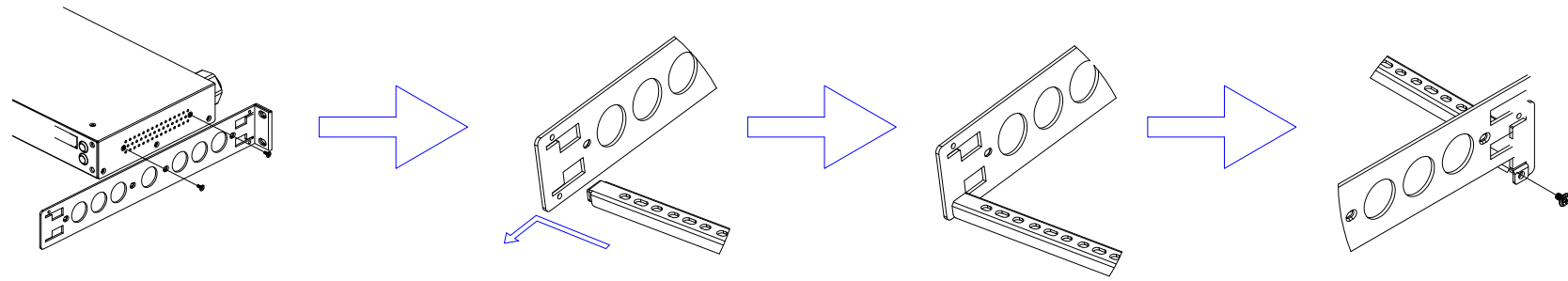
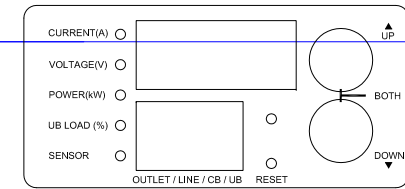
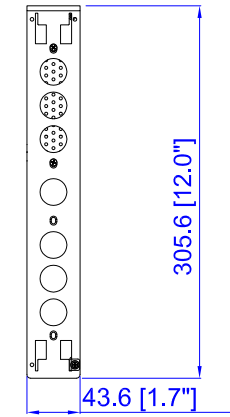


NEMA L6-30P

VIEW A

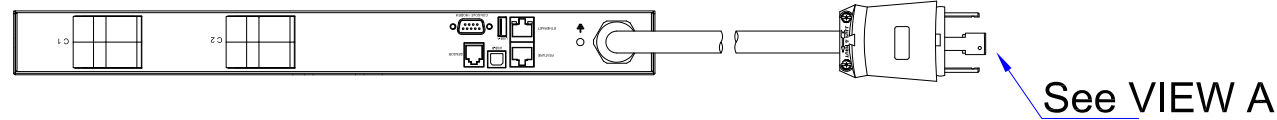


VIEW B

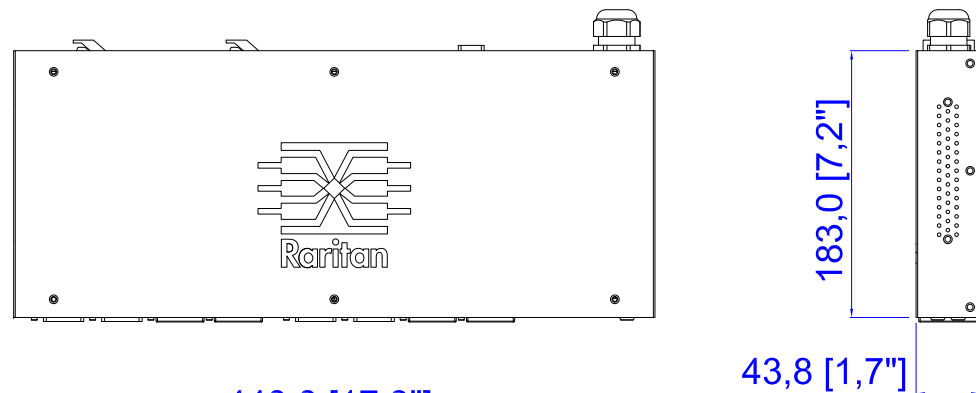


VIEW C

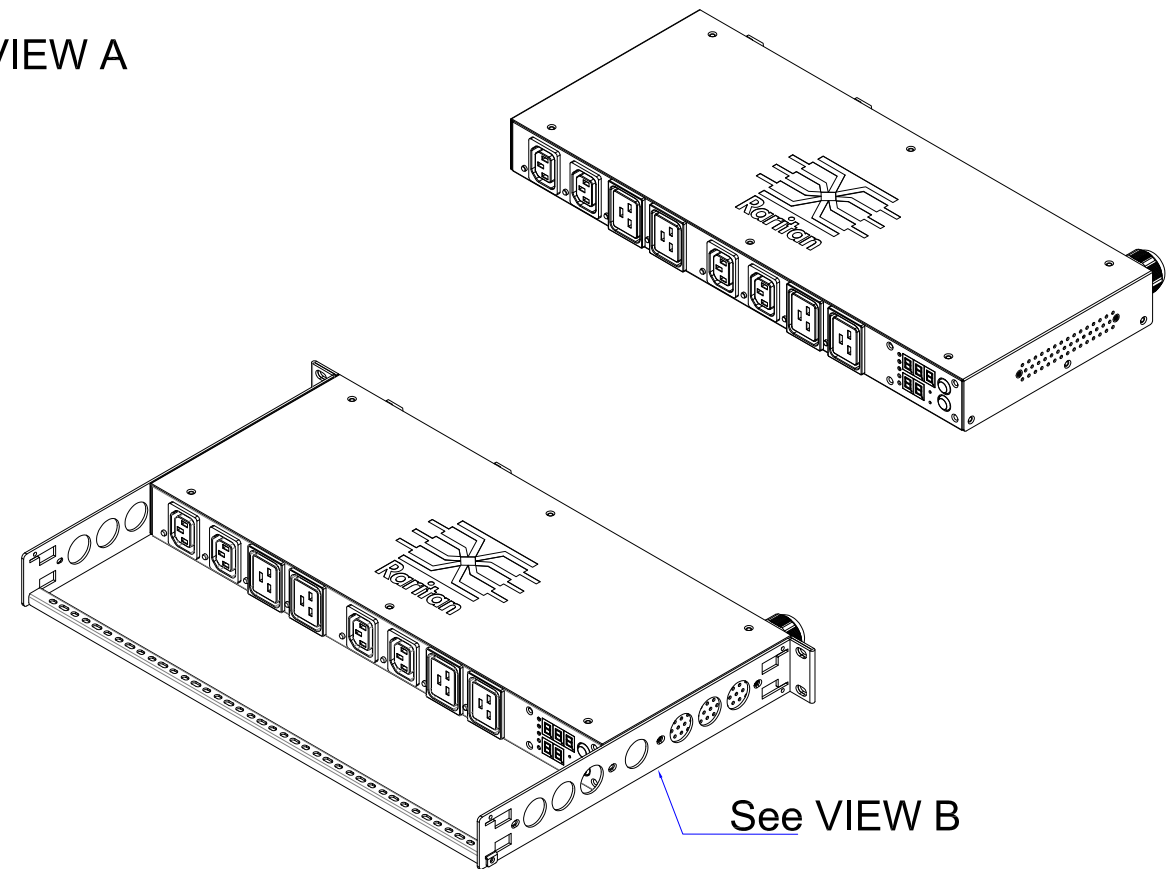
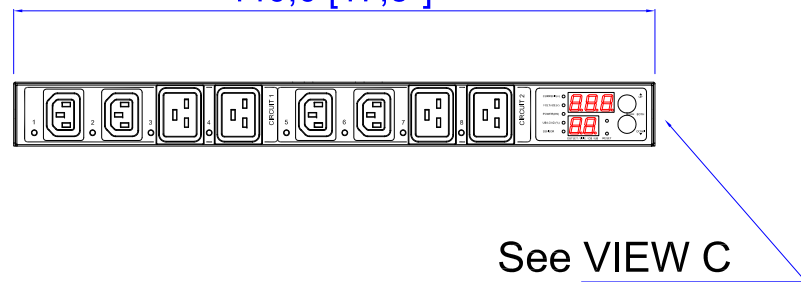
Rear



TOP



Front



NOTES:
ALL DIMENSIONS ARE MILLIMETERS[INCHES].

| | | | | |
|---------------------|--------------|---|---|---|
| www.raritan.com | | PROJECTION THIRD ANGLE | DO NOT SCALE DRAWING SHEET 1 OF 1 | TITLE: iPDU One U, Single Phase, 24A / 200V-240V Plug Type: NEMA L6-30P, Outlet Type: (4)IEC320 C13 & (4)IEC320 C19 |
| | | THIS DRAWING AND SPECIFICATIONS HEREIN ARE THE PROPERTY OF RARITAN, INC. AND SHALL NOT BE COPIED, REPRODUCED OR USED, IN WHOLE OR IN PART, AS THE BASIS FOR THE MANUFACTURE OR SALE OF ITEMS WITHOUT WRITTEN PERMISSION FROM RARITAN, INC. THIS DRAWING IS BASED UPON LATEST AVAILABLE INFORMATION AND IS SUBJECT TO CHANGE WITHOUT NOTICE. | | DWG NO. MPX2-4198R-F1 |
| DRAWN : Eva Lin | Jun.23, 2014 | ENGINEER: Kenny_C | Jun.23, 2014 | REV. A |
| APPROVED: Tom_H | Jun.23, 2014 | | | |