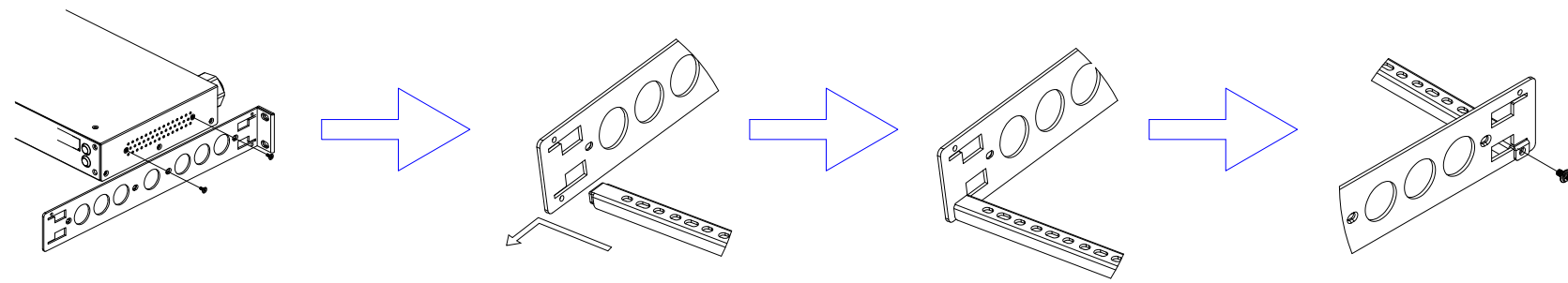
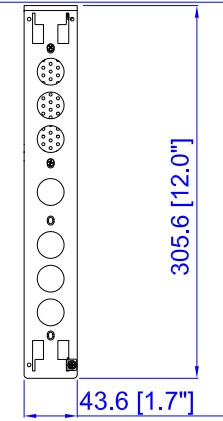


NEMA L6-30P

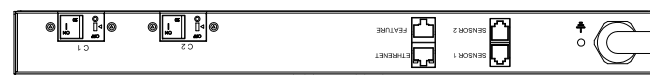
VIEW A



VIEW B

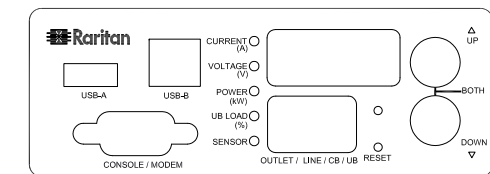


Rear



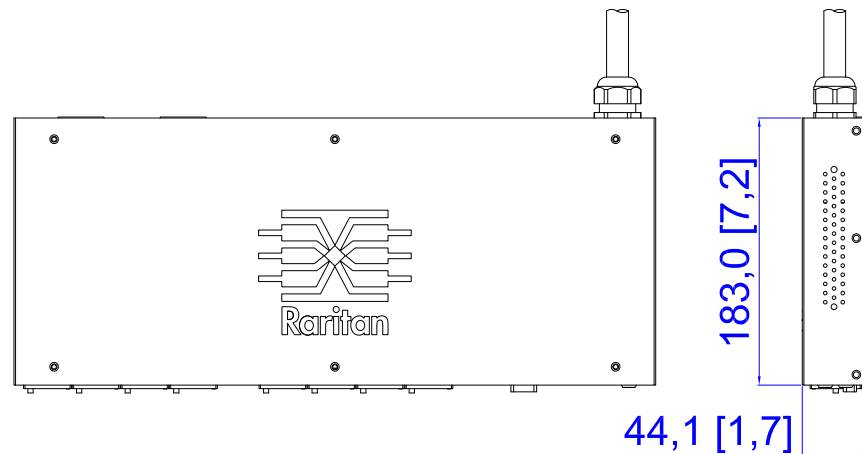
NEMA L6-30P

See VIEW A

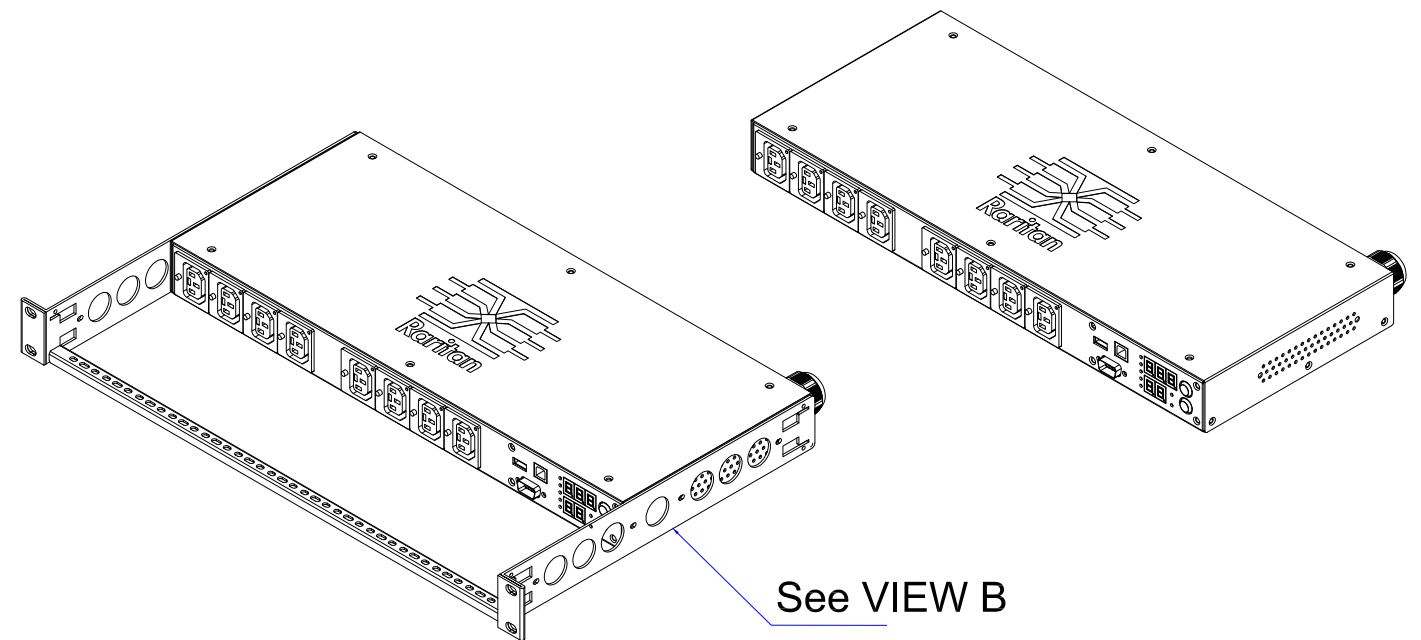
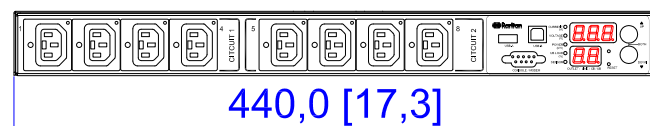


VIEW C

TOP



Front



See VIEW B

NOTES:
1. ALL DIMENSIONS ARE MILLIMETERS [INCHES].



PROJECTION
THIRD ANGLE

DO NOT SCALE DRAWING
SHEET 1 OF 1

THIS DRAWING AND SPECIFICATIONS HEREIN ARE THE PROPERTY OF RARITAN, INC. AND SHALL NOT BE COPIED, REPRODUCED OR USED, IN WHOLE OR IN PART, AS THE BASIS FOR THE MANUFACTURE OR SALE OF ITEMS WITHOUT WRITTEN PERMISSION FROM RARITAN, INC. THIS DRAWING IS BASED UPON LATEST AVAILABLE INFORMATION AND IS SUBJECT TO CHANGE WITHOUT NOTICE.

TITLE: iPDU One U,
Single Phase, 24 A/200V-240V
Plug Type: NEMA L6-30P
Output Type: (8) Locking C13

DRAWN : Eva Lin May 07, 2014
ENGINEER: Kenny_C May 07, 2014
APPROVED: Tom_H May 07, 2014

DWG NO. **MPX2-4200R-E2** REV. **A**