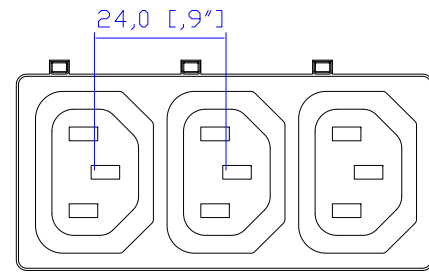


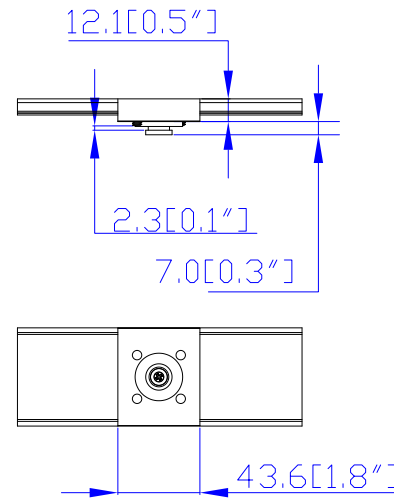
IEC60309 16A

VIEW A

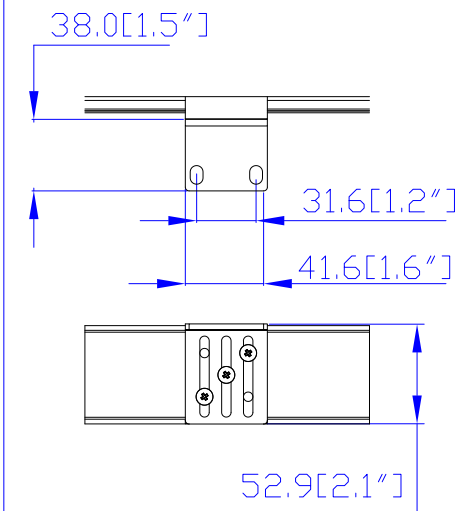


VIEW B

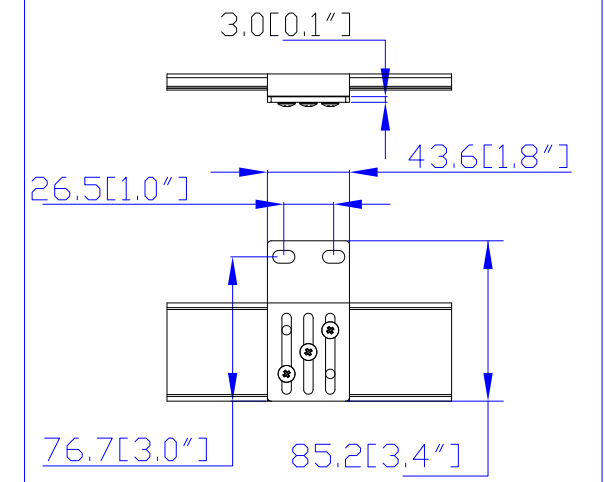
Option 1.



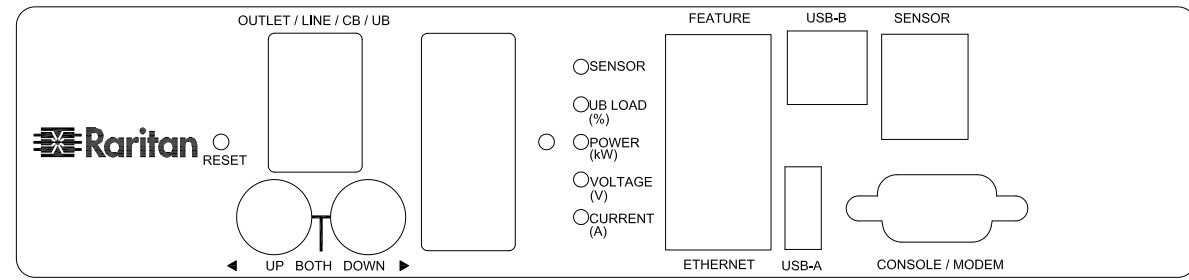
Option 2.



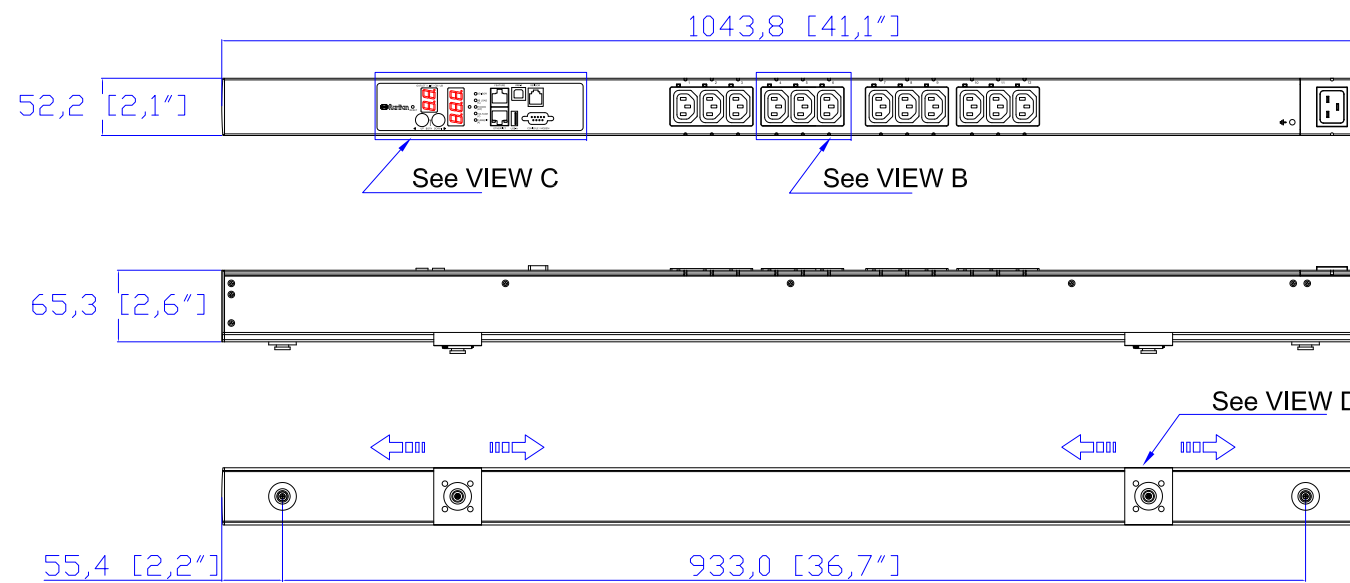
Option 3.



VIEW D

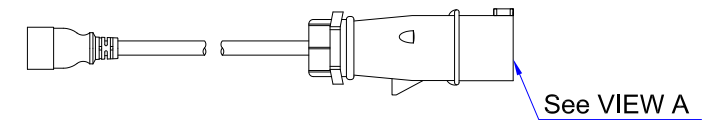


VIEW C



IEC 320 C19

IEC60309 16A



See VIEW A

NOTES:
1. ALL DIMENSIONS ARE MILLIMETERS [INCHES].



DRAWN :	EVA LIN	Feb. 25, 2013
ENGINEER:	Siang_H	Feb. 25, 2013
APPROVED:	Tom_H	Feb. 25, 2013



DO NOT SCALE DRAWING
SHEET 1 OF 1

THIS DRAWING AND SPECIFICATIONS HEREIN ARE THE PROPERTY OF RARITAN, INC. AND SHALL NOT BE COPIED, REPRODUCED OR USED, IN WHOLE OR IN PART, AS THE BASIS FOR THE MANUFACTURE OR SALE OF ITEMS WITHOUT WRITTEN PERMISSION FROM RARITAN, INC. THIS DRAWING IS BASED UPON LATEST AVAILABLE INFORMATION AND IS SUBJECT TO CHANGE WITHOUT NOTICE.

TITLE: iPDU Zero U,
Single Phase, 16A/200V-240V,
Input Type: IEC60320 C20 ,
Plug Type: IEC60309 16A
Output Type: (12) IEC320 C13

DWG NO.	REV.
MPX2-5260 & MPX2-4260	A