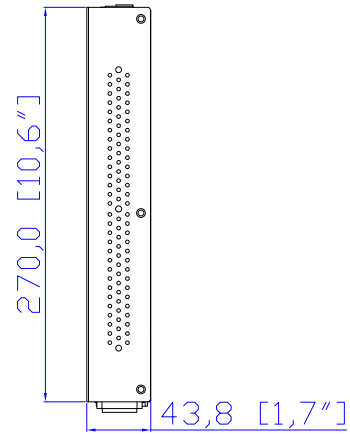
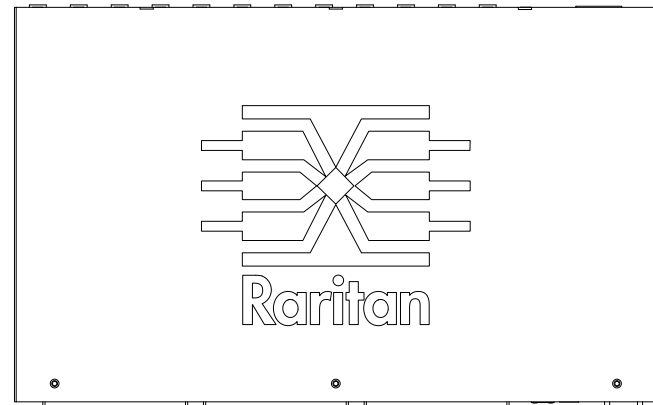


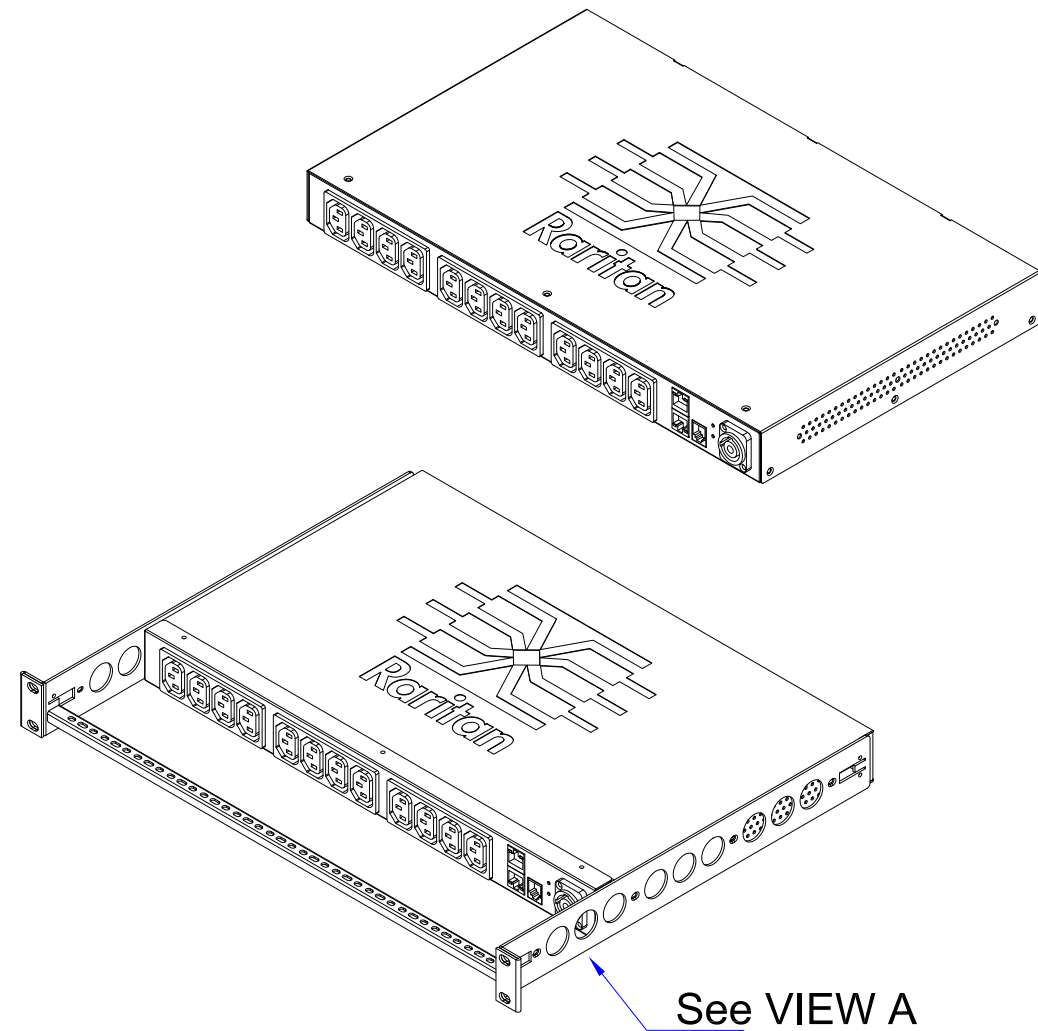
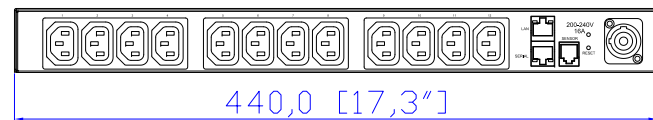
Rear




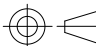
TOP



Front



NOTES:
ALL DIMENSIONS ARE MILLIMETERS[INCHES].

 Raritan www.raritan.com	 PROJECTION THIRD ANGLE	DO NOT SCALE DRAWING SHEET 1 OF 1	TITLE: iPDU One U, Single Phase, 16A/200V-240V Input: powerCON 20A, Output: (12)IEC320 C13
	THIS DRAWING AND SPECIFICATIONS HEREIN ARE THE PROPERTY OF RARITAN, INC. AND SHALL NOT BE COPIED, REPRODUCED OR USED, IN WHOLE OR IN PART, AS THE BASIS FOR THE MANUFACTURE OR SALE OF ITEMS WITHOUT WRITTEN PERMISSION FROM RARITAN, INC. THIS DRAWING IS BASED UPON LATEST AVAILABLE INFORMATION AND IS SUBJECT TO CHANGE WITHOUT NOTICE.		
DRAWN : Eva Lin Mar. 01,2012	ENGINEER: Kenny_C Mar. 01,2012	APPROVED: Tom_H Mar. 01,2012	DWG NO. MPX2-4260PR-F5N1
			REV. A