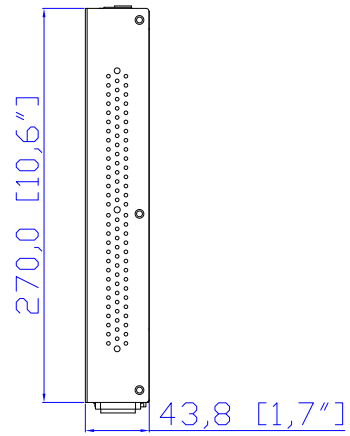
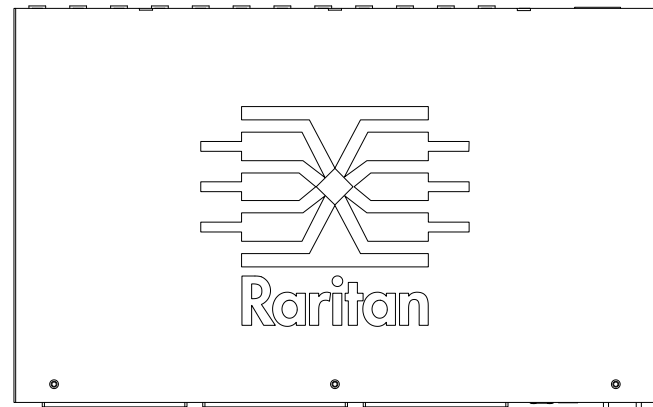


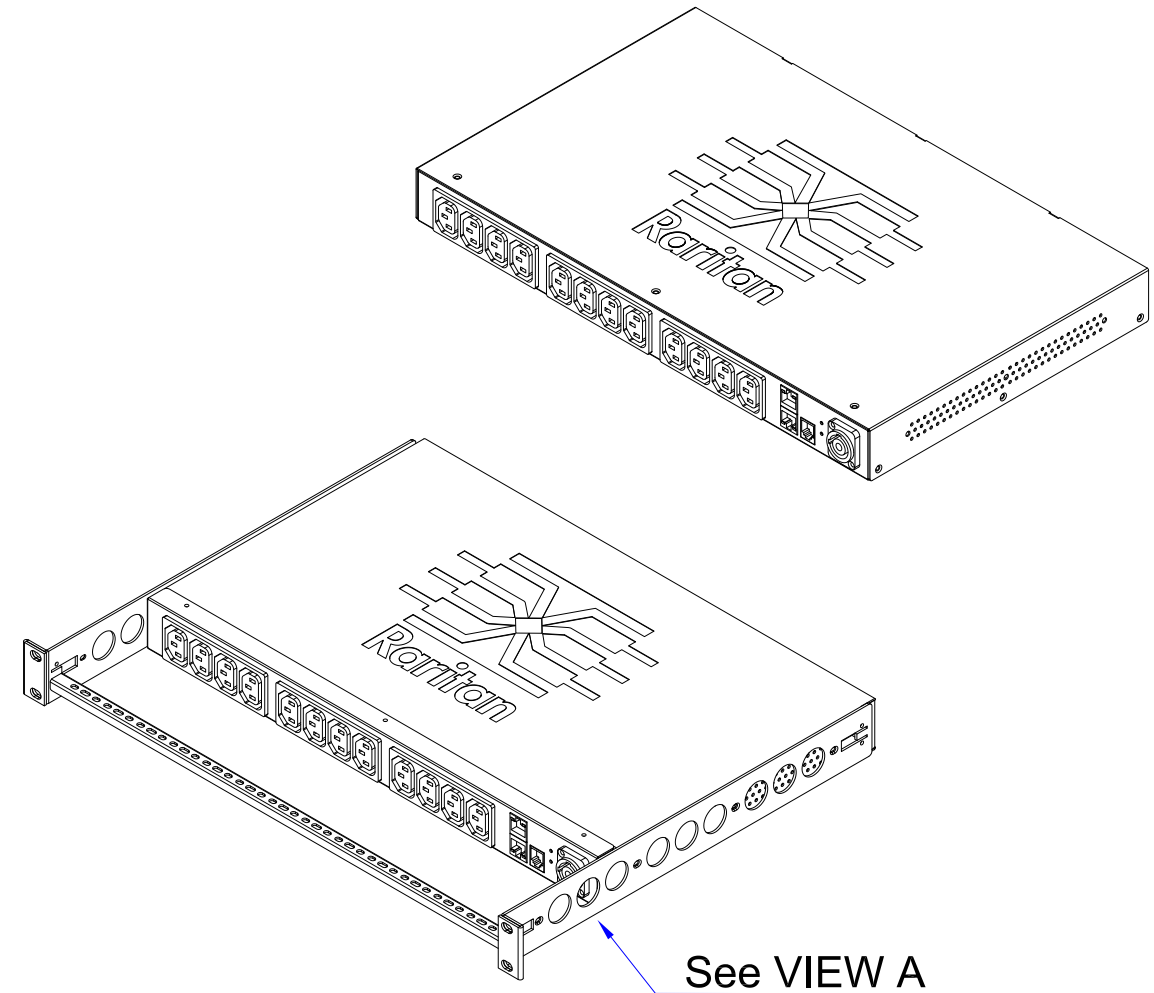
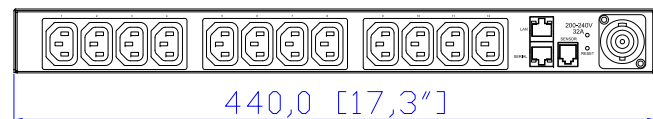
Rear




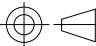
TOP



Front



NOTES:
ALL DIMENSIONS ARE MILLIMETERS[INCHES].

 www.raritan.com		 PROJECTION THIRD ANGLE	DO NOT SCALE DRAWING	TITLE: iPDU One U, Single Phase, 32A/200V-240V Input: powerCON 32A , Output: (12) IEC320 C13	
			SHEET 1 OF 1		
DRAWN : Eva Lin	Mar. 01,2012	THIS DRAWING AND SPECIFICATIONS HEREIN ARE THE PROPERTY OF RARITAN, INC. AND SHALL NOT BE COPIED, REPRODUCED OR USED, IN WHOLE OR IN PART, AS THE BASIS FOR THE MANUFACTURE OR SALE OF ITEMS WITHOUT WRITTEN PERMISSION FROM RARITAN, INC. THIS DRAWING IS BASED UPON LATEST AVAILABLE INFORMATION AND IS SUBJECT TO CHANGE WITHOUT NOTICE.		DWG NO. MPX2-4292PR-N1	
ENGINEER: Kenny_C	Mar. 01,2012				REV. A
APPROVED: Tom_H	Mar. 01,2012				