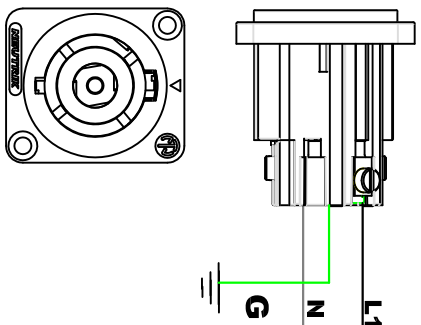




AC CONNECTOR 32A



 www.raritan.com		 PROJECTION THIRD ANGLE	DO NOT SCALE DRAWING SHEET 1 OF 1	TITLE: IPDU 1U, Metered Only, Single phase 32A / 200~240V Input : AC CONNECTOR 32A Output : (12) C13	DWG NO. TPX2-4292PR-N1	REV. 0B		
							DRAWN : Asa	JAN/27/2015
							ENGINEER: Asa	JAN/27/2015
							APPROVED: Bright	JAN/27/2015
<small> THIS DRAWING AND SPECIFICATIONS HEREIN ARE THE PROPERTY OF RARITAN, INC. AND SHALL NOT BE COPIED, REPRODUCED OR USED, IN WHOLE OR IN PART, AS THE BASIS FOR THE MANUFACTURE OR SALE OF ITEMS WITHOUT WRITTEN PERMISSION FROM RARITAN, INC. THIS DRAWING IS BASED UPON LATEST AVAILABLE INFORMATION AND IS SUBJECT TO CHANGE WITHOUT NOTICE. </small>								