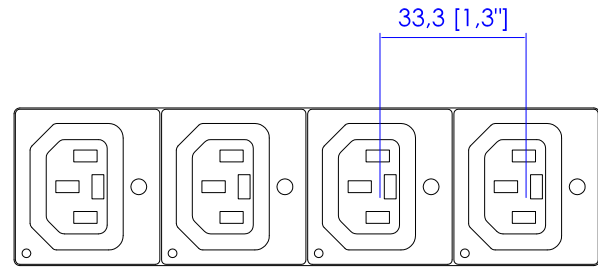


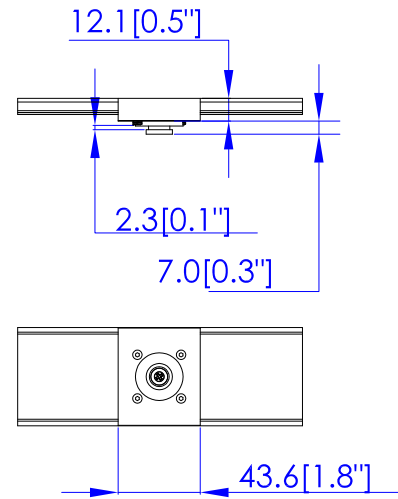
NEMA L6-30P

VIEW A

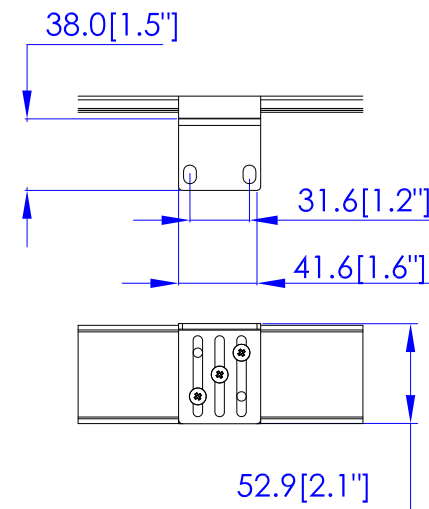


VIEW B

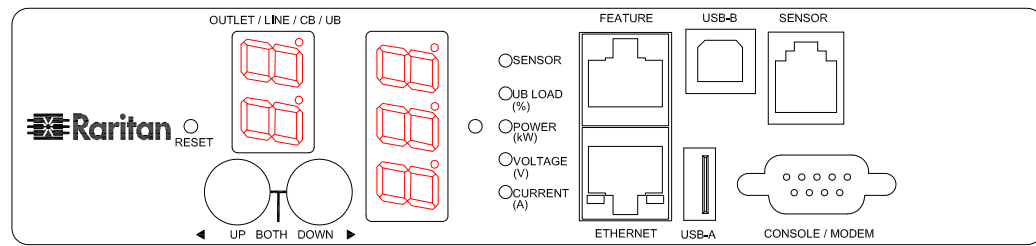
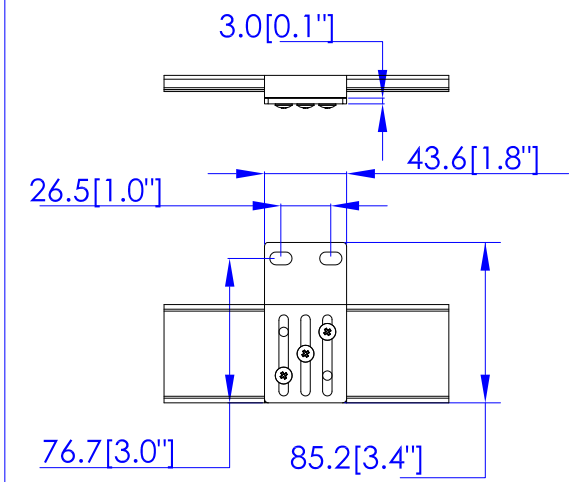
Option 1.



Option 2.

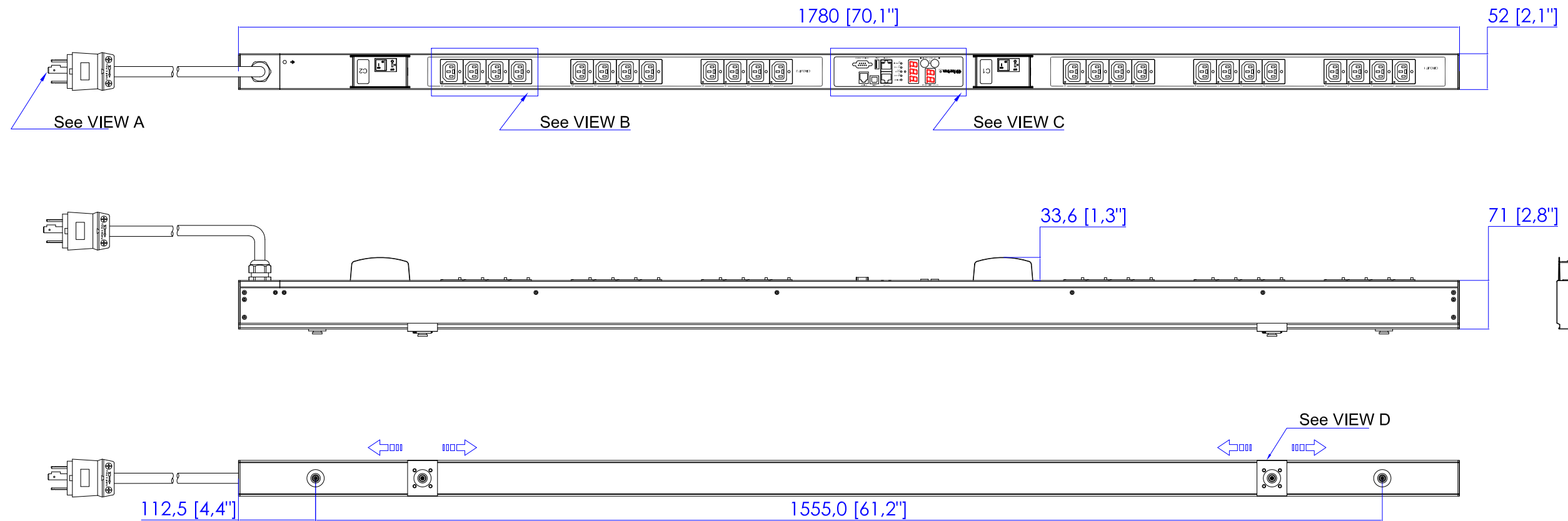


Option 3.



VIEW C

VIEW D



NOTES:
1. ALL DIMENSIONS ARE MILLIMETERS [INCHES].



DO NOT SCALE DRAWING

SHEET 1 OF 1

THIS DRAWING AND SPECIFICATIONS HEREIN ARE THE PROPERTY OF RARITAN, Inc. AND SHALL NOT BE COPIED, REPRODUCED OR USED, IN WHOLE OR IN PART, AS THE BASIS FOR THE MANUFACTURE OR SALE OF ITEMS WITHOUT WRITTEN PERMISSION FROM RARITAN, Inc. THIS DRAWING IS BASED UPON LATEST AVAILABLE INFORMATION AND IS SUBJECT TO CHANGE WITHOUT NOTICE.

TITLE: iPDU Zero U
Single Phase, 24A/200-240V
Plug Type: NEMA L6-30P
Outlet Type : (24) Locking C13

DWG NO. **MPX2-4496-E2 & MPX2-5496-E2**

REV. **0A**

Drawing Maker:	EVA LIN	Oct.05,2015
Design Engineer:	Siang_H	Oct.05,2015
Approver:	Tom_H	Oct.05,2015