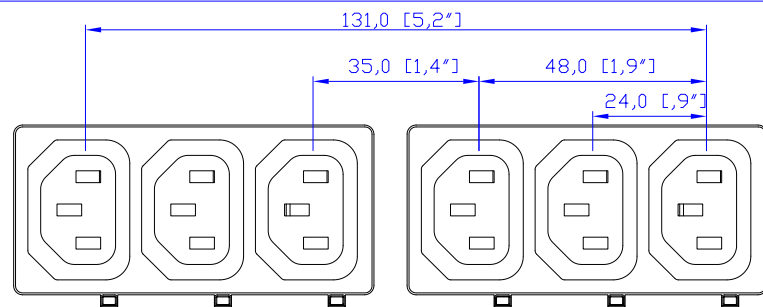


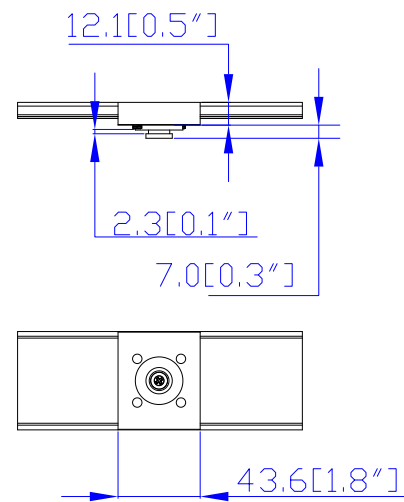
NEMA L6-30P

VIEW A

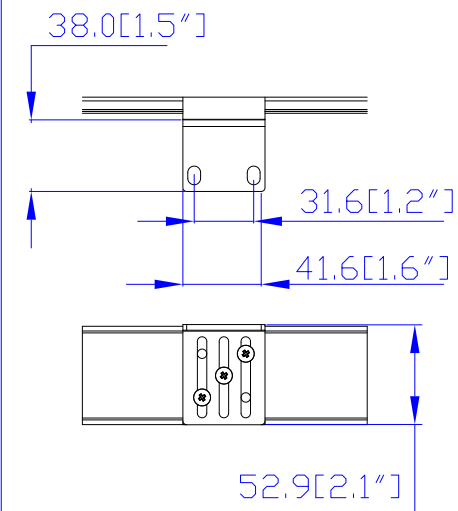


VIEW B

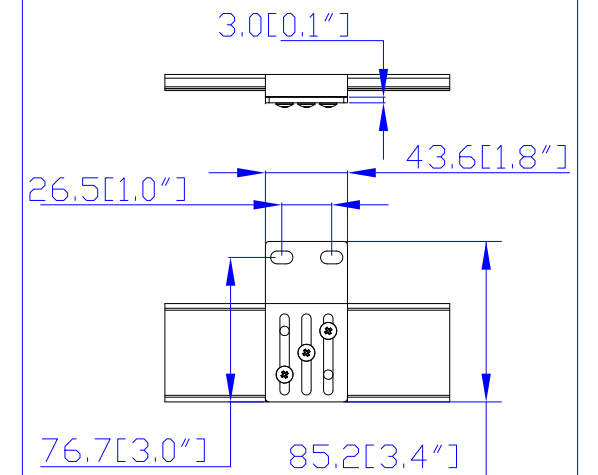
Option 1.



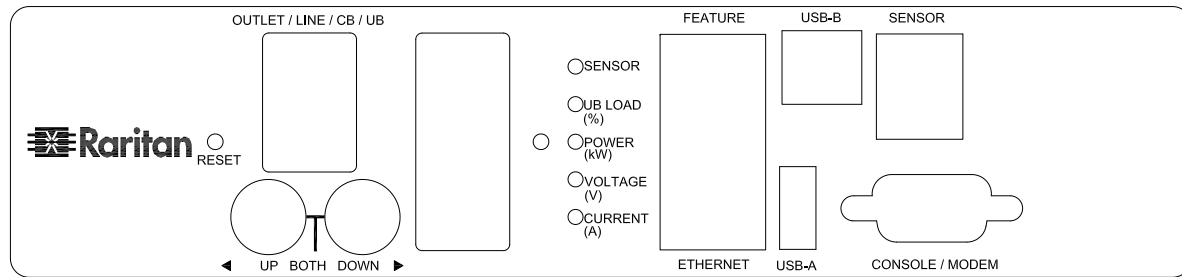
Option 2.



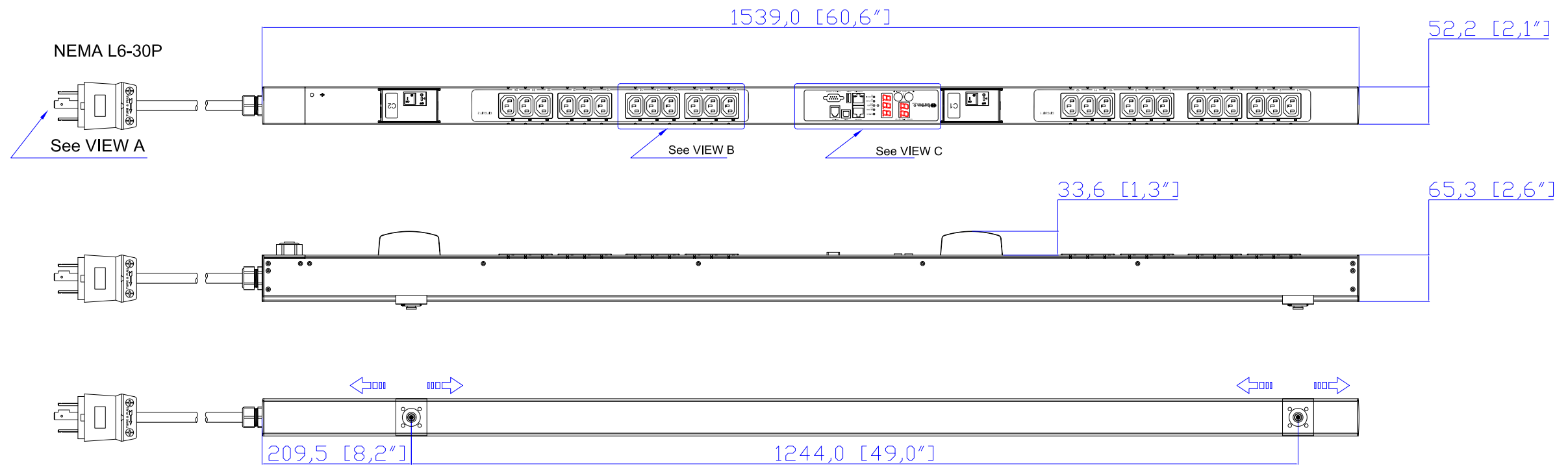
Option 3.



VIEW D



VIEW C



NOTES:
1. ALL DIMENSIONS ARE MILLIMETERS [INCHES].



DRAWN : EVALin Mar. 23,2012
ENGINEER: Kevin_L Mar. 23,2012
APPROVED: Tom_H Mar. 23,2012

PROJECTION THIRD ANGLE DO NOT SCALE DRAWING SHEET 1 OF 1

THIS DRAWING AND SPECIFICATIONS HEREIN ARE THE PROPERTY OF RARITAN, Inc. AND SHALL NOT BE COPIED, REPRODUCED OR USED, IN WHOLE OR IN PART, AS THE BASIS FOR THE MANUFACTURE OR SALE OF ITEMS WITHOUT WRITTEN PERMISSION FROM RARITAN, Inc. THIS DRAWING IS BASED UPON LATEST AVAILABLE INFORMATION AND IS SUBJECT TO CHANGE WITHOUT NOTICE.

TITLE: iPDU Zero U,
Single Phase, 24A/200V-240V,
Plug Type: NEMA L6-30P,
Outlet Type: (24) IEC320 C13

DWG NO. MPX2-4496V & MPX2-5496V REV. A