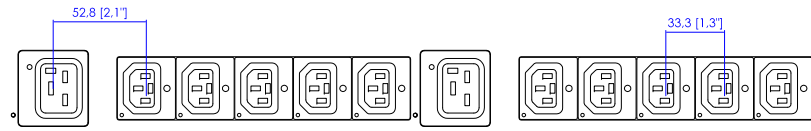
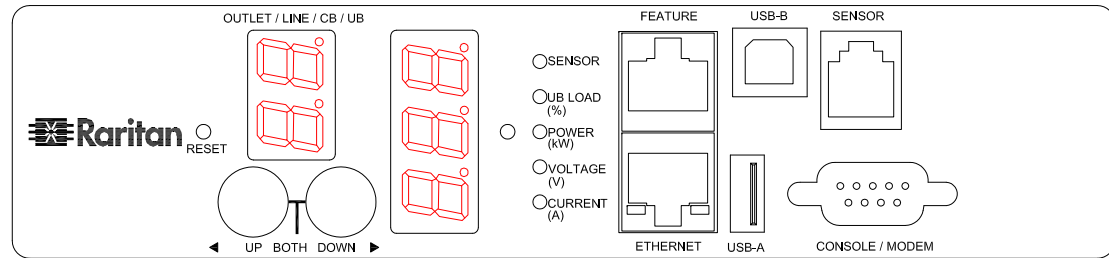


NEMA L6-30P

VIEW A

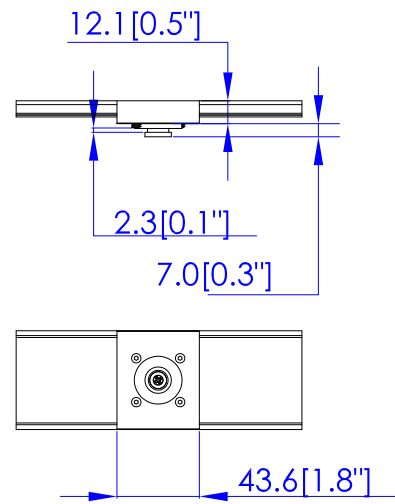


VIEW B

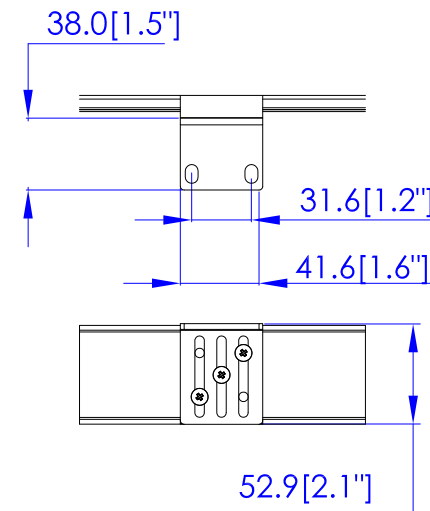


VIEW C

Option 1.

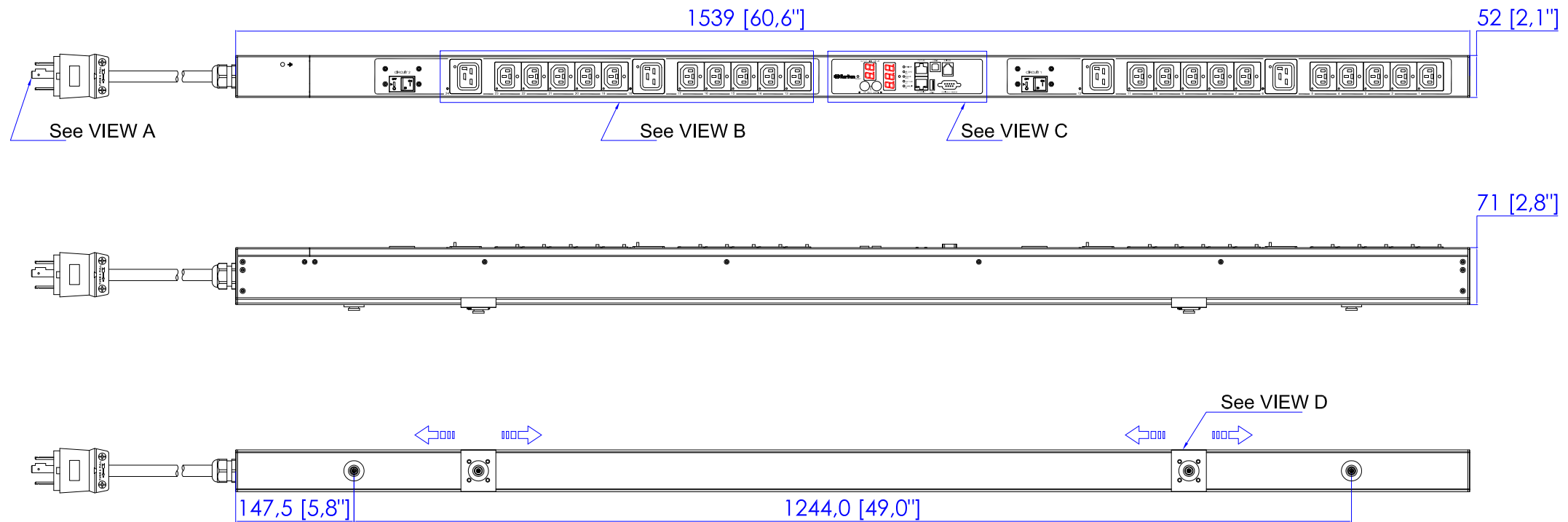
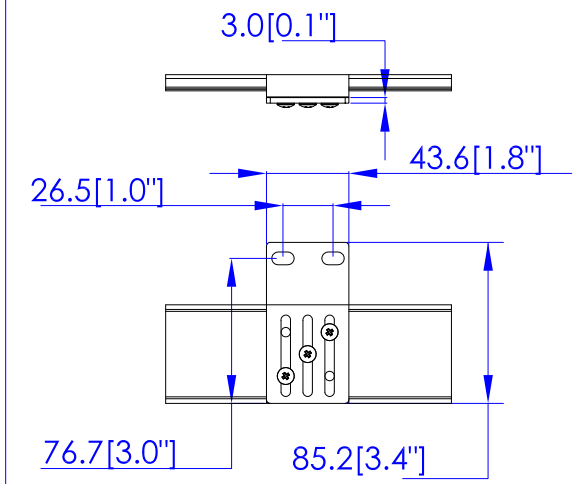


Option 2.



VIEW D

Option 3.



NOTES:

1. ALL DIMENSIONS ARE MILLIMETERS [INCHES].



DO NOT SCALE DRAWING
SHEET 1 OF 1
 THIS DRAWING AND SPECIFICATIONS HEREIN ARE THE PROPERTY OF RARITAN, Inc. AND SHALL NOT BE COPIED, REPRODUCED OR USED, IN WHOLE OR IN PART, AS THE BASIS FOR THE MANUFACTURE OR SALE OF ITEMS WITHOUT WRITTEN PERMISSION FROM RARITAN, Inc. THIS DRAWING IS BASED UPON LATEST AVAILABLE INFORMATION AND IS SUBJECT TO CHANGE WITHOUT NOTICE.

TITLE:
 iPDU Zero U
 Single Phase, 24A/200-240V
 Plug Type: NEMA L6-30P
 Output Type: (20)Locking C13,(4)Locking C19

Drawing Maker:	EVA LIN	Jun. 16, 2016
Design Engineer:	Kenny_C	Jun. 16, 2016
Approver:	Tom_H	Jun. 16, 2016

DWG NO. **MPX2-4497U-E2 & MPX2-5497U-E2** REV. **0A**