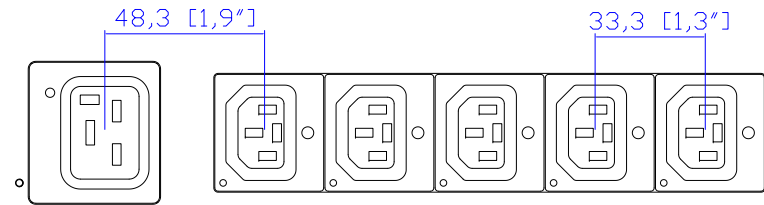
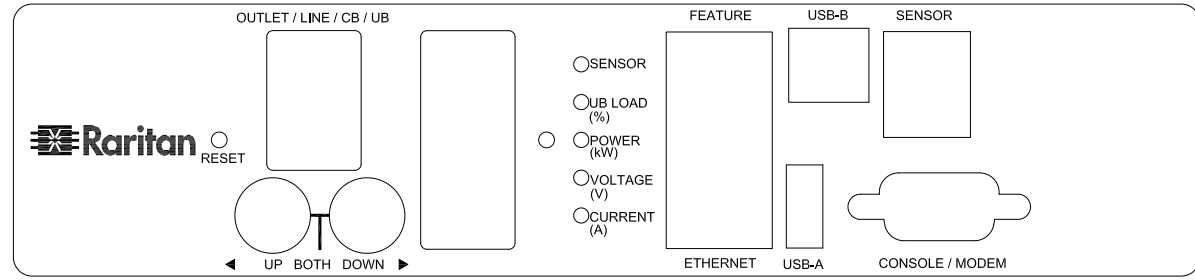


NEMA L6-30P

VIEW A

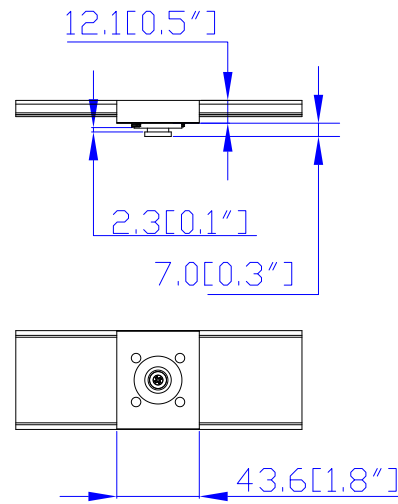


VIEW B

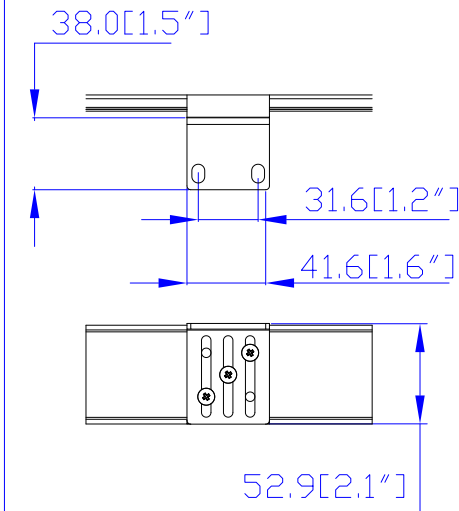


VIEW C

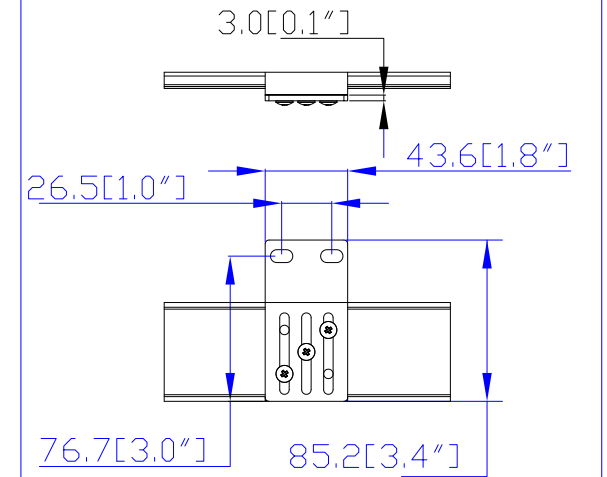
Option 1.



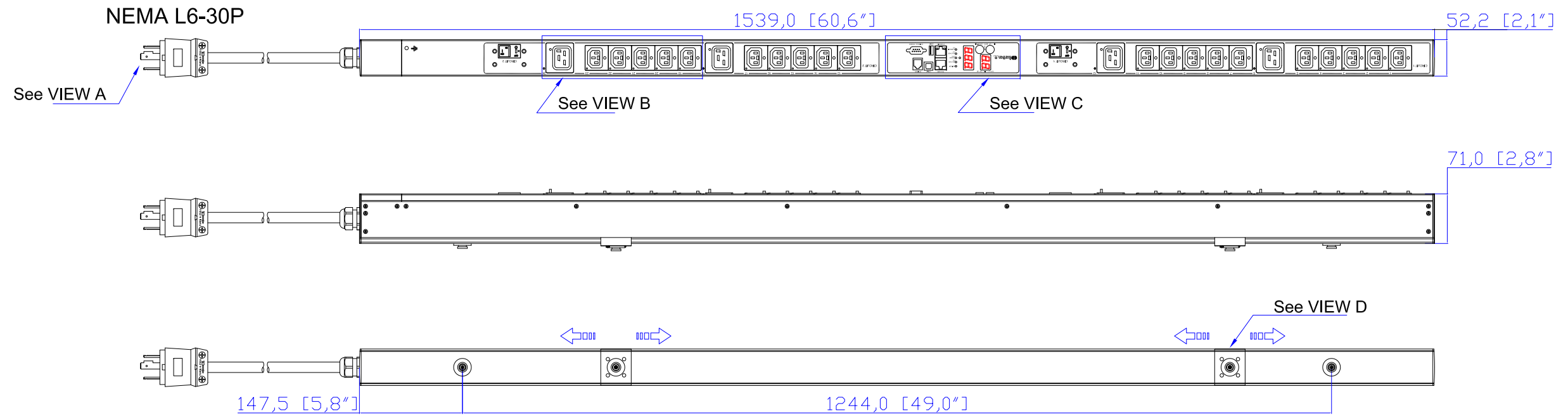
Option 2.



Option 3.



VIEW D



NOTES:
1.ALL DIMENSIONS ARE MILLIMETERS[INCHES].



DRAWN : EVA LIN Sep.05,2013
ENGINEER: Siang_H Sep.05,2013
APPROVED: Tom_H Sep.05,2013



DO NOT SCALE DRAWING
SHEET 1 OF 1

THIS DRAWING AND SPECIFICATIONS HEREIN ARE THE PROPERTY OF RARITAN, INC. AND SHALL NOT BE COPIED, REPRODUCED OR USED, IN WHOLE OR IN PART, AS THE BASIS FOR THE MANUFACTURE OR SALE OF ITEMS WITHOUT WRITTEN PERMISSION FROM RARITAN, INC. THIS DRAWING IS BASED UPON LATEST AVAILABLE INFORMATION AND IS SUBJECT TO CHANGE WITHOUT NOTICE.

TITLE: iPDU Zero U,
Single Phase, 24A/200V-240V,
Plug Type:NEMA L6-30P ,
Output Type: (20)Locking IEC320 C13,
(4)Locking IEC320 C19

DWG NO. **MPX2-4497V-E2 & MPX2-5497V-E2**

REV. **A**