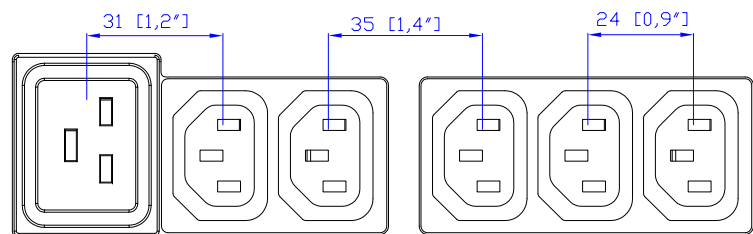
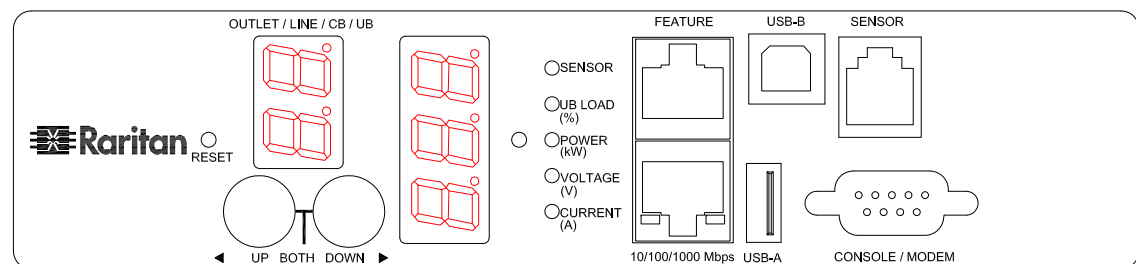


NEMA L6-30P  
VIEW A

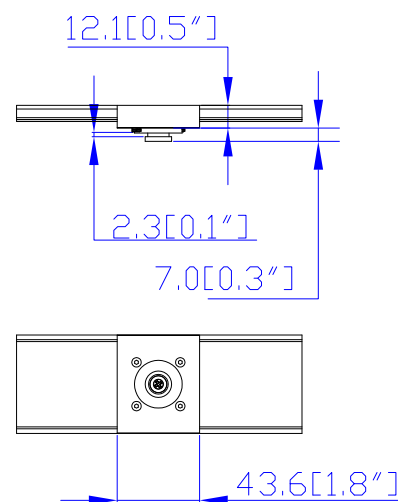


VIEW B

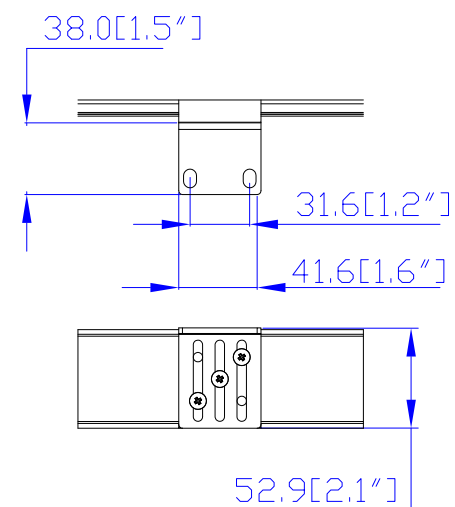


VIEW C

Option 1.

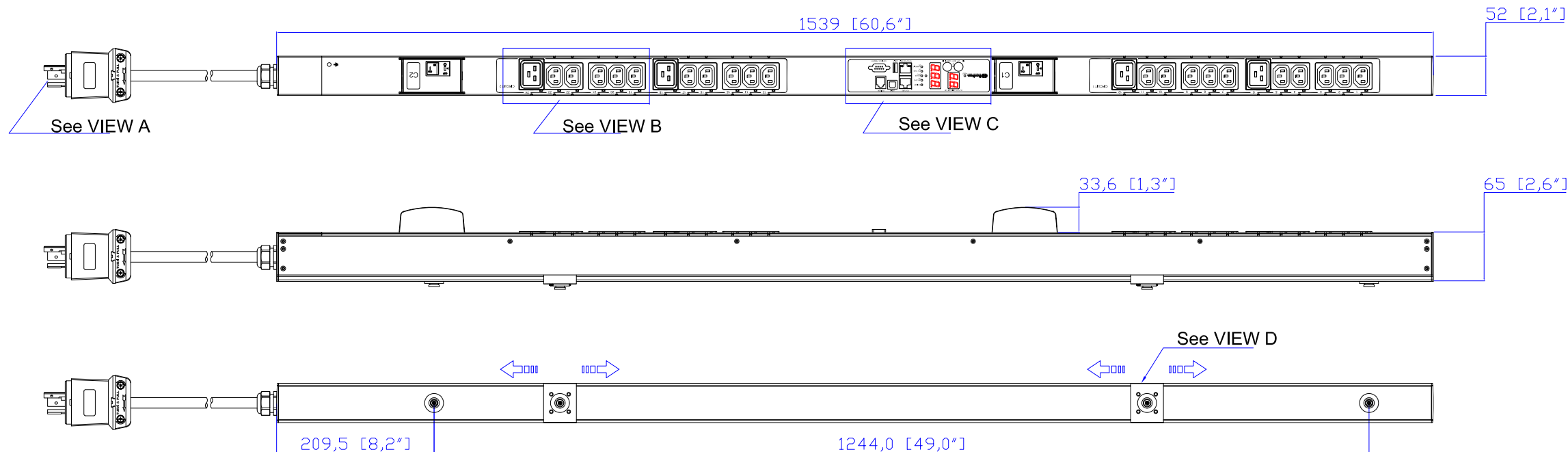
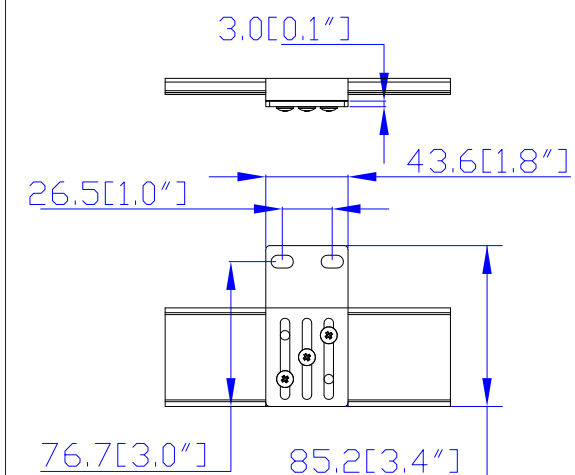


Option 2.



VIEW D

Option 3.



NOTES:  
1. ALL DIMENSIONS ARE MILLIMETERS [INCHES].



Drawing Maker: EVA LIN Aug. 04, 2016  
Design Engineer: Siang\_H Aug. 04, 2016  
Approver: Tom\_H Aug. 04, 2016



PROJECTION  
THIRD ANGLE  
DO NOT SCALE DRAWING  
**SHEET 1 OF 1**  
THIS DRAWING AND SPECIFICATIONS HEREIN ARE THE PROPERTY OF RARITAN, INC. AND SHALL NOT BE COPIED, REPRODUCED OR USED, IN WHOLE OR IN PART, AS THE BASIS FOR THE MANUFACTURE OR SALE OF ITEMS WITHOUT WRITTEN PERMISSION FROM RARITAN, INC. THIS DRAWING IS BASED UPON LATEST AVAILABLE INFORMATION AND IS SUBJECT TO CHANGE WITHOUT NOTICE.

TITLE:  
iPDU Zero U  
Single Phase, 24A/200-240V  
Plug Type: NEMA L6-30P  
Outlet Type: (20)IEC320 C13 & (4)IEC320 C19.  
DWG NO. **MPX2-5497V-G1 & MPX2-4497V-G1**  
REV. **0A**