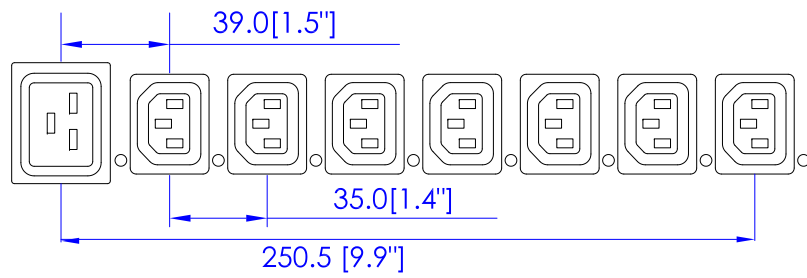
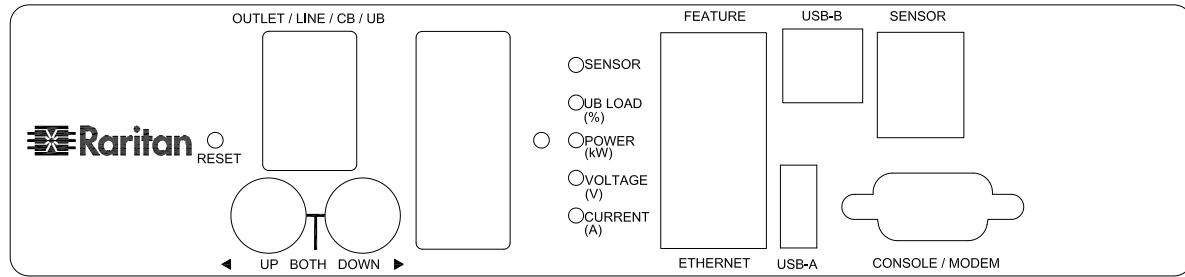


NEMA L21-30P

VIEW A

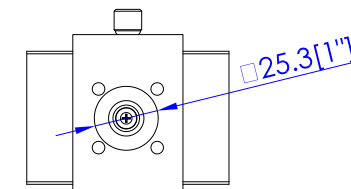
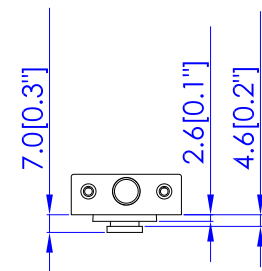


VIEW B

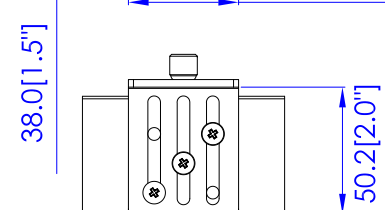
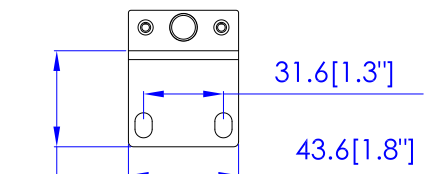


VIEW C

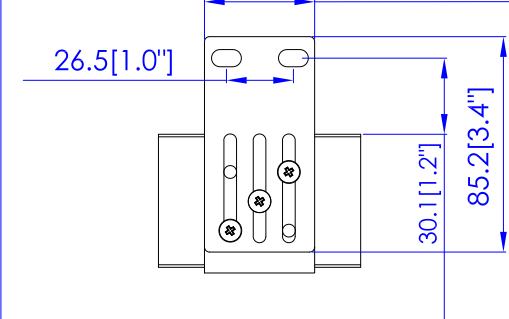
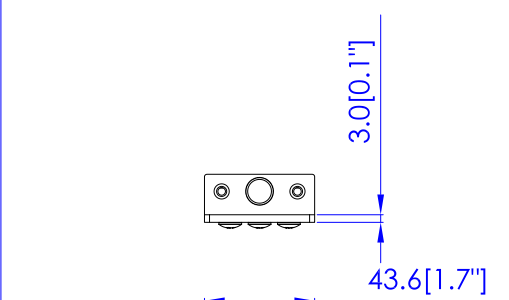
Option 1.



Option 2.

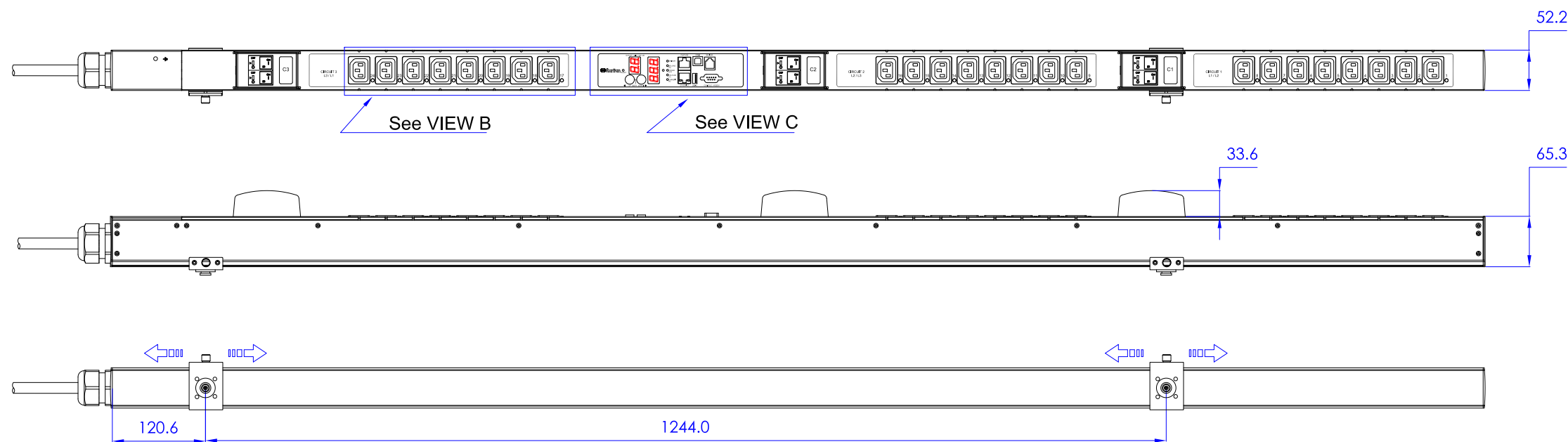
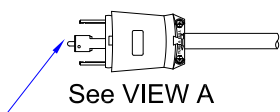


Option 3.



VIEW D

NEMA L21-30P



NOTES:

1. ALL DIMENSIONS ARE MILLIMETERS [INCHES].



DRAWN : EVA LIN Mar. 23, 2012
 ENGINEER: Siang_H Mar. 23, 2012
 APPROVED: Tom_H Mar. 23, 2012



PROJECTION THIRD ANGLE
 DO NOT SCALE DRAWING
SHEET 1 OF 1

THIS DRAWING AND SPECIFICATIONS HEREIN ARE THE PROPERTY OF RARITAN, INC. AND SHALL NOT BE COPIED, REPRODUCED OR USED, IN WHOLE OR IN PART, AS THE BASIS FOR THE MANUFACTURE OR SALE OF ITEMS WITHOUT WRITTEN PERMISSION FROM RARITAN, INC. THIS DRAWING IS BASED UPON LATEST AVAILABLE INFORMATION AND IS SUBJECT TO CHANGE WITHOUT NOTICE.

TITLE: iPDU Zero U,
 Three phase 24A / 190V-208V
 Plug Type: NEMA L21-30P
 Outlet Type: (24) IEC320 C13

DWG NO. **MPX2-4520U & MPX2-5520U** REV. **A**