

Technical Specifications / Engineering Submittals

Raritan Model Number: PX2-4525U-E2

rev20191212

LINE DRAWING



FEATURES

Energy Metering	Voltage (V), Current (A), Active Power (kW), Real Power (kVA), Energy (kWh), Power Factor
Metering Accuracy	ISO/IEC 62053-21 1%
Metering per Input Line	Yes
Metering per Branch Circuit Breaker	Yes
Metering per Output Receptacle	Yes
Remote Outlet Switching	No
Environmental Sensor Ready	Yes
Replaceable Controller	No
Compatible Sensors	Temperature, Humidity, Air Flow, Differential Pressure, Water Leak, and Contact Closure
Networking	(10/100 BaseT) Ethernet port. Optional WiFi (802.11a/b/g/n)
Remote Management	HTTP(s); SSH; Telnet; RS-232 (Serial); Power IQ; SNMP version v2/v3; SMTP; JSON-RPC
Cascading	Yes, Max 8 PDUs can be daisy chained using USB connection
Onboard Display	3-digit LED user-selectable display : Voltage, current, or active power (per line, per breaker or per receptacle / outlet); Auto-flip orientation
Embedded Processor	ARM9 400MHZ (Atmel SAM9G20), 16MB NOR Flash, 64MB SDRAM

Technical Specifications / Engineering Submittals

Raritan Model Number: PX2-4525U-E2

rev20191212

INPUT

Input Plug	NEMA L15-30P (3P4W)
Cord Length	3 meters (9.84 feet) standard
Cord Entry	Top-end feed
Cable Type	IP44("splashproof")
Number of Power Cords	1
Maximum Input Current	30A
Nominal Input Voltage	208V 3 phase
Rated Input Voltage	208 - 240V 3 phase
Input Frequency	50/60Hz
Power Capacity	8.6kVA at 208V, 10.0kVA at 240V

OUTPUT

Nominal Output Voltage	208V
Rated Output Voltage	208 - 240V
Receptacles (Output Connections)	(18) IEC60320 C13 Locking, 12A (6) IEC60320 C19 Locking, 16A
Securelock Support	Yes
Cord Retention	No
Overload Protection	(3) LEGBX66-20

PHYSICAL

Color	Black powder coat (custom colors available)
Unit Dimensions (WxDxH)	2.1" x 2.6" x 70.1" ; 52mm x 65mm x 1780mm
Unit Weight	TBD
Shipping Weight	TBD
Shipping Dimensions (WxDxH)	19.69" x 6.3" x 88.19" ; 500mm x 160mm x 2240mm
Mounting	G2-RACK-FOR-ZU

Technical Specifications / Engineering Submittals

Raritan Model Number: PX2-4525U-E2

rev20191212

ENVIRONMENTAL

Operating Temperature	60°C
Operating Relative Humidity	85%
Operating Elevation	0-6000ft

CONFORMANCE

Regulatory Approvals	UL Listed, Canada ICES-003, Part 15 Class A of the FCC rules, RoHS compliant
Warranty	Standard 2 years manufacturer warranty

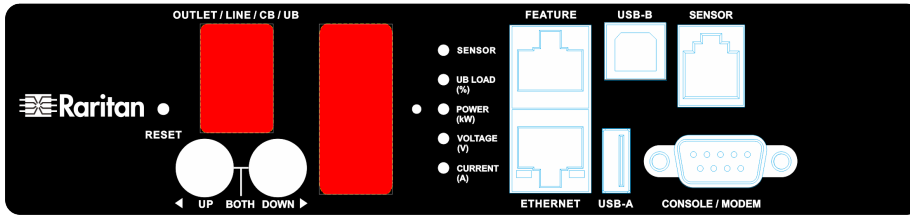
Technical Specifications / Engineering Submittals

Raritan Model Number: PX2-4525U-E2

rev20191212

CONTROL PANEL

Dimension: 188mm x 43mm

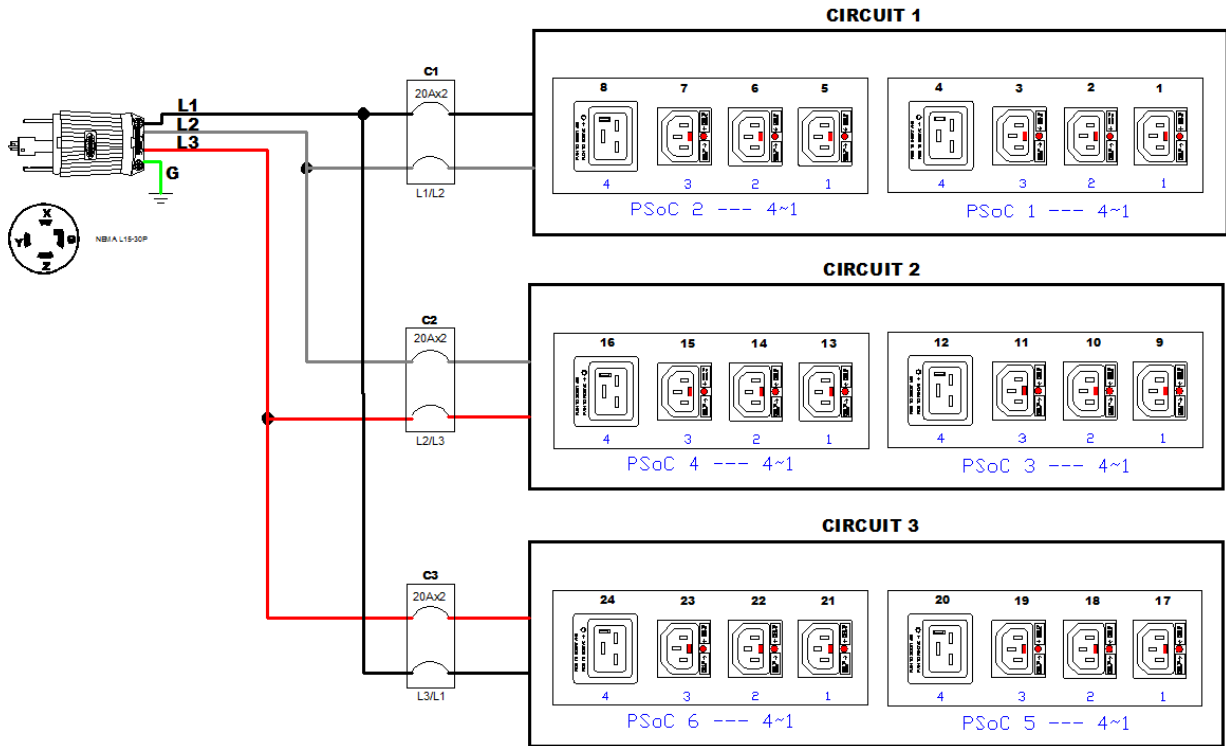


Technical Specifications / Engineering Submittals

Raritan Model Number: PX2-4525U-E2

rev20191212

ELECTRICAL (ONE LINE) DIAGRAM

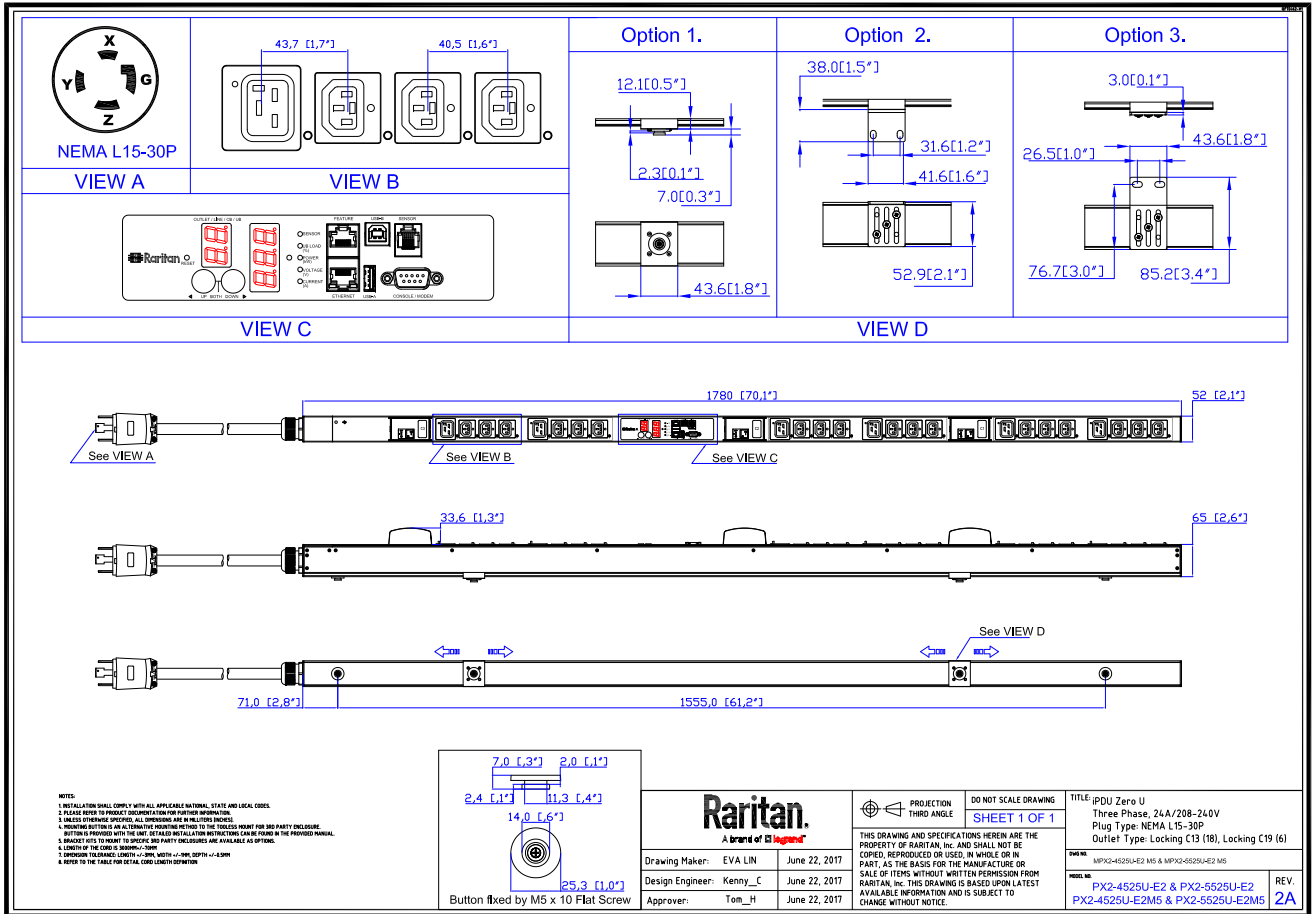


Technical Specifications / Engineering Submittals

Raritan Model Number: PX2-4525U-E2

rev20191212

MECHANICAL DIAGRAM



NOTES:
 1. INSTALLATION SHALL COMPLY WITH ALL APPLICABLE NATIONAL, STATE AND LOCAL CODES.
 2. PLEASE REFER TO PRODUCT DOCUMENTATION FOR FURTHER INFORMATION.
 3. ALWAYS STRIKE PROTECTIVE ALL PROTECTORS AND BY-LATCHES BEFORE.
 4. MOUNTING BOTTOM IS AN ALTERNATE MOUNTING METHOD TO THE TOPLESS MOUNT FOR 3RD PARTY ENCLOSURE.
 BOTTOM IS PROVIDED WITH THE UNIT. SET SCREW MOUNTING METHOD CAN BE FOUND IN THE PROVIDED MANUAL.
 5. MOUNT WITH THE FRONT TO THE FRONT AND PARTY ENCLOSURES ARE AVAILABLE AS OPTIONS.
 6. LENGTH OF THE CORD IS 2000MM ± 50MM.
 7. THROUGH THE WALL: LENGTH = 100MM WITH 1-1/2" DEPTH + 1/2" DIA.
 8. REFER TO THE TABLE FOR DETAIL CORD LENGTH INFORMATION.

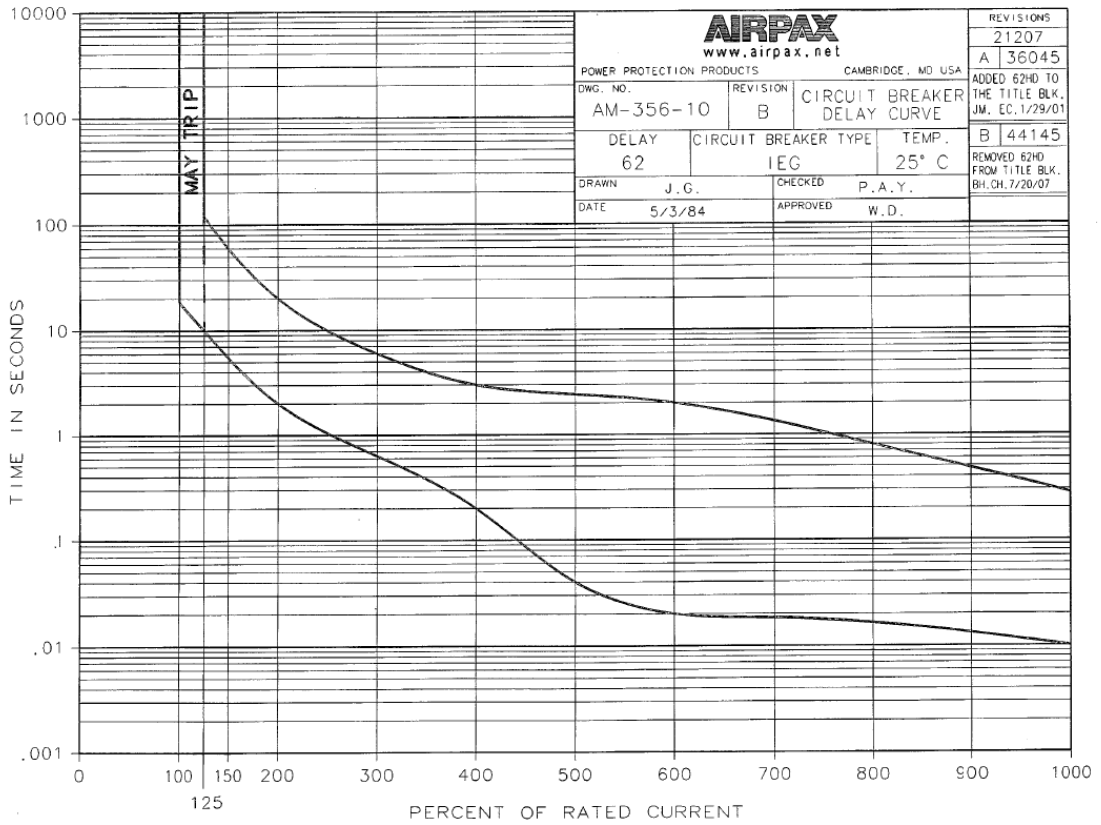
<p>Raritan A brand of Legrand</p>		PROJECTION THIRD ANGLE DO NOT SCALE DRAWING SHEET 1 OF 1	TITLE: pDU Zero U Three Phase, 24A/208-240V Plug Type: NEMA L15-30P Outlet Type: Locking C19 (18), Locking C19 (6)
Drawing Maker: EVA LIN Design Engineer: Kenny_C Approver: Tom_H	June 22, 2017 June 22, 2017 June 22, 2017	THIS DRAWING AND SPECIFICATIONS HEREIN ARE THE PROPERTY OF RARITAN, INC. AND SHALL NOT BE COPIED, REPRODUCED OR USED, IN WHOLE OR IN PART, AS THE BASIS FOR THE MANUFACTURE OR SALE OF ITEMS WITHOUT WRITTEN PERMISSION FROM RARITAN, INC. THIS DRAWING IS BASED UPON THE LATEST AVAILABLE INFORMATION AND IS SUBJECT TO CHANGE WITHOUT NOTICE.	PART NO: MPX2-4525U-E2 M5 & MPX2-5525U-E2 M5 MODEL NO: PX2-4525U-E2 & PX2-5525U-E2 PX2-4525U-E2M5 & PX2-5525U-E2M5 REV. 2A

Technical Specifications / Engineering Submittals

Raritan Model Number: PX2-4525U-E2

rev20191212

TRIP CURVE



C-1009-1 5/98 32556

0
C