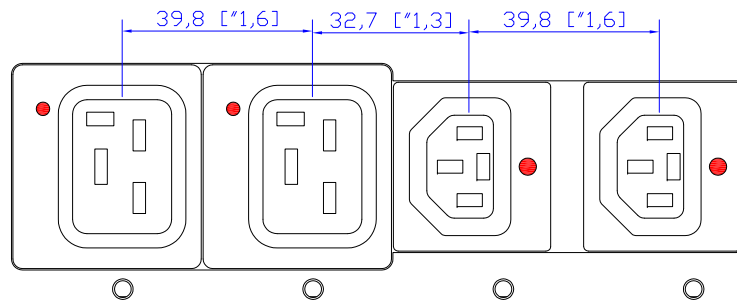
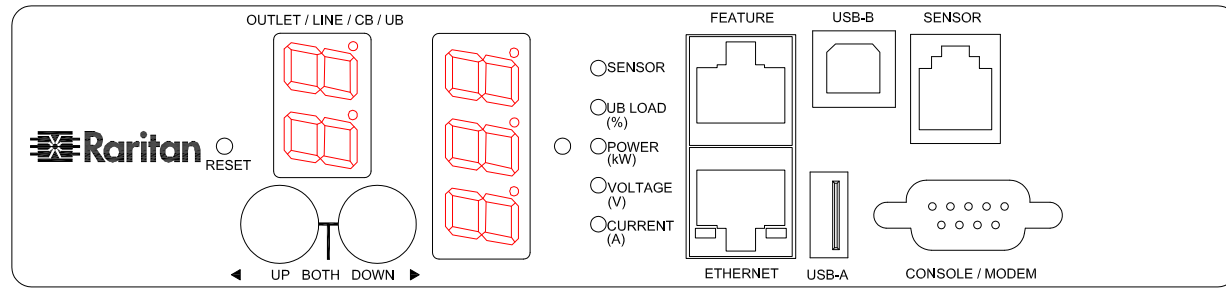


IEC60309 60A 3P

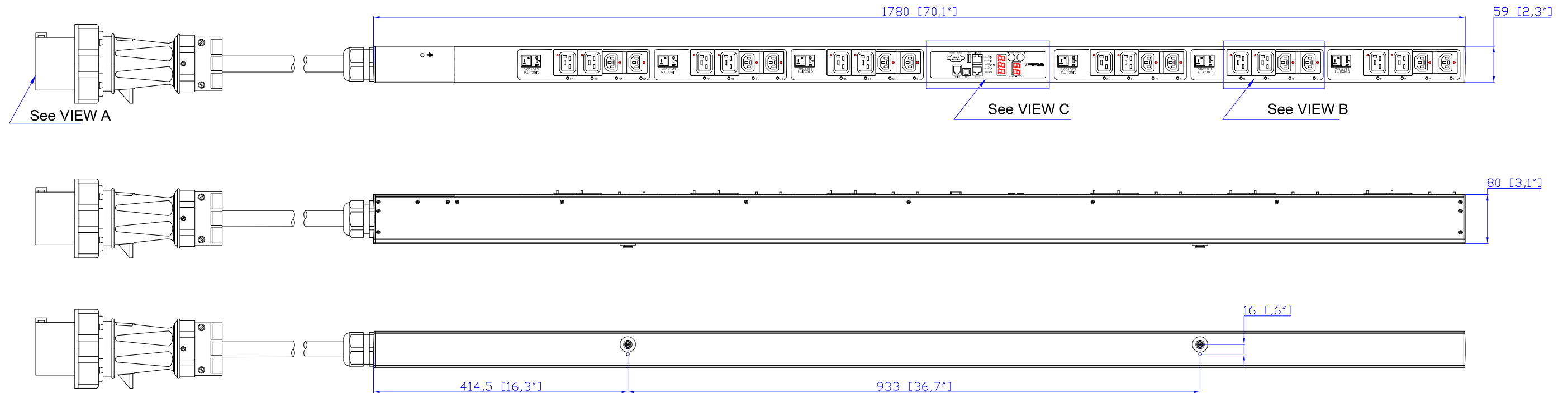
VIEW A



VIEW B



VIEW C



NOTES:
1.ALL DIMENSIONS ARE MILLIMETERS[INCHES].



DO NOT SCALE DRAWING

SHEET 1 OF 1

THIS DRAWING AND SPECIFICATIONS HEREIN ARE THE PROPERTY OF RARITAN, INC. AND SHALL NOT BE COPIED, REPRODUCED OR USED, IN WHOLE OR IN PART, AS THE BASIS FOR THE MANUFACTURE OR SALE OF ITEMS WITHOUT WRITTEN PERMISSION FROM RARITAN, INC. THIS DRAWING IS BASED UPON LATEST AVAILABLE INFORMATION AND IS SUBJECT TO CHANGE WITHOUT NOTICE.

Drawing Maker: EVA LIN Aug. 25,2015

Approver: Tom_H Aug. 25,2015

TITLE:
iPDU Zero U
Three phase 48A / 208-240V
Plug Type: IEC60309 60A 3P
Output Type:(12)LockingC13,(12)LockingC19

DWG NO. **MPX2-4551V-E2V2** REV. **0B**