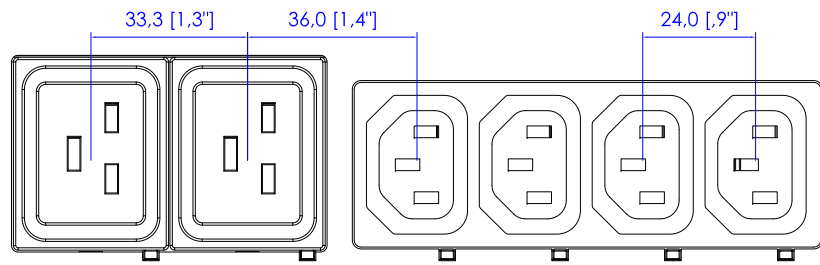


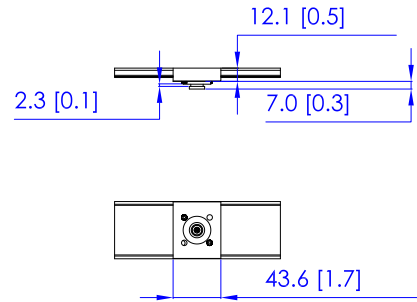
NEMA L15-30P

VIEW A

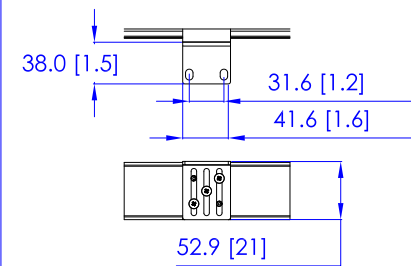


VIEW B

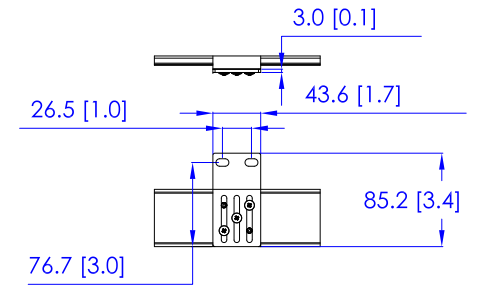
Option 1.



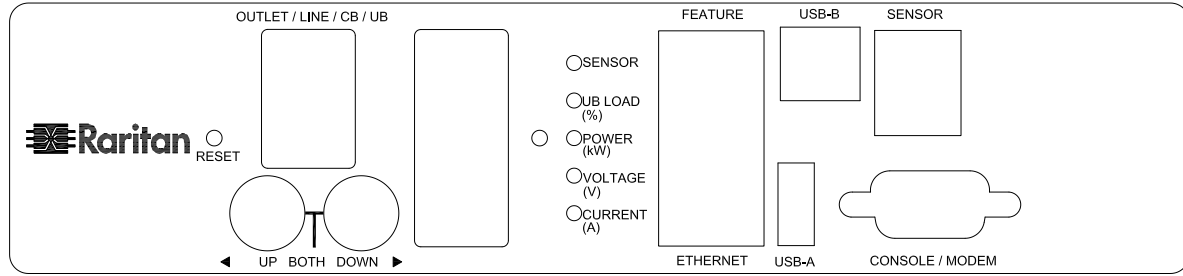
Option 2.



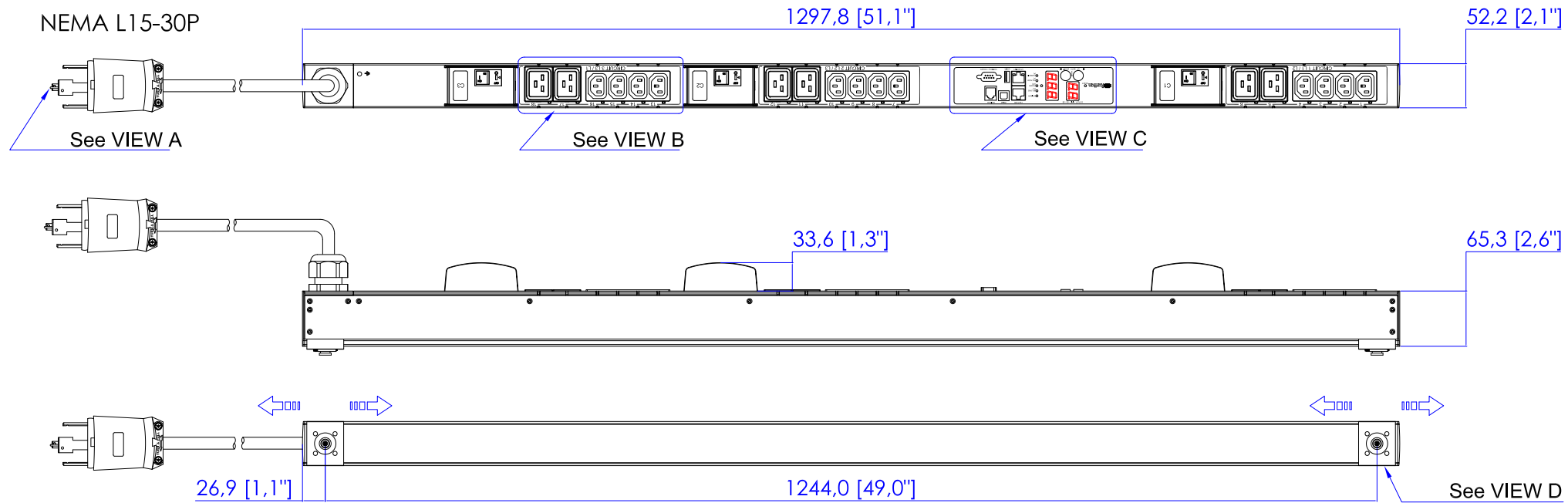
Option 3.



VIEW D



VIEW C



NOTES:
1. ALL DIMENSIONS ARE MILLIMETERS [INCHES].



DRAWN : EVA Lin Nov. 26, 2012
ENGINEER: Siang_H Nov. 26, 2012
APPROVED: Tom_H Nov. 26, 2012



DO NOT SCALE DRAWING
SHEET 1 OF 1

THIS DRAWING AND SPECIFICATIONS HEREIN ARE THE PROPERTY OF RARITAN, INC. AND SHALL NOT BE COPIED, REPRODUCED OR USED, IN WHOLE OR IN PART, AS THE BASIS FOR THE MANUFACTURE OR SALE OF ITEMS WITHOUT WRITTEN PERMISSION FROM RARITAN, INC. THIS DRAWING IS BASED UPON LATEST AVAILABLE INFORMATION AND IS SUBJECT TO CHANGE WITHOUT NOTICE.

TITLE: iPDU Zero U,
Three phase 24A / 208V-240V
Plug Type: NEMA L15-30P
Outlet Type: (12) IEC320 C13 ,
(6) IEC320 C19

DWG NO. MPX2-4599-N2 & MPX2-5599-N2

REV. A