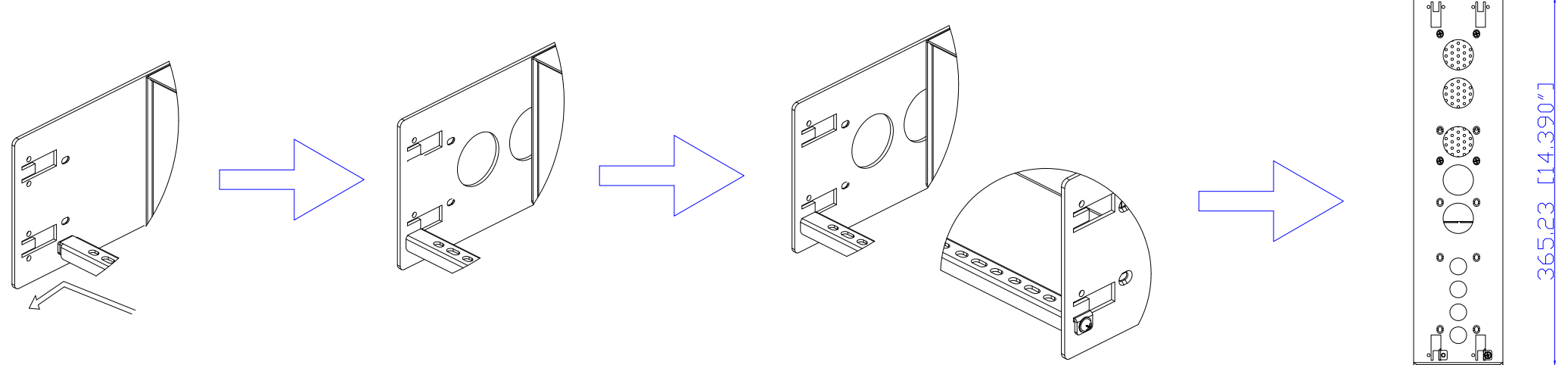


NEMA L15-30P

VIEW A

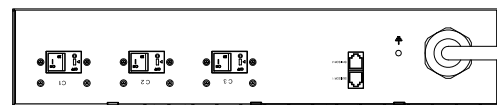


VIEW B

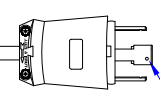
88.10 [3.471"]

365.23 [14.390"]

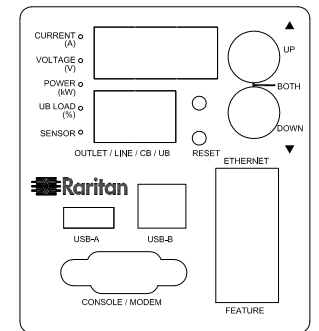
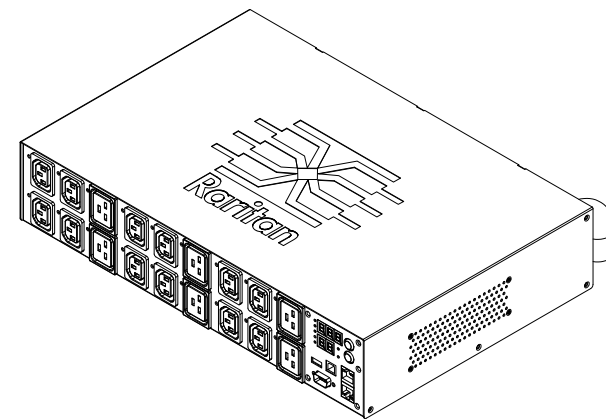
Rear



NEMA L15-30P

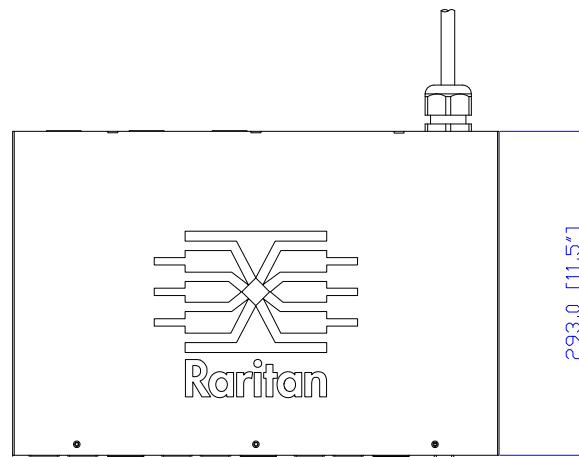


See VIEW A



VIEW C

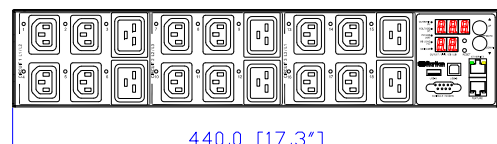
TOP



293.0 [11.5"]

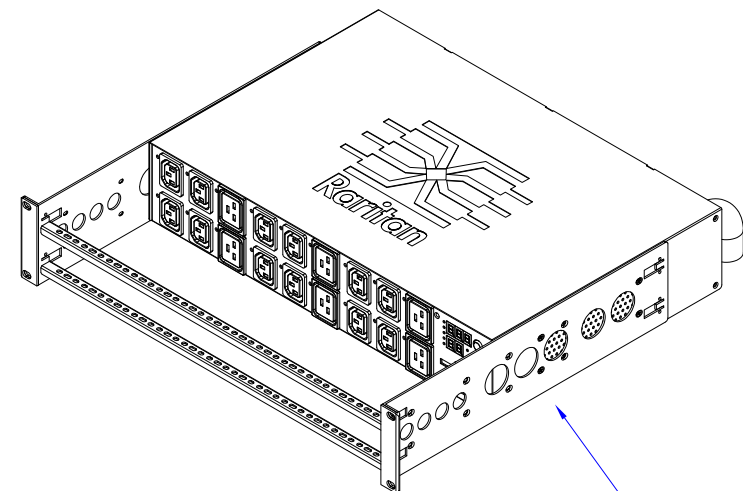
88.3 [3.5"]

Front



440.0 [17.3"]

See VIEW C



See VIEW B

NOTES:
ALL DIMENSIONS ARE MILLIMETERS[INCHES].



PROJECTION
THIRD ANGLE

DO NOT SCALE DRAWING

SHEET 1 OF 1

DRAWN : Eva Lin Jun. 23, 2014
ENGINEER: Siang_H Jun. 23, 2014
APPROVED: Tom_H Jun. 23, 2014

THIS DRAWING AND SPECIFICATIONS HEREIN ARE THE PROPERTY OF RARITAN, INC. AND SHALL NOT BE COPIED, REPRODUCED OR USED, IN WHOLE OR IN PART, AS THE BASIS FOR THE MANUFACTURE OR SALE OF ITEMS WITHOUT WRITTEN PERMISSION FROM RARITAN, INC. THIS DRAWING IS BASED UPON LATEST AVAILABLE INFORMATION AND IS SUBJECT TO CHANGE WITHOUT NOTICE.

TITLE:
iPDU Two U,
Three phase, 24 A/208V-240V
Plug Type: NEMA L15-30P,
Outlet Type:(12)IEC32 C13 ,(6)IEC32 C19

DWG NO.
MPX2-4599R & MPX2-5599R

REV.
A