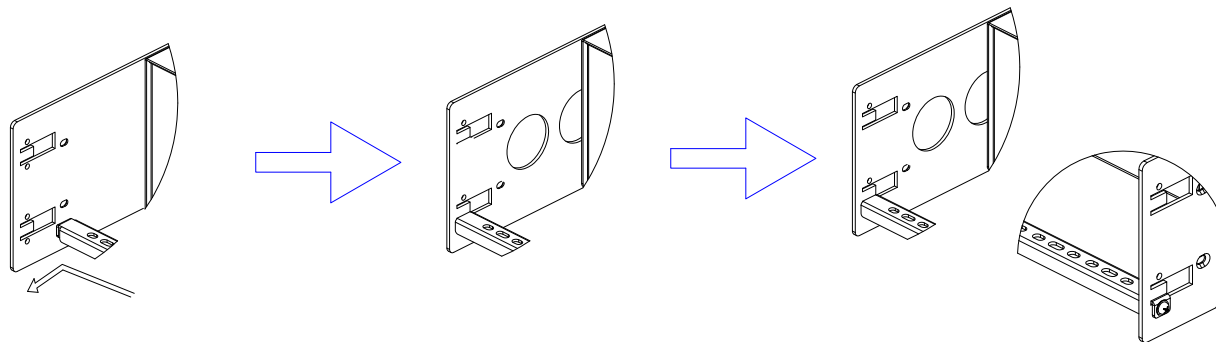
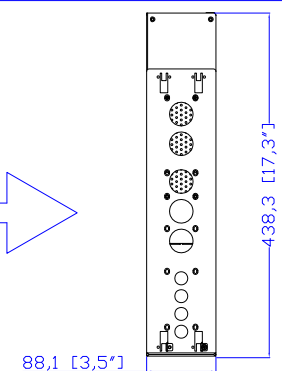


CS8365C

VIEW A

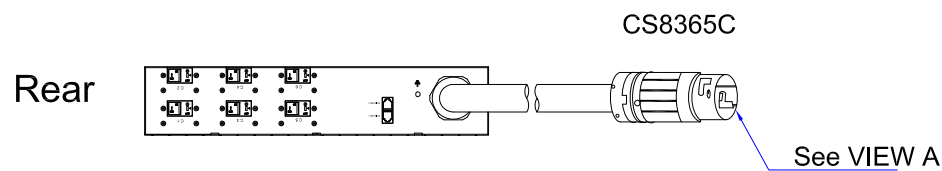


VIEW B



88,1 [3,5"]

438,3 [17,3"]

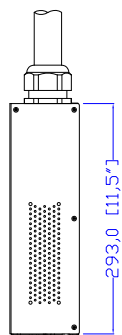
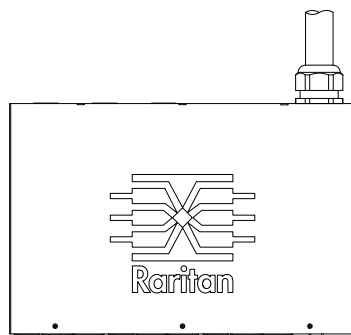


Rear

CS8365C

See VIEW A

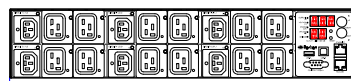
TOP



88,0 [3,5"]

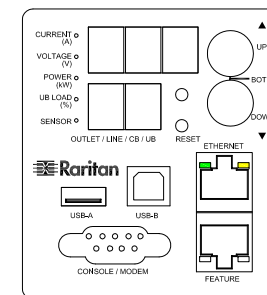
293,0 [11,5"]

Front

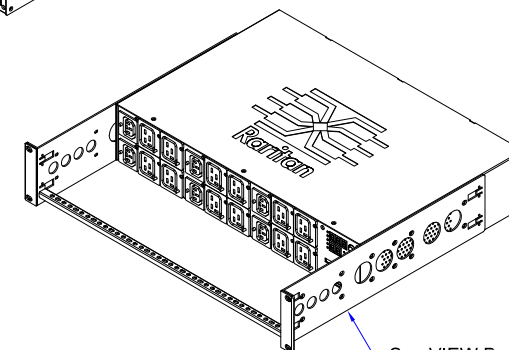
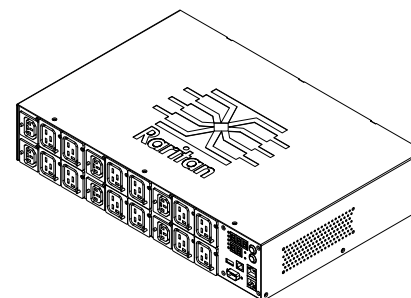


440,0 [17,3"]

See VIEW C



VIEW C



See VIEW B

NOTES:
ALL DIMENSIONS ARE MILLIMETERS[INCHES].

		PROJECTION THIRD ANGLE	DO NOT SCALE DRAWING	TITLE: iPDU Two U, Three phase, 40A/208V-240V Plug Type: CS8365C Outlet Type: (6) Locking C13, (12) Locking C19	
			SHEET 1 OF 1		
DRAWN : Eva Lin	Sep. 19. 2014	THIS DRAWING AND SPECIFICATIONS HEREIN ARE THE PROPERTY OF RARITAN, INC. AND SHALL NOT BE COPIED, REPRODUCED OR USED, IN WHOLE OR IN PART, AS THE BASIS FOR THE MANUFACTURE OR SALE OF ITEMS WITHOUT WRITTEN PERMISSION FROM RARITAN, INC. THIS DRAWING IS BASED UPON LATEST AVAILABLE INFORMATION AND IS SUBJECT TO CHANGE WITHOUT NOTICE.		DWG NO. MPX2-4611R-E2 & MPX2-5611R-E2	
ENGINEER: Sam Liu	Sep. 19. 2014				REV. 0A
APPROVED: Tom Hsueh	Sep. 19. 2014				