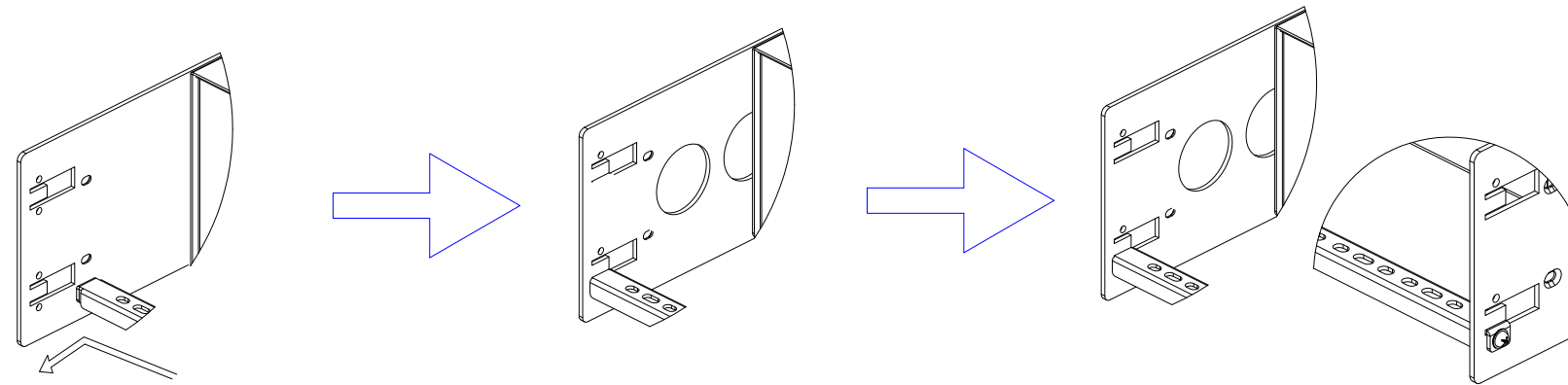


CS8365C

VIEW A

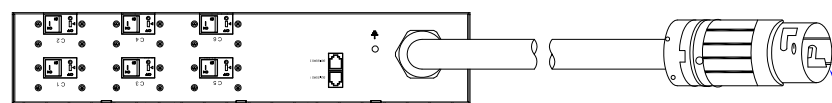


VIEW B

88.1 [3.5"]

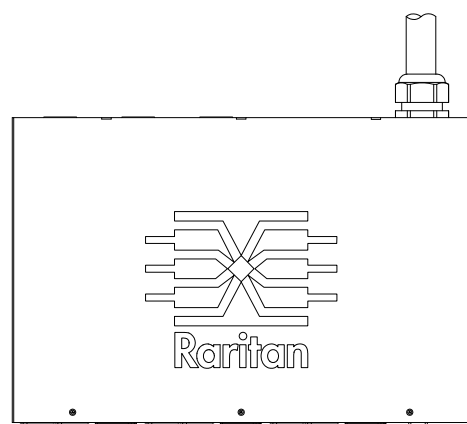
365.3 [14.4"]

Rear



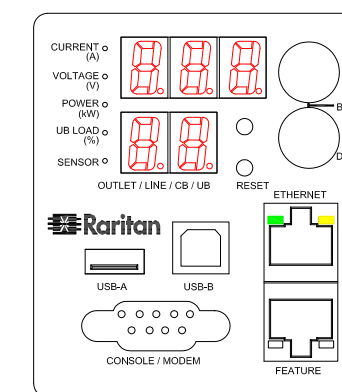
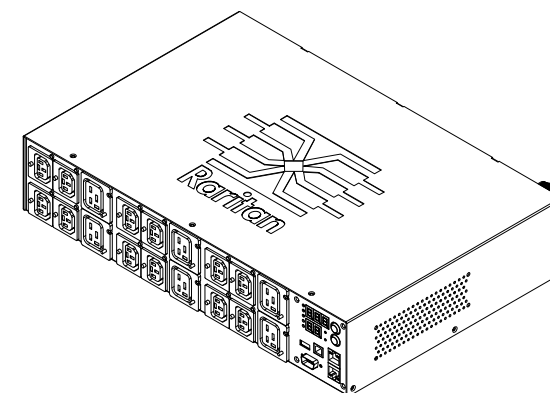
See VIEW A

TOP



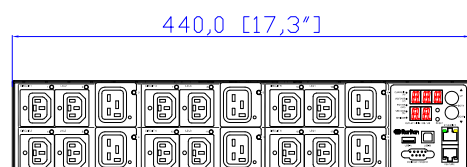
293,0 [11,5"]

88[3,5"]



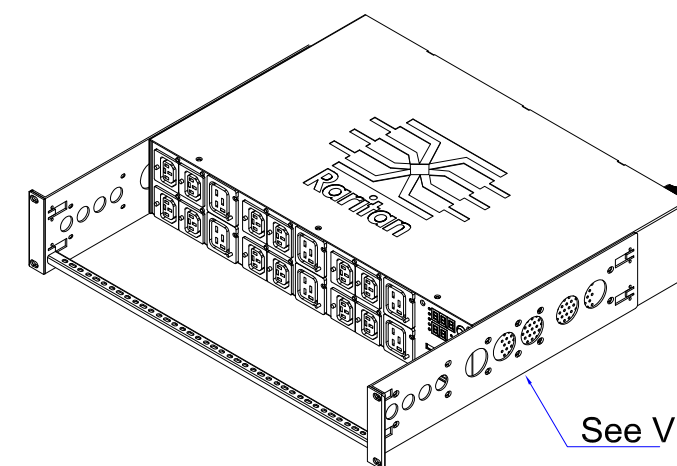
VIEW C

Front



440,0 [17,3"]

See VIEW C



See VIEW B

NOTES:
ALL DIMENSIONS ARE MILLIMETERS[INCHES].



PROJECTION
THIRD ANGLE

DO NOT SCALE DRAWING

SHEET 1 OF 1

Drawing Maker:	Eva_L	June 05, 2015
Design Engineer:	Kenny_C	June 05, 2015
Approver:	Tom_H	June 05, 2015

THIS DRAWING AND SPECIFICATIONS HEREIN ARE THE PROPERTY OF RARITAN, INC. AND SHALL NOT BE COPIED, REPRODUCED OR USED, IN WHOLE OR IN PART, AS THE BASIS FOR THE MANUFACTURE OR SALE OF ITEMS WITHOUT WRITTEN PERMISSION FROM RARITAN, INC. THIS DRAWING IS BASED UPON LATEST AVAILABLE INFORMATION AND IS SUBJECT TO CHANGE WITHOUT NOTICE.

TITLE: iPDU Two U
Three phase, 40A/208V-240V
Plug Type:CS8365C
Outlet Type:(12) Locking C13,
(6)Locking C19

DWG NO. **MPX2-4612R-E2 & MPX2-5612R-E2**

REV. **0A**