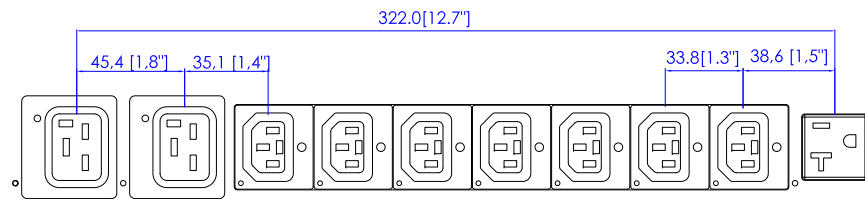


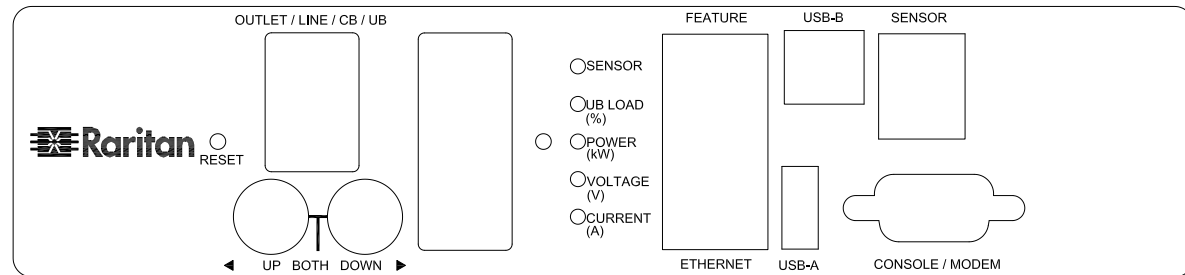


NEMA L21-30P

VIEW A

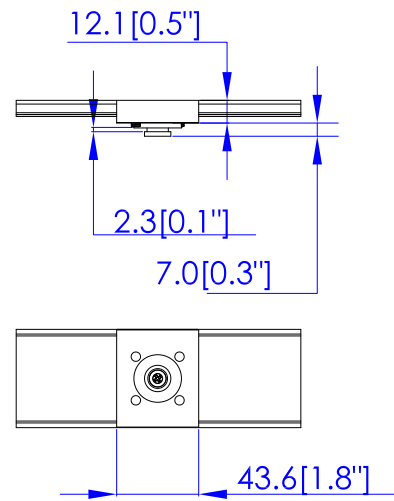


VIEW B

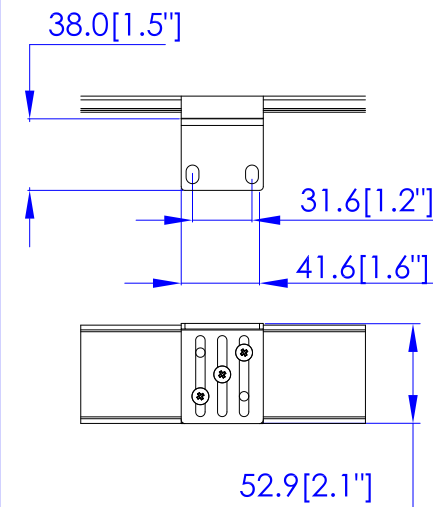


VIEW C

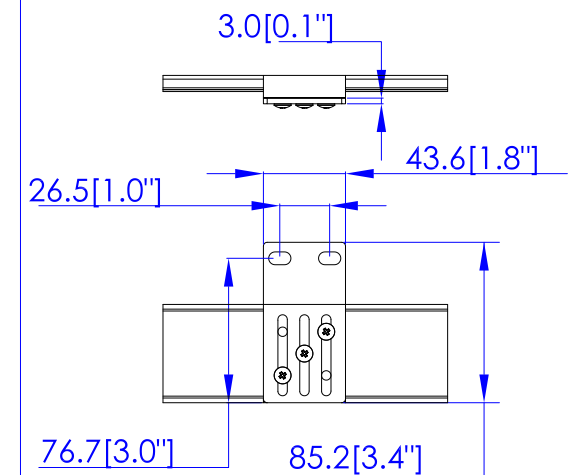
Option 1.



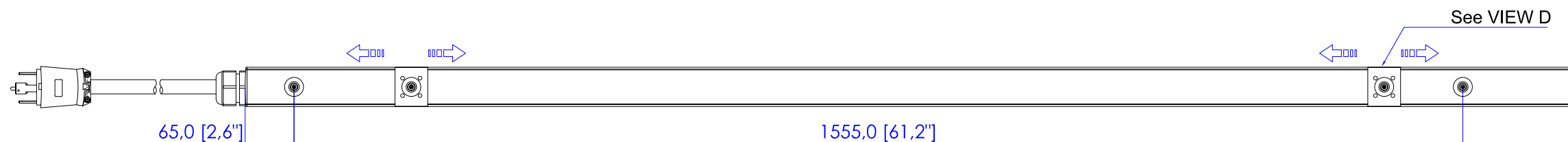
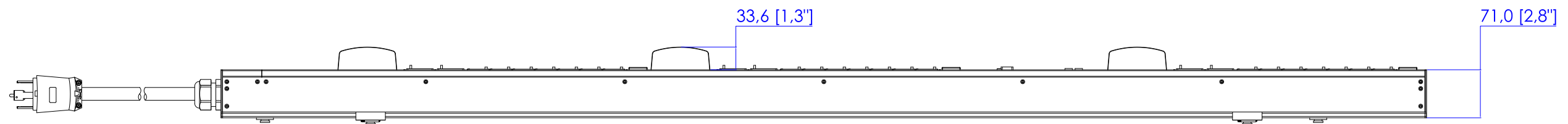
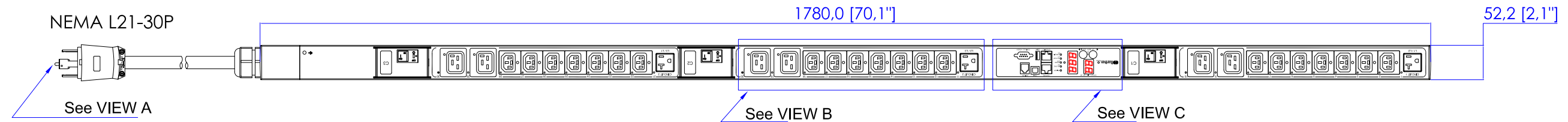
Option 2.



Option 3.



VIEW D



NOTES:

1. ALL DIMENSIONS ARE MILLIMETERS [INCHES].



DRAWN :	EVA LIN	Jan. 09, 2013
ENGINEER:	Kenny_C	Jan. 09, 2013
APPROVED:	Tom_H	Jan. 09, 2013

PROJECTION THIRD ANGLE
DO NOT SCALE DRAWING
SHEET 1 OF 1

THIS DRAWING AND SPECIFICATIONS HEREIN ARE THE PROPERTY OF RARITAN, INC. AND SHALL NOT BE COPIED, REPRODUCED OR USED, IN WHOLE OR IN PART, AS THE BASIS FOR THE MANUFACTURE OR SALE OF ITEMS WITHOUT WRITTEN PERMISSION FROM RARITAN, INC. THIS DRAWING IS BASED UPON LATEST AVAILABLE INFORMATION AND IS SUBJECT TO CHANGE WITHOUT NOTICE.

TITLE: iPDU Zero U,
Three phase 24A / 190V-208V
Plug Type :NEMA L21-30P
Output Type: 120V: (3)5-20R
208V: (6)Locking C19, (21)Locking C13

DWG NO. **MPX2-5660V-E2 & MPX2-4660V-E2**
REV. **A**