

LINE DRAWING



208V, 3Φ Wye, 8.6kVA, 24A

FEATURES



Securelock

Energy Metering	Voltage (V), Current (A), Active Power (kW), Real Power (kVA), Energy (kWh), Power Factor
Metering Accuracy	ISO/IEC 62053-21 1%
Metering per input line	Yes
Metering per Branch Circuit Breaker	Yes
Metering per Output Receptacle	Yes
Remote Outlet Switching	No
Environmental Sensor Ready	Yes
Compatible Sensors	Temperature, Humidity, Air Flow, Differential Pressure, Water Leak, and Contact Closure.
Networking	10/100 BaseT Ethernet. Optional WiFi (802.11a/b/g/n)
Remote Management	HTTP(s); SSH; Telnet; RS-232 (Serial); Power IQ; SNMP version v2/v3; SMTP; JSON-RPC
Cascading	Yes, Max 8 PDUs can be daisy chained using a single Ethernet connection
Onboard Display	3-digit LED user-selectable display (voltage, current, or active power : per line, per breaker or per receptacle / outlet). Auto-flip orientation.

INPUT

Input Plug	NEMA L21-30P (4P5W)
Cord Length	3 meters (9.84 feet) standard
Cord Entry	Bottom-bottom feed
Cable Type	IP44("splashproof") (208V 3 phase)
Number of Power Cords	1
Maximum Input Current	30A
Nominal Input Voltage	208V
Rated Input Voltage	190 - 208V
Input Frequency	50/60Hz
Power Capacity	7.9kVA at 190V, 8.6kVA at 208V

OUTPUT

Nominal Output Voltage	208V
Rated Output Voltage	120 - 208V
Receptacles (Output Connections)	(3) NEMA 5-20R, 16A (21) IEC60320 C13 Locking, 12A (6) IEC60320 C19 Locking, 16A
Overload Protection	(3) LEGBX66-20

PHYSICAL

Color	Black powder coat (custom colors available)
Unit Dimensions (WxDxH)	2.1" x 2.8" x 70.1" ; 52mm x 71mm x 1780mm
Unit Weight	8.5 kg
Shipping Weight	11 kg
Shipping Dimensions (WxDxH)	11.02" x 4.53" x 81.5" ; 280mm x 115mm x 2070mm
Mounting	Tool-less button mount

ENVIRONMENTAL

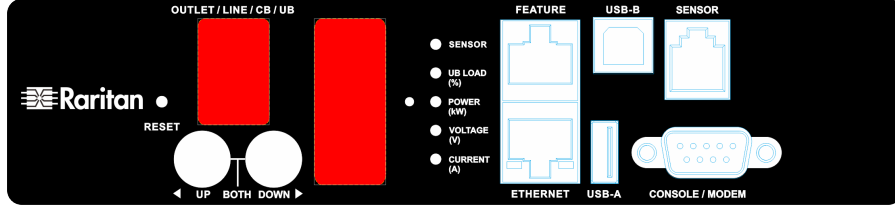
Operating Temperature/Environment	60°C
Operating Relative Humidity	85%
Operating Elevation	0-10000ft

CONFORMANCE

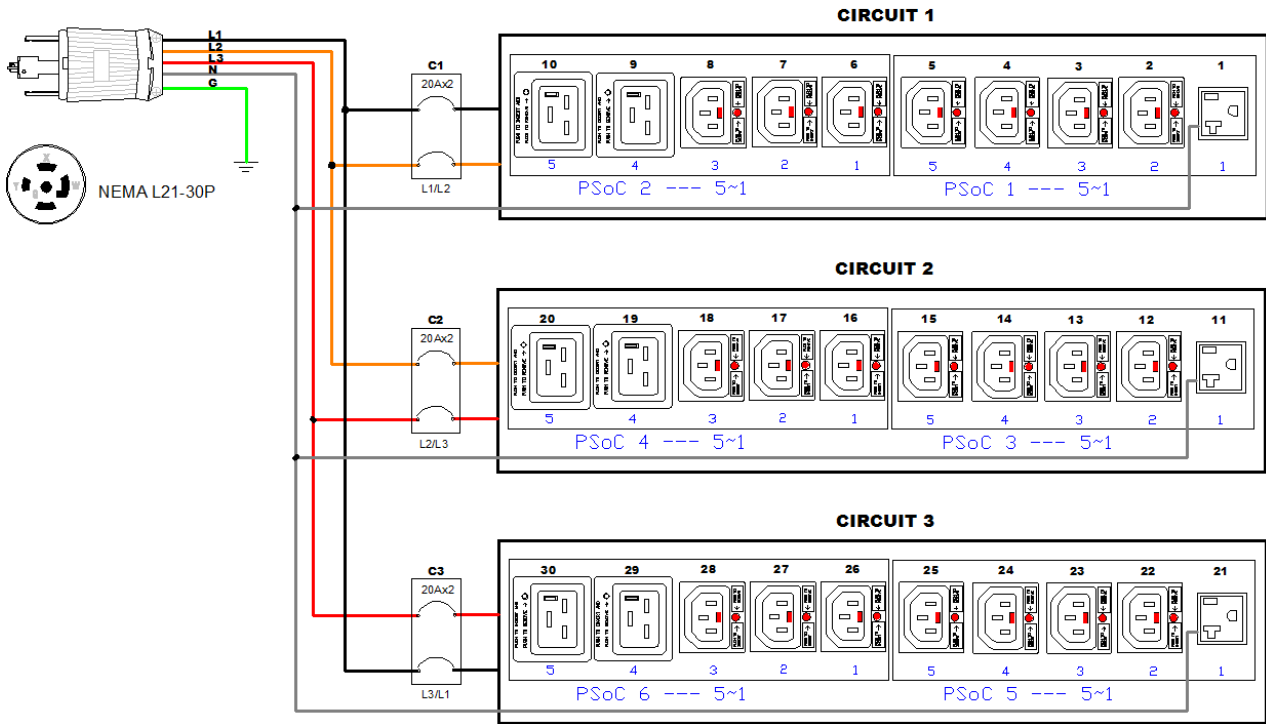
Regulatory Approvals	UL Listed, Canada ICES-003, Class A Part 15 Class A of the FCC rules RoHS compliant
Warranty	Standard 2 years manufacturer warranty

CONTROL PANEL

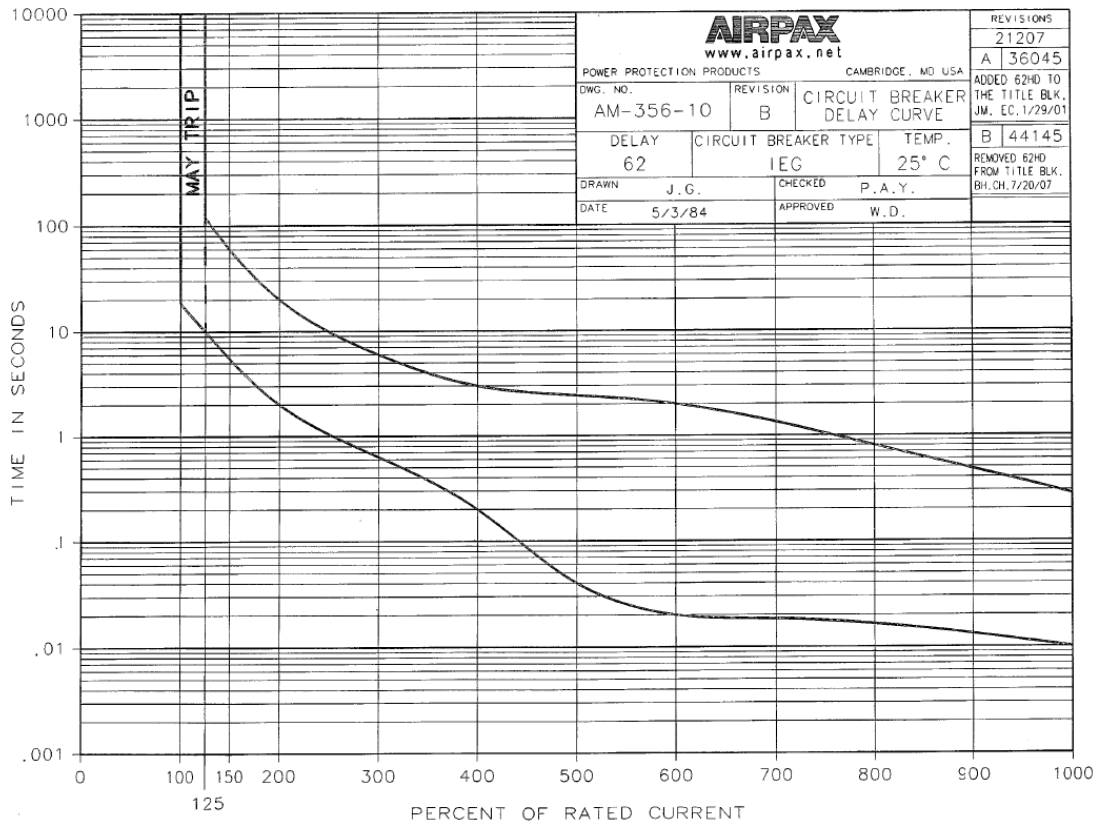
Dimension: 188mm x 43mm



ELECTRICAL (ONE LINE) DIAGRAM



TRIP CURVE



C-1009-1 5/98 32556

0
0