

Technical Specifications / Engineering Submittals

Raritan Model Number: PX2-4770XV-E2V2

rev20170831

LINE DRAWING



FEATURES

| | |
|-------------------------------------|---|
| Energy Metering | Voltage (V), Current (A), Active Power (kW), Real Power (kVA), Energy (kWh), Power Factor |
| Metering Accuracy | ISO/IEC 62053-21 1% |
| Metering per Input Line | Yes |
| Metering per Branch Circuit Breaker | Yes |
| Metering per Output Receptacle | Yes |
| Remote Outlet Switching | No |
| Environmental Sensor Ready | Yes |
| Replaceable Controller | No |
| Compatible Sensors | Temperature, Humidity, Air Flow, Differential Pressure, Water Leak, and Contact Closure |
| Networking | (10/100 BaseT) Ethernet port. Optional WiFi (802.11a/b/g/n) |
| Remote Management | HTTP(s); SSH; Telnet; RS-232 (Serial); Power IQ; SNMP version v2/v3; SMTP; JSON-RPC |
| Cascading | Yes, Max 8 PDUs can be daisy chained using USB connection |
| Onboard Display | 3-digit LED user-selectable display : Voltage, current, or active power (per line, per breaker or per receptacle / outlet); Auto-flip orientation |
| Embedded Processor | ARM9 400MHZ (Atmel SAM9G20), 16MB NOR Flash, 64MB SDRAM |

Technical Specifications / Engineering Submittals

Raritan Model Number: PX2-4770XV-E2V2

rev20170831

INPUT

| | |
|-----------------------|----------------------------------|
| Input Plug | AC Terminal (N/A) |
| Cord Length | N/A |
| Cord Entry | Bottom-bottom feed |
| Cable Type | |
| Number of Power Cords | N/A |
| Maximum Input Current | 48A |
| Nominal Input Voltage | 208V 3 phase |
| Rated Input Voltage | 208 - 240V 3 phase |
| Input Frequency | 50/60Hz |
| Power Capacity | 17.3kVA at 208V, 20.0kVA at 240V |

OUTPUT

| | |
|----------------------------------|---|
| Nominal Output Voltage | 208V |
| Rated Output Voltage | 208 - 240V |
| Receptacles (Output Connections) | (21) IEC60320 C13 Locking, 12A (3) IEC60320 C19 Locking, 16A |
| Securelock Support | Yes |
| Cord Retention | No |
| Overload Protection | (6) LEGBX66-20 |

PHYSICAL

| | |
|-----------------------------|--|
| Color | Black powder coat (custom colors available) |
| Unit Dimensions (WxDxH) | 2.3" x 3.1" x 70.1" ; 59mm x 80mm x 1780mm |
| Unit Weight | 7.1 kg |
| Shipping Weight | 9.9 kg |
| Shipping Dimensions (WxDxH) | 8.46" x 6.5" x 78.74" ; 215mm x 165mm x 2000mm |
| Mounting | G3-RACK-FOR-ZU |

Technical Specifications / Engineering Submittals

Raritan Model Number: PX2-4770XV-E2V2

rev20170831

ENVIRONMENTAL

| | |
|-----------------------------|-----------|
| Operating Temperature | 60°C |
| Operating Relative Humidity | 85% |
| Operating Elevation | 0-10000ft |

CONFORMANCE

| | |
|----------------------|--|
| Regulatory Approvals | UL Recognized, Canada ICES-003, Part 15 Class A of the FCC rules, RoHS compliant |
| Warranty | Standard 2 years manufacturer warranty |

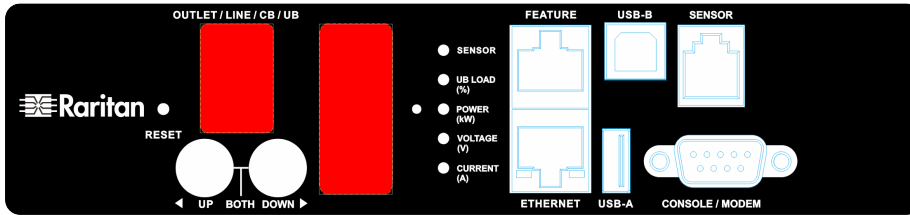
Technical Specifications / Engineering Submittals

Raritan Model Number: PX2-4770XV-E2V2

rev20170831

CONTROL PANEL

Dimension: 188mm x 43mm

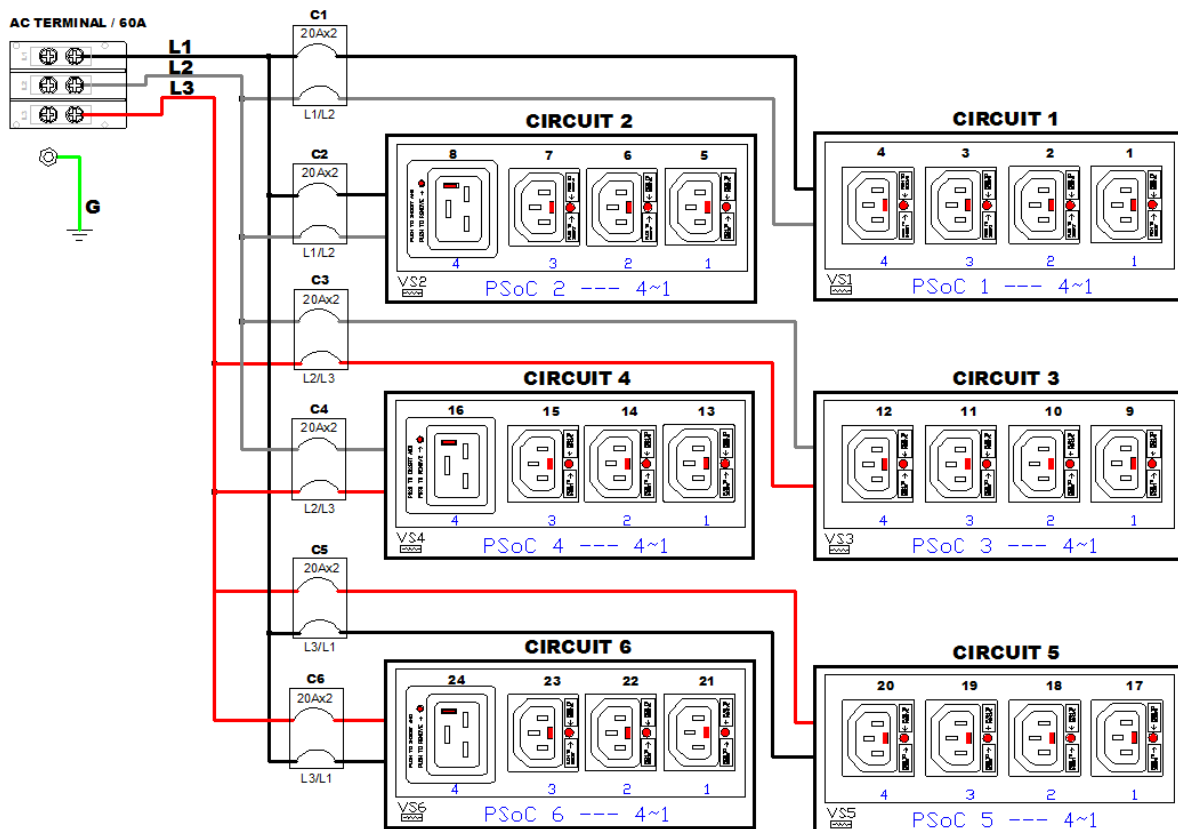


Technical Specifications / Engineering Submittals

Raritan Model Number: PX2-4770XV-E2V2

rev20170831

ELECTRICAL (ONE LINE) DIAGRAM

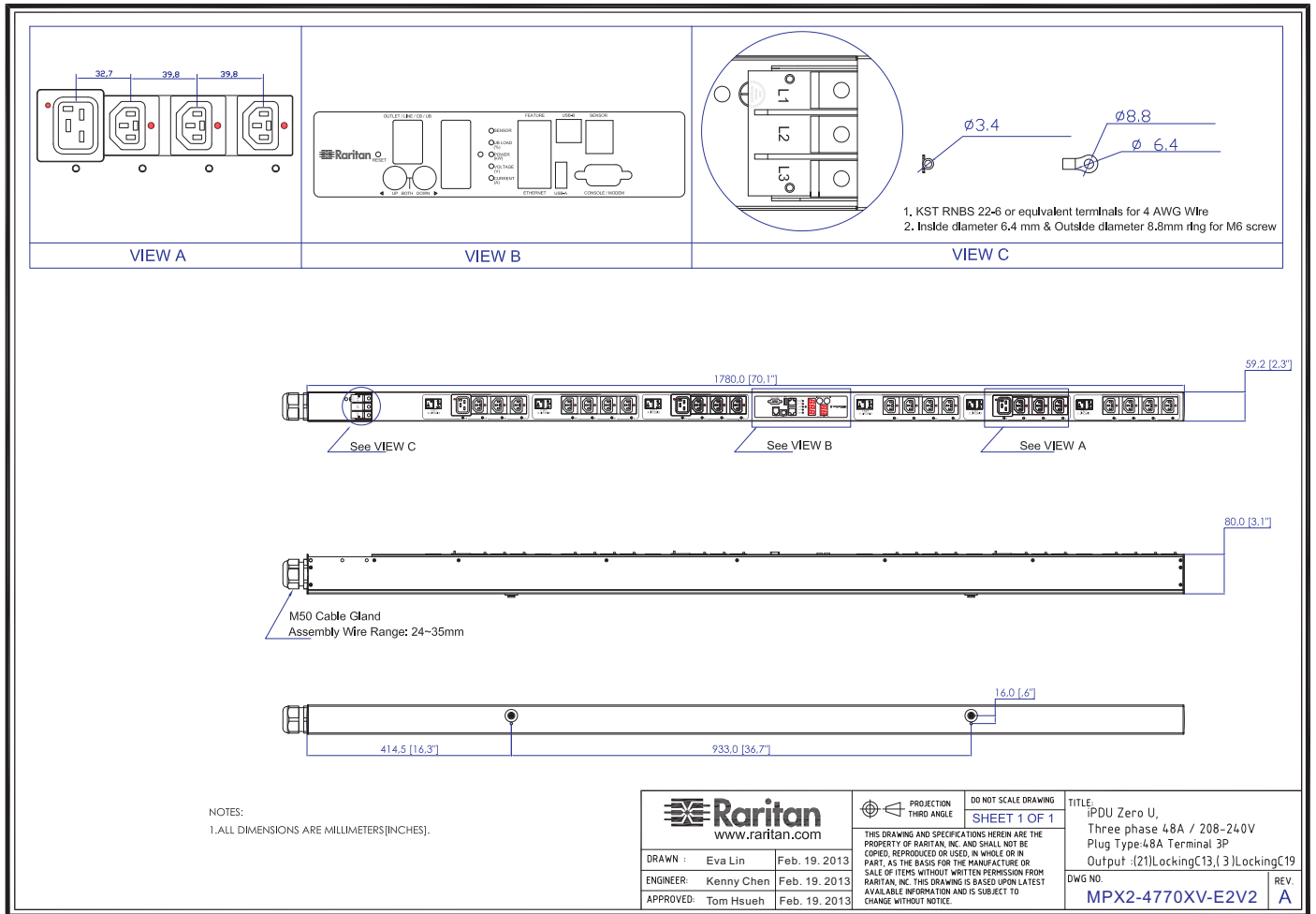


Technical Specifications / Engineering Submittals

Raritan Model Number: PX2-4770XV-E2V2

rev20170831

MECHANICAL DIAGRAM

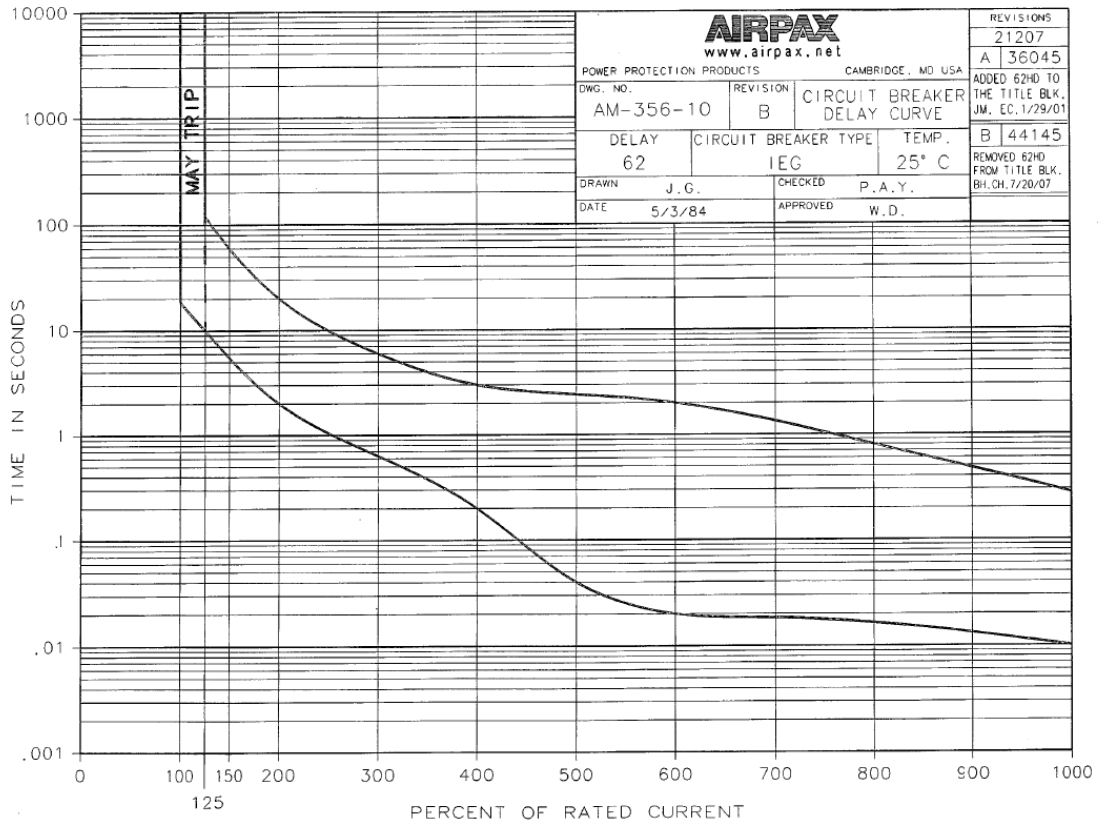


Technical Specifications / Engineering Submittals

Raritan Model Number: PX2-4770XV-E2V2

rev20170831

TRIP CURVE



C-1009-1 5/98 32556

0
C

This file generated on: Thu, August 31, 2017 - 20:37:37