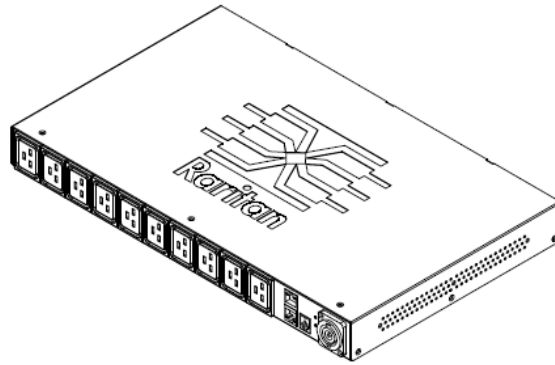


## Technical Specifications / Engineering Submittals

Raritan Model Number: PX2-4850PR-F5N1A0

rev20170901

### LINE DRAWING



### FEATURES

Energy Metering	Voltage (V), Current (A), Active Power (kW), Real Power (kVA), Energy (kWh), Power Factor
Metering Accuracy	ISO/IEC 62053-21 1%
Metering per Input Line	Yes
Metering per Branch Circuit Breaker	Yes
Metering per Output Receptacle	Yes
Remote Outlet Switching	No
Environmental Sensor Ready	Yes
Replaceable Controller	No
Compatible Sensors	Temperature, Humidity, Air Flow, Differential Pressure, Water Leak, and Contact Closure
Networking	(10/100 BaseT) Ethernet port. Optional WiFi (802.11a/b/g/n)
Remote Management	HTTP(s); SSH; Telnet; RS-232 [Serial]; Power IQ; SNMP version v2/v3; SMTP; JSON-RPC
Cascading	Yes, Max 8 PDUs can be daisy chained using USB connection
Onboard Display	3-digit LED user-selectable display : Voltage, current, or active power (per line, per breaker or per receptacle / outlet)
Embedded Processor	ARM9 400MHZ (Atmel SAM9G20), 16MB NOR Flash, 64MB SDRAM

## Technical Specifications / Engineering Submittals

Raritan Model Number: PX2-4850PR-F5N1A0

rev20170901

### INPUT

Input Plug	Neutrik NAC3MP-HC (2P3W)
Cord Length	0 meters (0 feet)
Cord Entry	Rear feed
Cable Type	IP20
Number of Power Cords	1
Maximum Input Current	32A
Nominal Input Voltage	230V
Rated Input Voltage	200 - 240V
Input Frequency	50/60Hz
Power Capacity	6.4kVA at 200V, 7.7kVA at 240V

### OUTPUT

Nominal Output Voltage	230V
Rated Output Voltage	200 - 240V
Receptacles (Output Connections)	(10) IEC320 C19, 16A
Securelock Support	Yes
Cord Retention	No
Overload Protection	(1) IEGBX6-32

### PHYSICAL

Color	Black powder coat (custom colors available)
Unit Dimensions (WxDxH)	17.3" x 10.6" x 1.7" ; 440mm x 269mm x 44mm
Unit Weight	4 kg
Shipping Weight	6.5 kg
Shipping Dimensions (WxDxH)	18.5" x 11.02" x 22.05" ; 470mm x 280mm x 560mm
Mounting	RACK-KIT-PX-1U-T1

## Technical Specifications / Engineering Submittals

Raritan Model Number: PX2-4850PR-F5N1A0

rev20170901

### ENVIRONMENTAL

---

Operating Temperature 50°C

---

Operating Relative Humidity 85%

---

Operating Elevation 0-10000ft

---

### CONFORMANCE

---

Regulatory Approvals CE, Canada ICES-003, Part 15 Class A of the FCC rules,  
RoHS compliant

---

Warranty Standard 2 years manufacturer warranty

---

## **Technical Specifications / Engineering Submittals**

Raritan Model Number: PX2-4850PR-F5N1A0

rev20170901

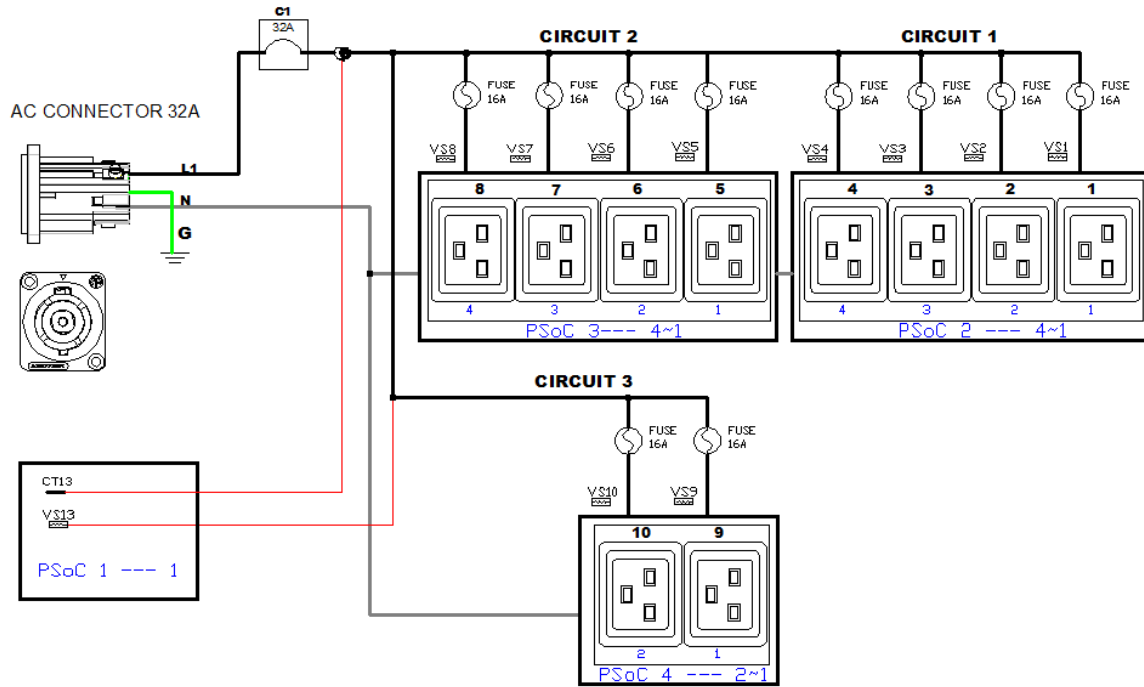
### **CONTROL PANEL**

## Technical Specifications / Engineering Submittals

Raritan Model Number: PX2-4850PR-F5N1A0

rev20170901

### ELECTRICAL (ONE LINE) DIAGRAM

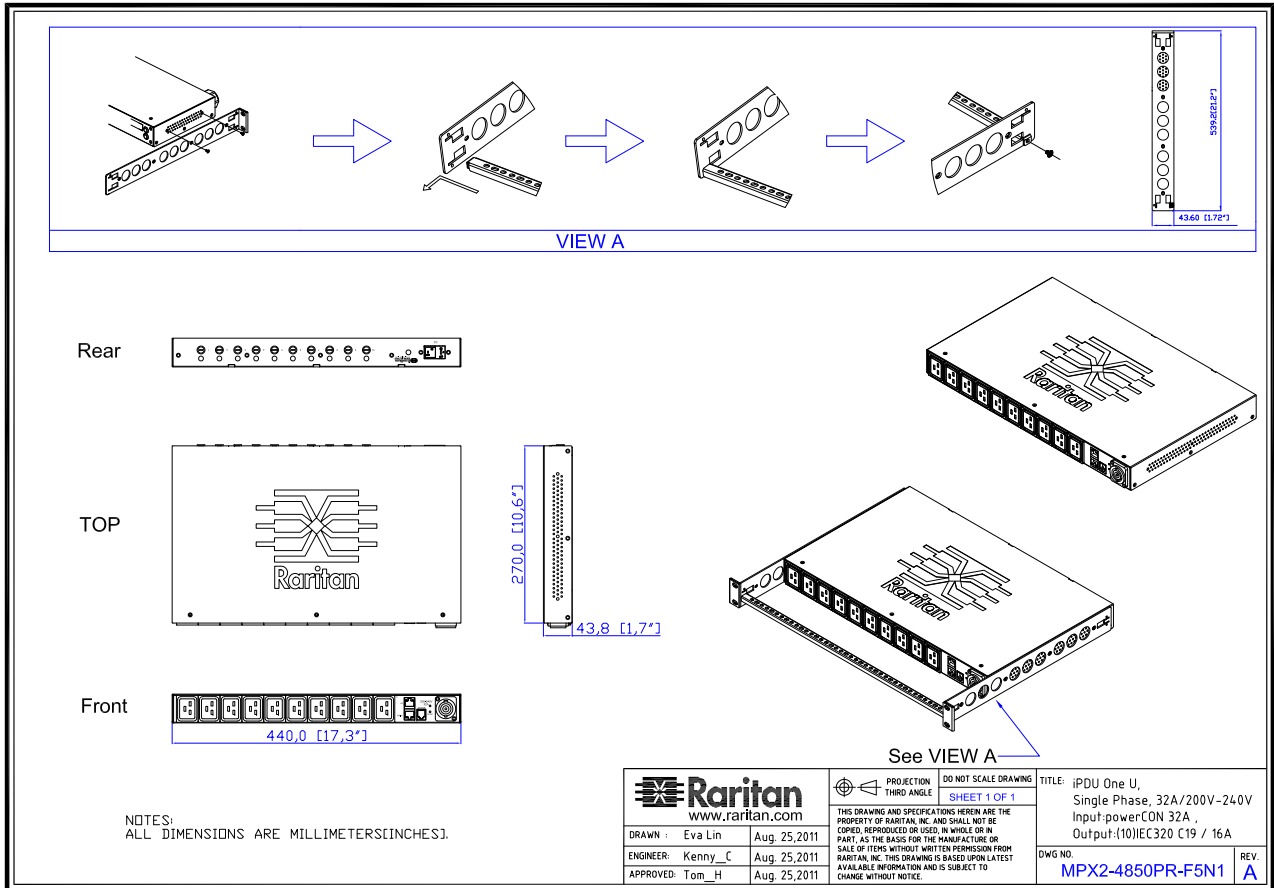


## Technical Specifications / Engineering Submittals

Raritan Model Number: PX2-4850PR-F5N1A0

rev20170901

### MECHANICAL DIAGRAM

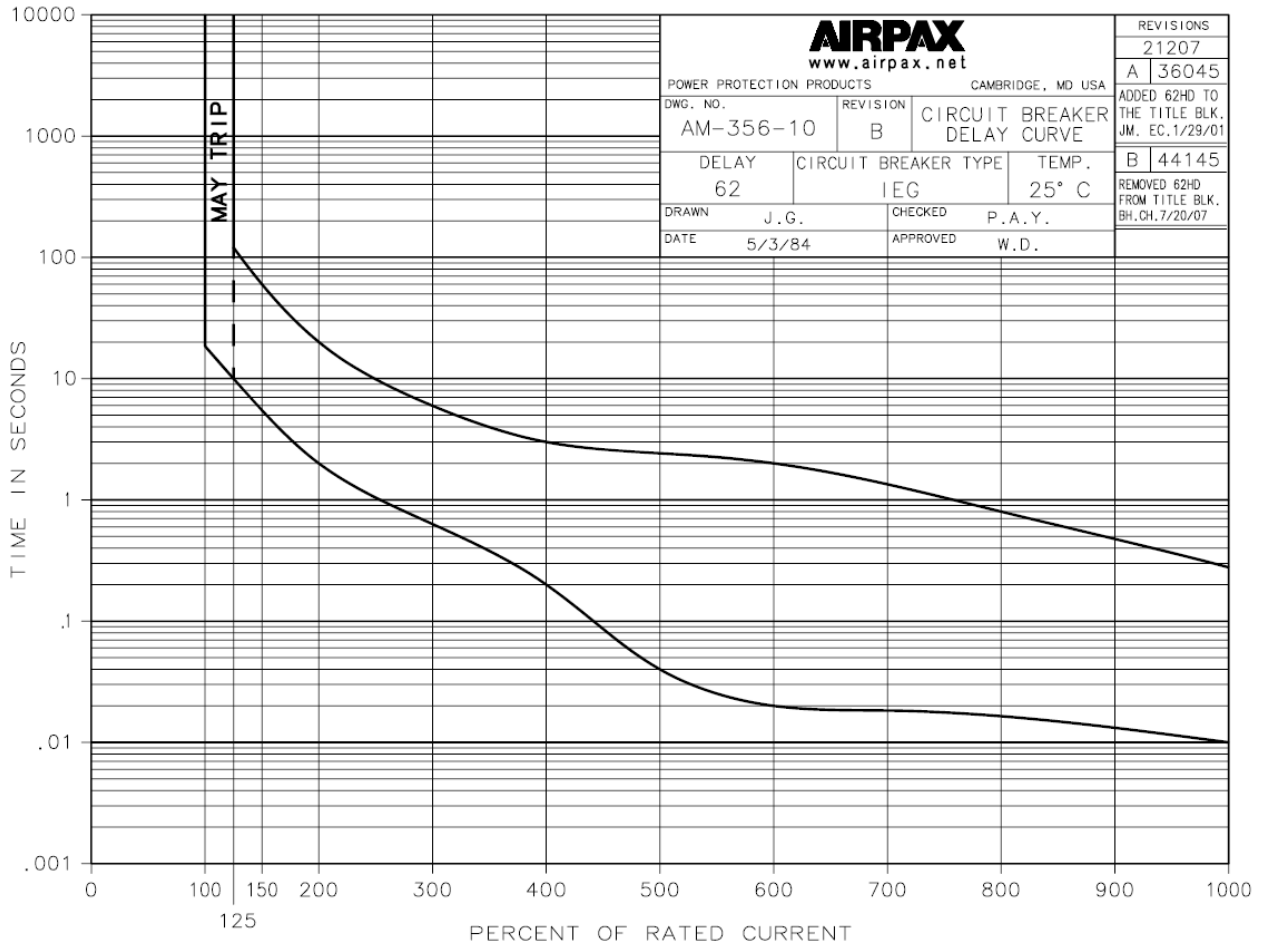


## Technical Specifications / Engineering Submittals

Raritan Model Number: PX2-4850PR-F5N1A0

rev20170901

### TRIP CURVE



This file generated on: Fri, September 01, 2017 - 02:03:03