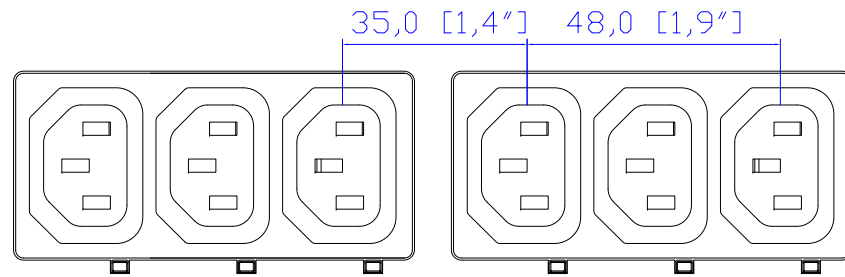
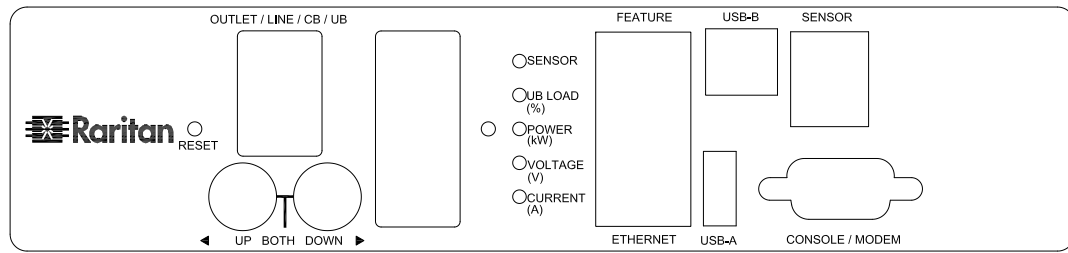


NEMA L7-30P

VIEW A

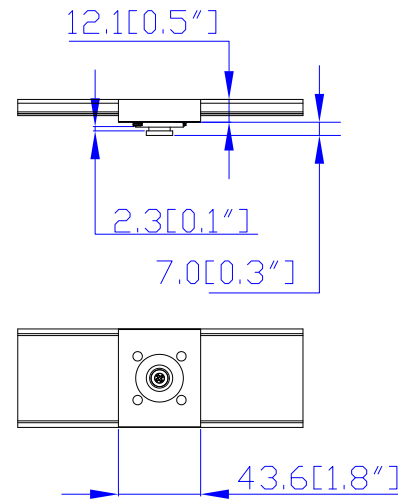


VIEW B

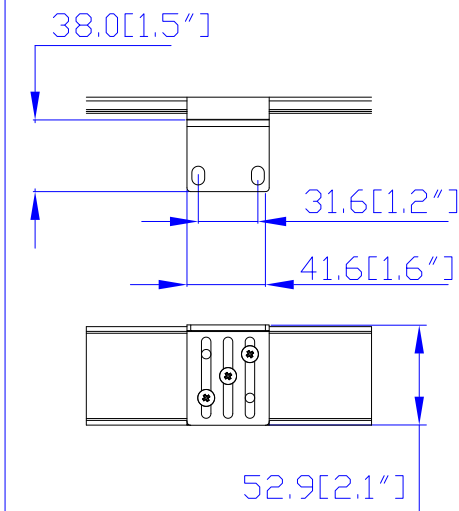


VIEW C

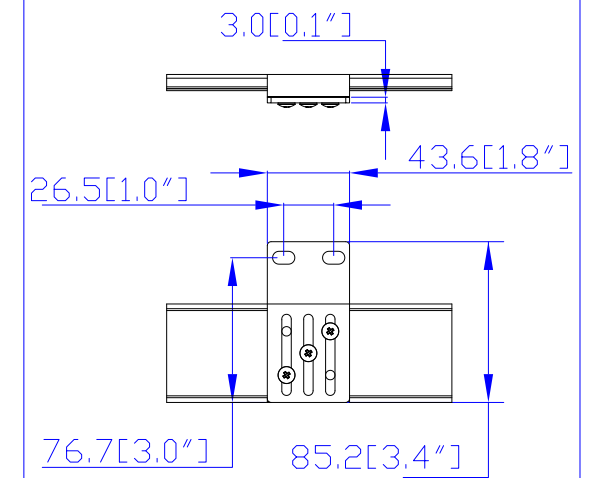
Option 1.



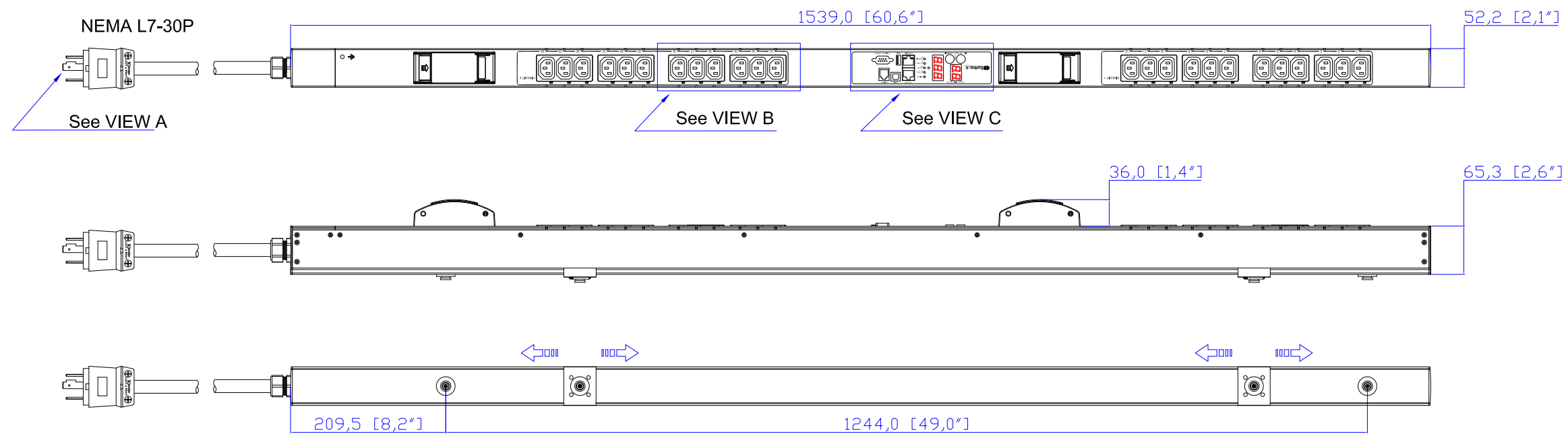
Option 2.



Option 3.



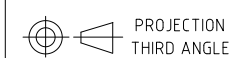
VIEW D



NOTES:
1. ALL DIMENSIONS ARE MILLIMETERS [INCHES].



DRAWN : EVA Lin Oct. 28, 2011
ENGINEER: Kevin_L Oct. 28, 2011
APPROVED: Tom_H Oct. 28, 2011



DO NOT SCALE DRAWING
SHEET 1 OF 1

THIS DRAWING AND SPECIFICATIONS HEREIN ARE THE PROPERTY OF RARITAN, INC. AND SHALL NOT BE COPIED, REPRODUCED OR USED, IN WHOLE OR IN PART, AS THE BASIS FOR THE MANUFACTURE OR SALE OF ITEMS WITHOUT WRITTEN PERMISSION FROM RARITAN, INC. THIS DRAWING IS BASED UPON LATEST AVAILABLE INFORMATION AND IS SUBJECT TO CHANGE WITHOUT NOTICE.

TITLE: iPDU Zero U,
Single Phase, 24A/200V-240V,
Input : NEMA L7-30P
Output : (24)IEC320 C13

DWG NO. MPX2-4863V-F1 & MPX2-5863V-F1 REV. A