

Technical Specifications / Engineering Submittals

Raritan Model Number: PX2-4917U-V2D1

rev20170831

LINE DRAWING



FEATURES

| | |
|-------------------------------------|---|
| Energy Metering | Voltage (V), Current (A), Active Power (kW), Real Power (kVA), Energy (kWh), Power Factor |
| Metering Accuracy | ISO/IEC 62053-21 1% |
| Metering per Input Line | Yes |
| Metering per Branch Circuit Breaker | Yes |
| Metering per Output Receptacle | Yes |
| Remote Outlet Switching | No |
| Environmental Sensor Ready | Yes |
| Replaceable Controller | No |
| Compatible Sensors | Temperature, Humidity, Air Flow, Differential Pressure, Water Leak, and Contact Closure |
| Networking | (10/100 BaseT) Ethernet port. Optional WiFi (802.11a/b/g/n) |
| Remote Management | HTTP(s); SSH; Telnet; RS-232 (Serial); Power IQ; SNMP version v2/v3; SMTP; JSON-RPC |
| Cascading | Yes, Max 8 PDUs can be daisy chained using USB connection |
| Onboard Display | 3-digit LED user-selectable display : Voltage, current, or active power (per line, per breaker or per receptacle / outlet); Auto-flip orientation |
| Embedded Processor | ARM9 400MHZ (Atmel SAM9G20), 16MB NOR Flash, 64MB SDRAM |

Technical Specifications / Engineering Submittals

Raritan Model Number: PX2-4917U-V2D1

rev20170831

INPUT

| | |
|-----------------------|----------------------------------|
| Input Plug | IEC 60309 3P+N+E 6h 32A (4P5W) |
| Cord Length | 3 meters (9.84 feet) standard |
| Cord Entry | Top-end feed |
| Cable Type | IP67("watertight") |
| Number of Power Cords | 1 |
| Maximum Input Current | 32A |
| Nominal Input Voltage | 400V 3 phase |
| Rated Input Voltage | 380 - 415V 3 phase |
| Input Frequency | 50/60Hz |
| Power Capacity | 21.1kVA at 380V, 23.0kVA at 415V |

OUTPUT

| | |
|----------------------------------|--|
| Nominal Output Voltage | 230V |
| Rated Output Voltage | 220 - 240V |
| Receptacles (Output Connections) | (12) IEC320 C13, 10A (12) IEC320 C19, 16A |
| Securelock Support | Yes |
| Cord Retention | Yes |
| Overload Protection | (6) Airpax LEGBX6-37483-16-V |

PHYSICAL

| | |
|-----------------------------|--|
| Color | Black powder coat (custom colors available) |
| Unit Dimensions (WxDxH) | 2.3" x 3.1" x 70.1" ; 59mm x 80mm x 1780mm |
| Unit Weight | 8.9 kg |
| Shipping Weight | 12.3 kg |
| Shipping Dimensions (WxDxH) | 14.49" x 5.31" x 82.83" ; 368mm x 135mm x 2104mm |
| Mounting | G3-RACK-FOR-ZU |

Technical Specifications / Engineering Submittals

Raritan Model Number: PX2-4917U-V2D1

rev20170831

ENVIRONMENTAL

Operating Temperature 50°C

Operating Relative Humidity 85%

Operating Elevation 0-10000ft

CONFORMANCE

Regulatory Approvals CE, Canada ICES-003, Part 15 Class A of the FCC rules,
RoHS compliant

Warranty Standard 2 years manufacturer warranty

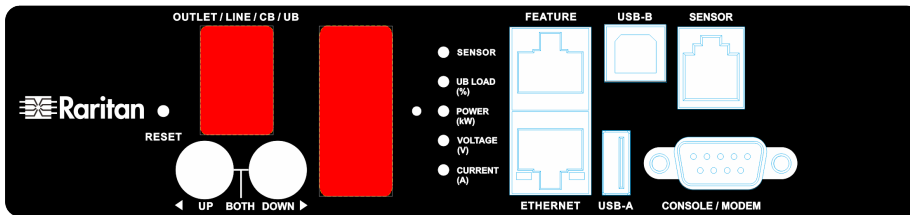
Technical Specifications / Engineering Submittals

Raritan Model Number: PX2-4917U-V2D1

rev20170831

CONTROL PANEL

Dimension: 188mm x 43mm

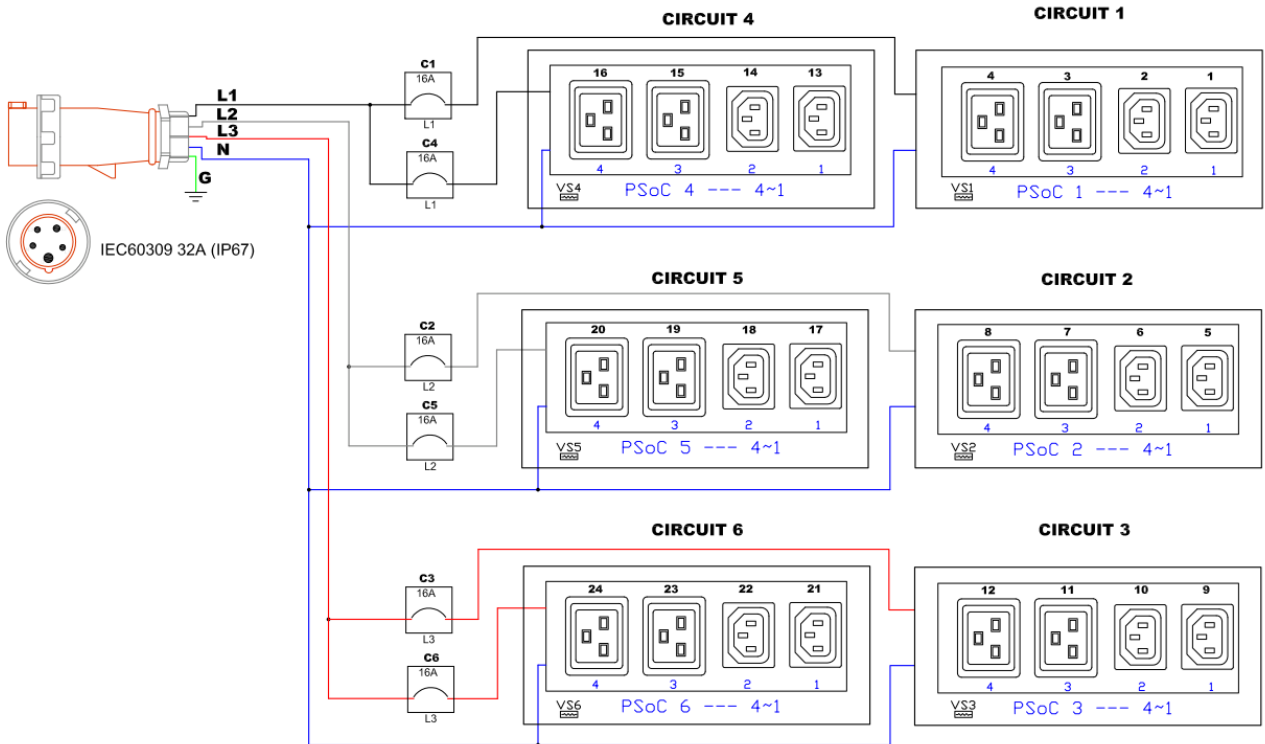


Technical Specifications / Engineering Submittals

Raritan Model Number: PX2-4917U-V2D1

rev20170831

ELECTRICAL (ONE LINE) DIAGRAM

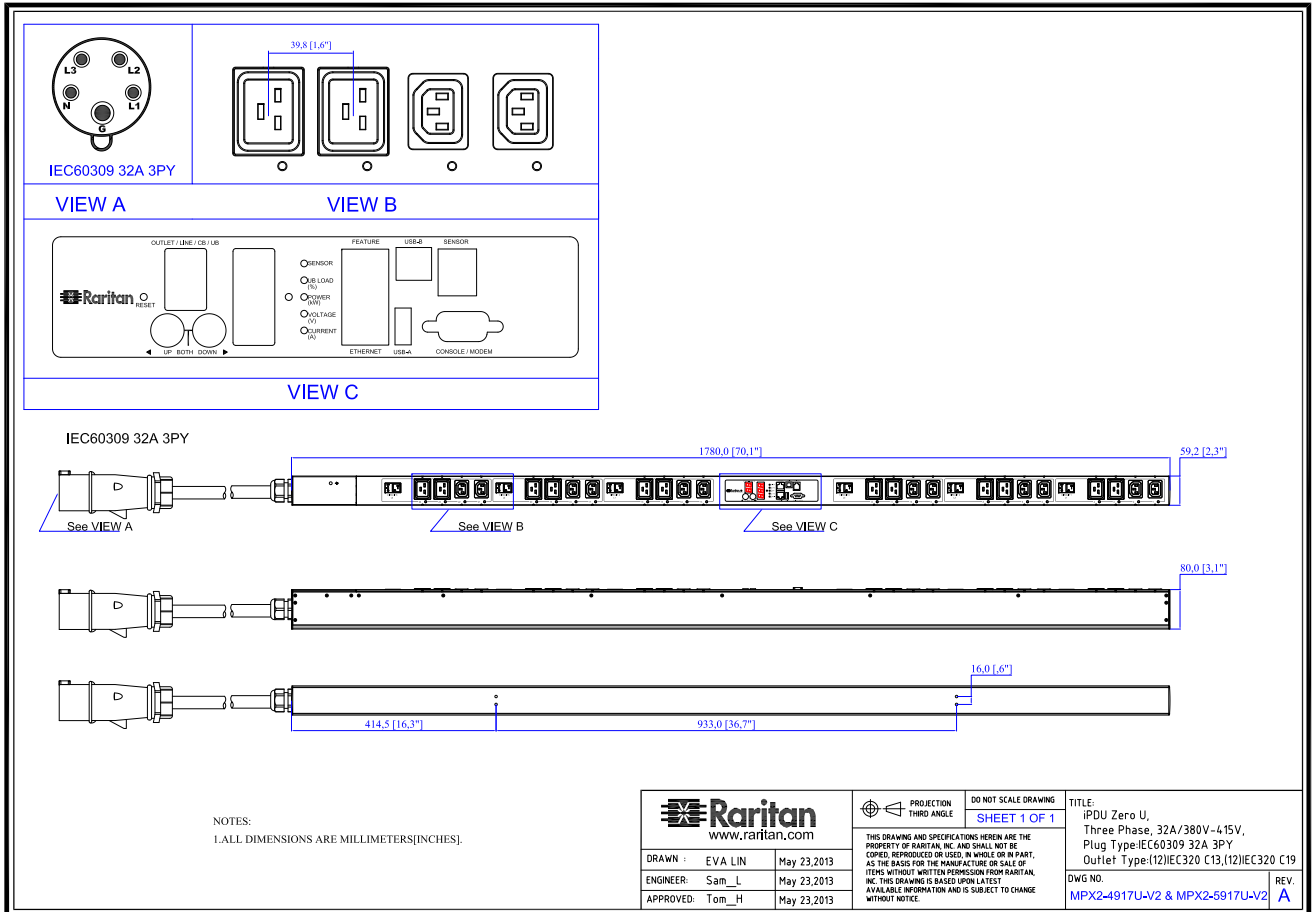


Technical Specifications / Engineering Submittals

Raritan Model Number: PX2-4917U-V2D1

rev20170831

MECHANICAL DIAGRAM

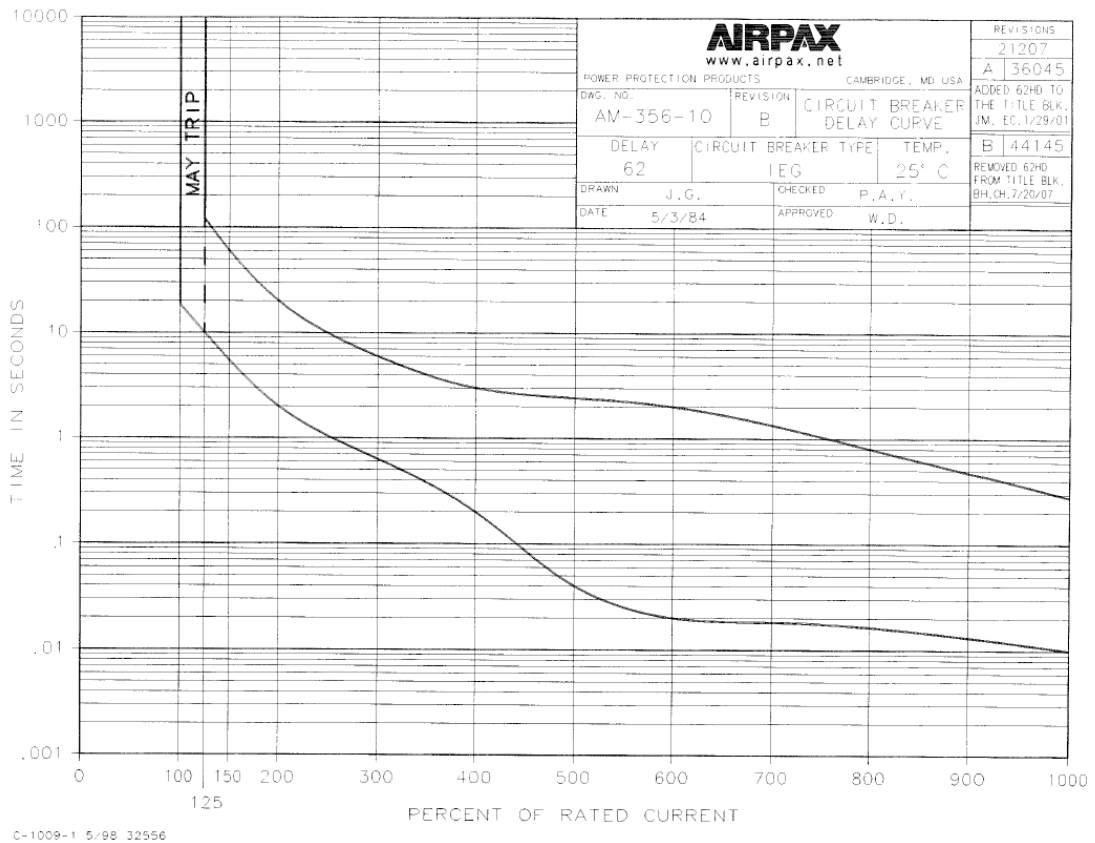


Technical Specifications / Engineering Submittals

Raritan Model Number: PX2-4917U-V2D1

rev20170831

TRIP CURVE



7