

## Technical Specifications / Engineering Submittals

Raritan Model Number: PX2-4961XU

rev20170831

### LINE DRAWING



### FEATURES

|                                     |   |
|-------------------------------------|---|
| Energy Metering                     | Voltage (V), Current (A), Active Power (kW), Real Power (kVA), Energy (kWh), Power Factor   |
| Metering Accuracy                   | ISO/IEC 62053-21 1%   |
| Metering per Input Line             | Yes   |
| Metering per Branch Circuit Breaker | Yes   |
| Metering per Output Receptacle      | Yes   |
| Remote Outlet Switching             | No  |
| Environmental Sensor Ready          | Yes   |
| Replaceable Controller              | No  |
| Compatible Sensors                  | Temperature, Humidity, Air Flow, Differential Pressure, Water Leak, and Contact Closure   |
| Networking                          | (10/100 BaseT) Ethernet port. Optional WiFi (802.11a/b/g/n)   |
| Remote Management                   | HTTP(s); SSH; Telnet; RS-232 (Serial); Power IQ; SNMP version v2/v3; SMTP; JSON-RPC   |
| Cascading                           | Yes, Max 8 PDUs can be daisy chained using USB connection   |
| Onboard Display                     | 3-digit LED user-selectable display : Voltage, current, or active power (per line, per breaker or per receptacle / outlet); Auto-flip orientation |
| Embedded Processor                  | ARM9 400MHZ (Atmel SAM9G20), 16MB NOR Flash, 64MB SDRAM   |

## Technical Specifications / Engineering Submittals

Raritan Model Number: PX2-4961XU

rev20170831

### INPUT

|                       |                                  |
|-----------------------|----------------------------------|
| Input Plug            | AC Terminal (N/A)                |
| Cord Length           | N/A                              |
| Cord Entry            | Top-end feed                     |
| Cable Type            |                                  |
| Number of Power Cords | N/A                              |
| Maximum Input Current | 40A                              |
| Nominal Input Voltage | 415V 3 phase                     |
| Rated Input Voltage   | 380 - 415V 3 phase               |
| Input Frequency       | 50/60Hz                          |
| Power Capacity        | 26.3kVA at 380V, 28.8kVA at 415V |

### OUTPUT

|                                  |   |
|----------------------------------|---|
| Nominal Output Voltage           | 230V  |
| Rated Output Voltage             | 220 - 240V                                  |
| Receptacles (Output Connections) | (48) IEC320 C13, 12A<br>(6) IEC320 C19, 16A |
| Securelock Support               | Yes   |
| Cord Retention                   | Yes   |
| Overload Protection              | (6) Airpax LELBX1-20                        |

### PHYSICAL

|                             |   |
|-----------------------------|---|
| Color                       | Black powder coat (custom colors available)     |
| Unit Dimensions (WxDxH)     | 3.5" x 3.1" x 70.1" ; 89mm x 80mm x 1780mm      |
| Unit Weight                 | 7.9 kg  |
| Shipping Weight             | 10 kg   |
| Shipping Dimensions (WxDxH) | 7.28" x 7.48" x 77.56" ; 185mm x 190mm x 1970mm |
| Mounting                    | Tool-less button mount                          |

## Technical Specifications / Engineering Submittals

Raritan Model Number: PX2-4961XU

rev20170831

### ENVIRONMENTAL

---

|                             |           |
|-----------------------------|-----------|
| Operating Temperature       | 60°C      |
| Operating Relative Humidity | 85%       |
| Operating Elevation         | 0-10000ft |

---

### CONFORMANCE

---

|                      |  |
|----------------------|--|
| Regulatory Approvals | UL Recognized, Canada ICES-003, Part 15 Class A of the FCC rules, RoHS compliant |
| Warranty             | Standard 2 years manufacturer warranty   |

---

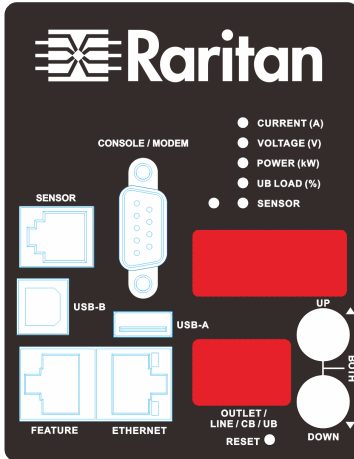
## Technical Specifications / Engineering Submittals

Raritan Model Number: PX2-4961XU

rev20170831

### CONTROL PANEL

Dimension: 102.9mm x 79.6mm

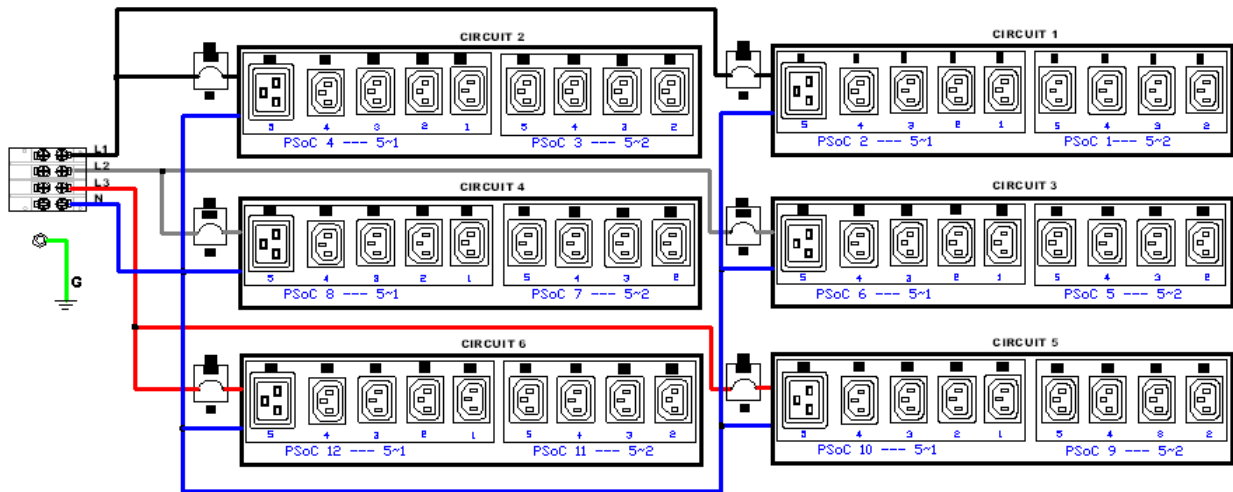


# Technical Specifications / Engineering Submittals

Raritan Model Number: PX2-4961XU

rev20170831

## ELECTRICAL (ONE LINE) DIAGRAM

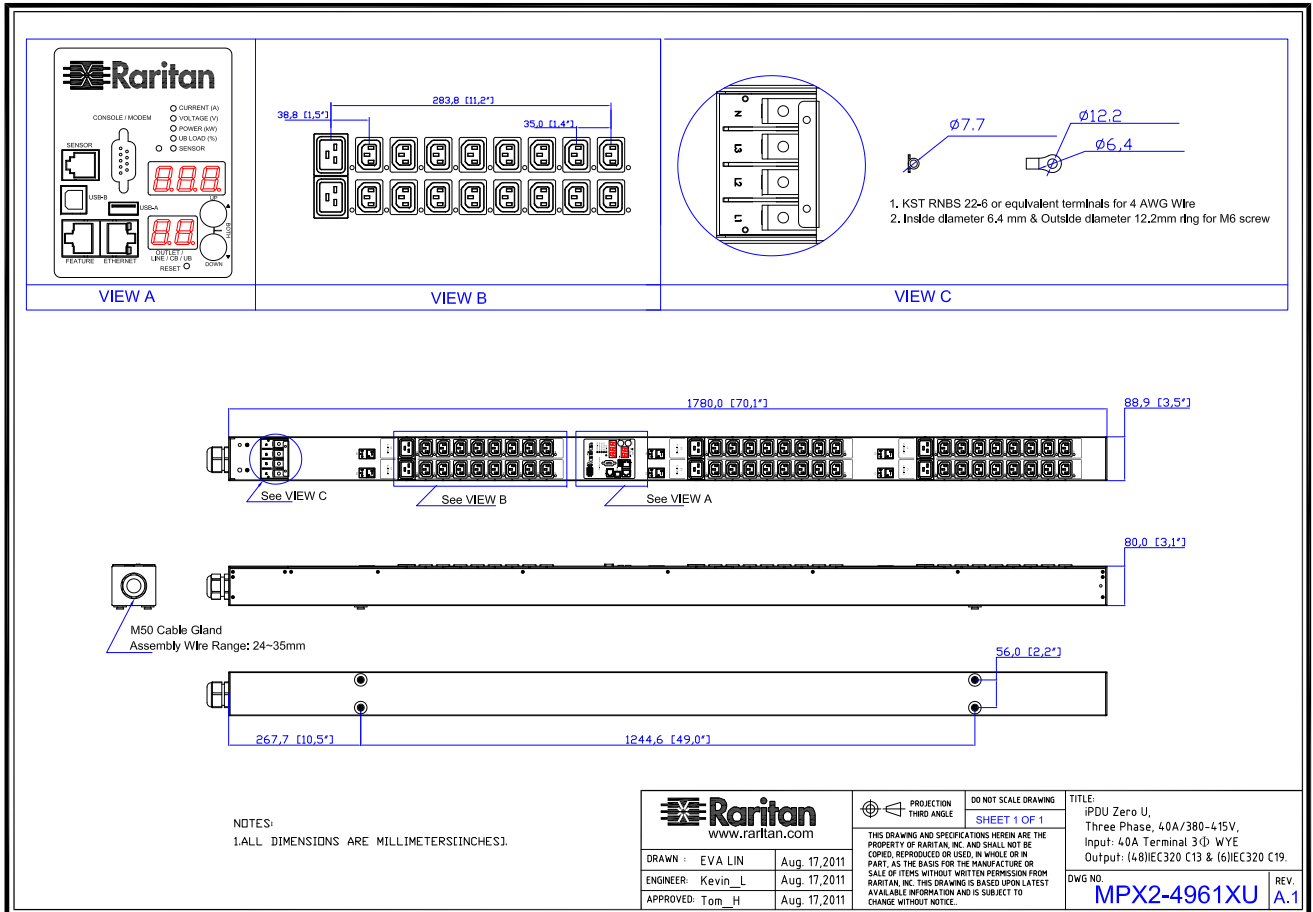


## Technical Specifications / Engineering Submittals

Raritan Model Number: PX2-4961XU

rev20170831

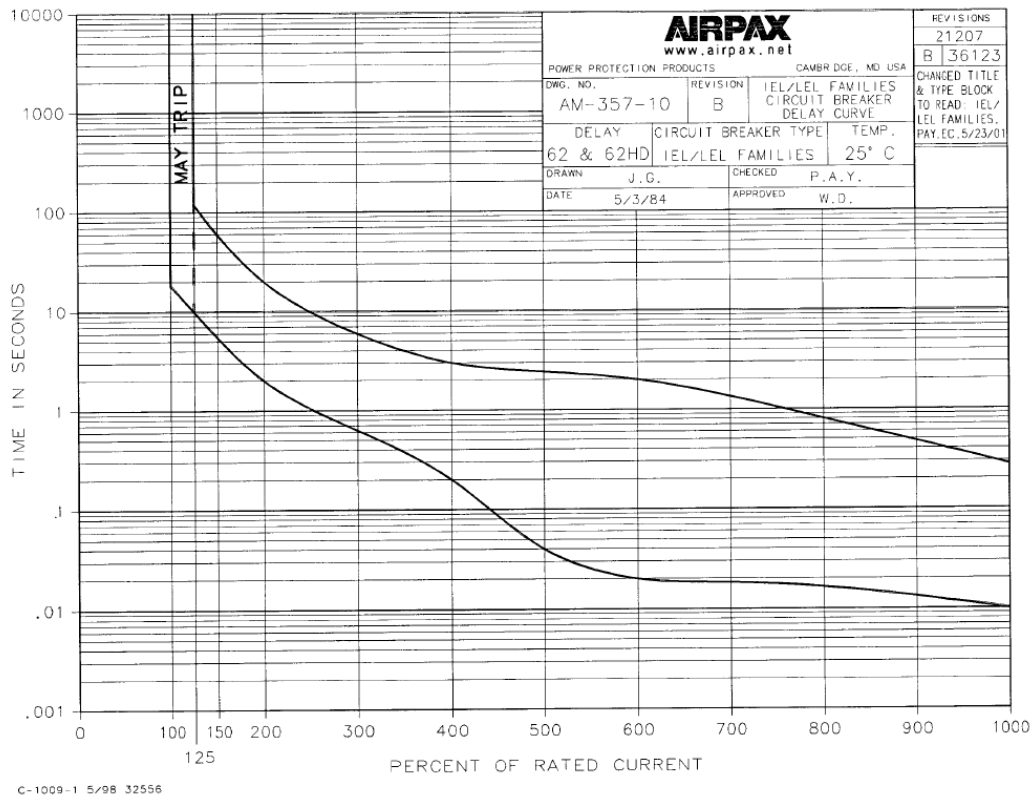
### MECHANICAL DIAGRAM



**Technical Specifications / Engineering Submittals**  
Raritan Model Number: PX2-4961XU

rev20170831

**TRIP CURVE**



7