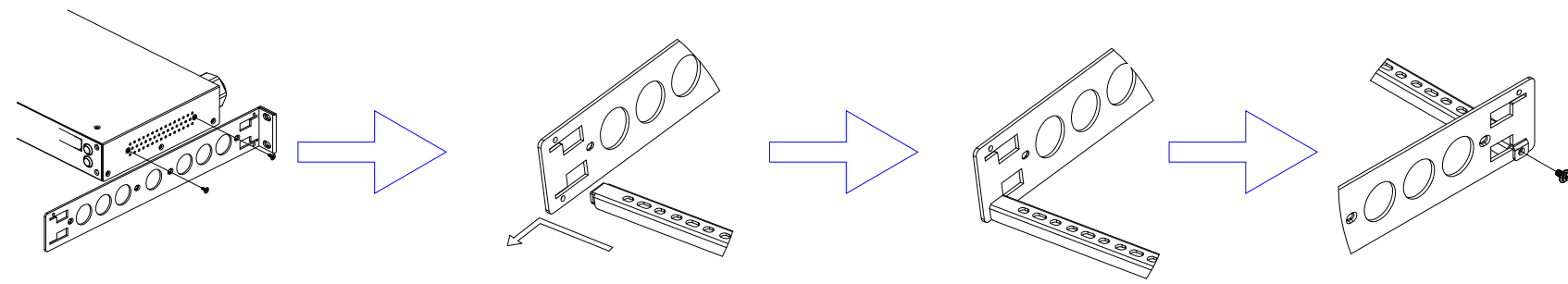
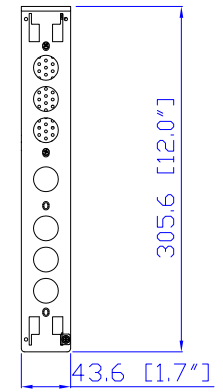


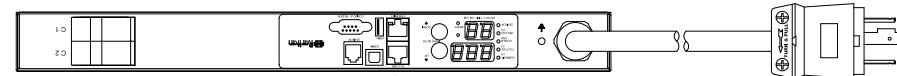
NEMA L7-30P
VIEW A



VIEW B

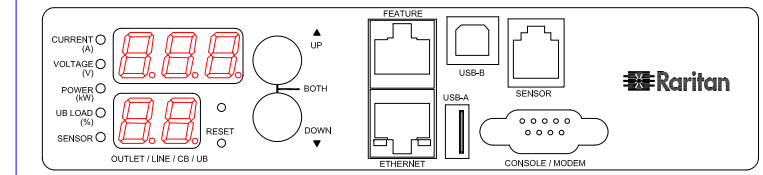


Rear



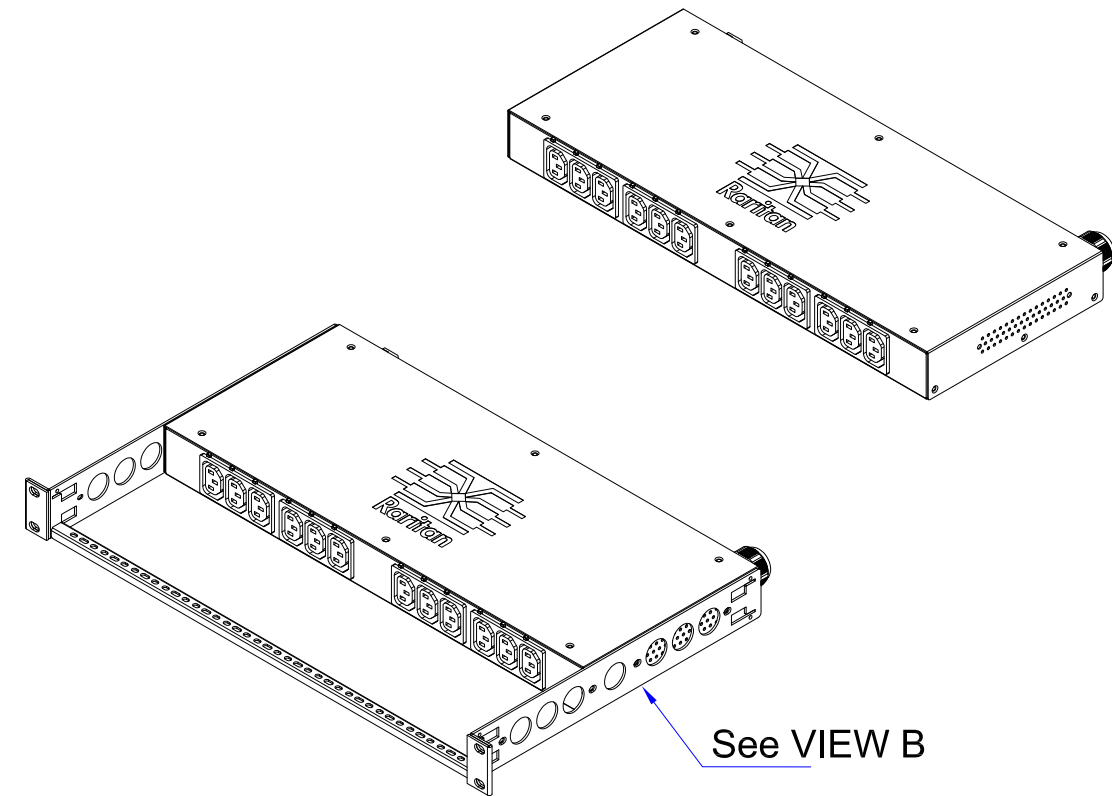
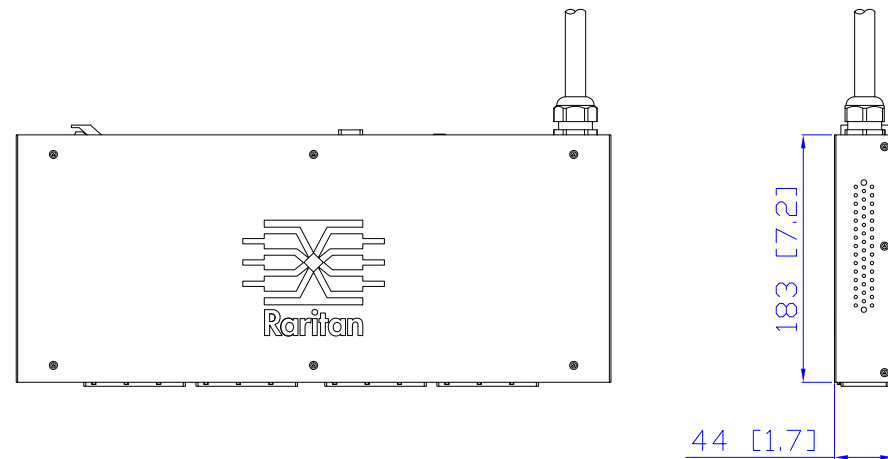
See VIEW A

See VIEW C



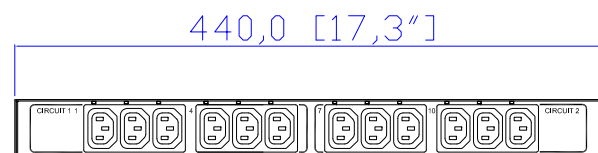
VIEW C

TOP



See VIEW B

Front



NOTES:
ALL DIMENSIONS ARE MILLIMETERS[INCHES].



PROJECTION
THIRD ANGLE
DO NOT SCALE DRAWING
SHEET 1 OF 1

THIS DRAWING AND SPECIFICATIONS HEREIN ARE THE PROPERTY OF RARITAN, Inc. AND SHALL NOT BE COPIED, REPRODUCED OR USED, IN WHOLE OR IN PART, AS THE BASIS FOR THE MANUFACTURE OR SALE OF ITEMS WITHOUT WRITTEN PERMISSION FROM RARITAN, Inc. THIS DRAWING IS BASED UPON LATEST AVAILABLE INFORMATION AND IS SUBJECT TO CHANGE WITHOUT NOTICE.

TITLE: iPDU One U
Single Phase, 24 A/200-240V
Plug Type: NEMA L7-30P
Output Type (12) IEC320 C13

DWG NO. **MPX2-5049R-F1 & MPX2-4049R-F1** REV. **0A**

Drawing Maker:	Eva Lin	May 18, 2015
Design Engineer:	Siang_H	May 18, 2015
Approver:	Tom_H	May 18, 2015