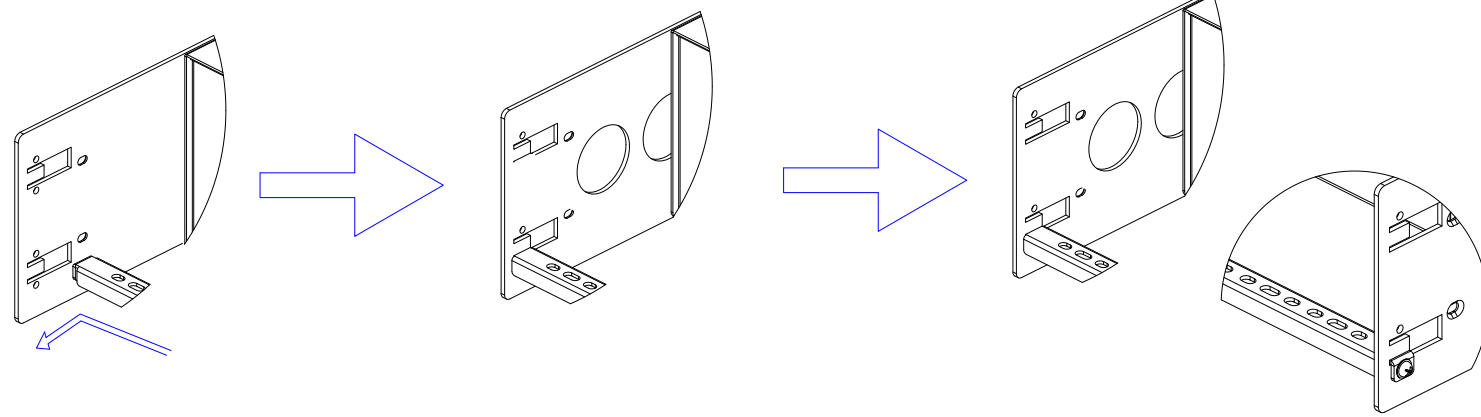


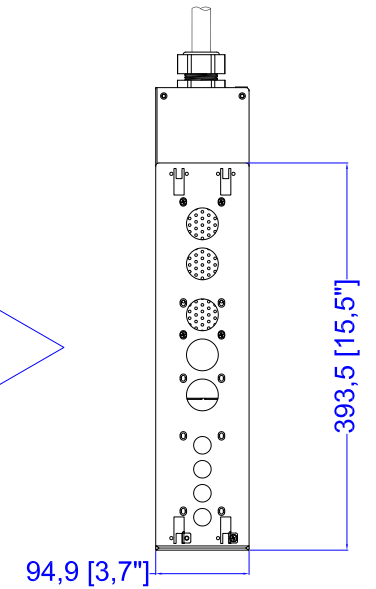


NEMA L6-20P PSE

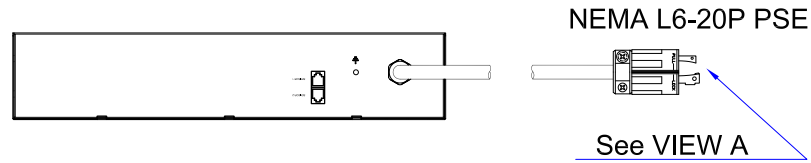
VIEW A



VIEW B



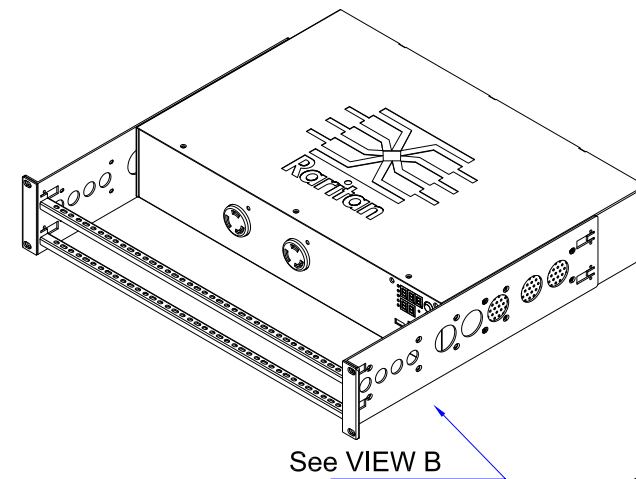
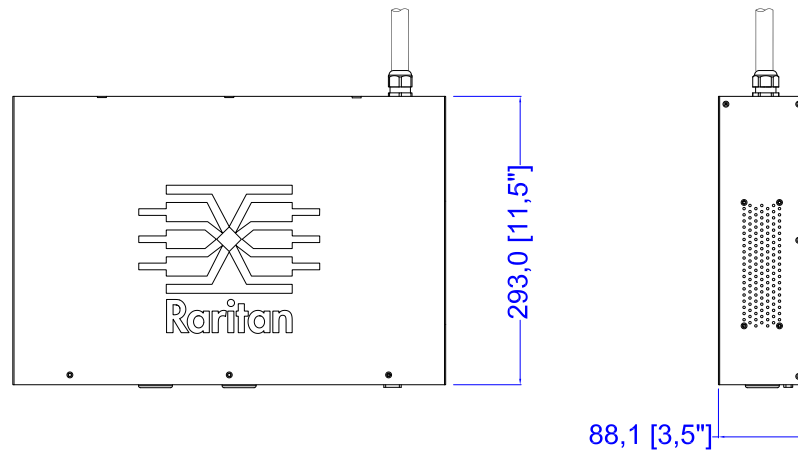
Rear



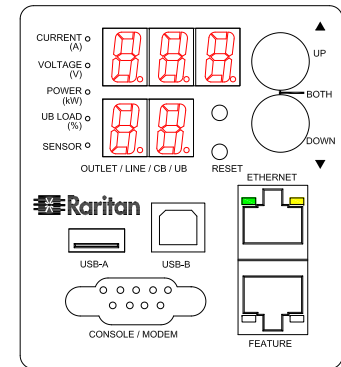
NEMA L6-20P PSE

See VIEW A

TOP

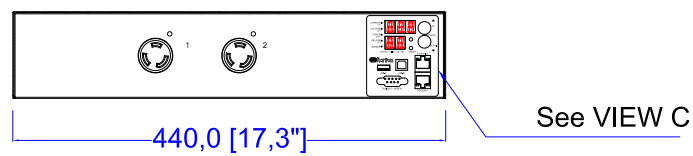


See VIEW B



VIEW C

Front



See VIEW C

NOTES:

1.ALL DIMENSIONS ARE MILLMETERS[INCHES].



PROJECTION  
THIRD ANGLE

DO NOT SCALE DRAWING  
SHEET 1 OF 1

THIS DRAWING AND SPECIFICATIONS HEREIN ARE THE PROPERTY OF RARITAN, INC. AND SHALL NOT BE COPIED, REPRODUCED OR USED, IN WHOLE OR IN PART, AS THE BASIS FOR THE MANUFACTURE OR SALE OF ITEMS WITHOUT WRITTEN PERMISSION FROM RARITAN, INC. THIS DRAWING IS BASED UPON LATEST AVAILABLE INFORMATION AND IS SUBJECT TO CHANGE WITHOUT NOTICE.

DRAWN : Eva Lin	DEC. 14, 2010
ENGINEER: Kenny	DEC. 14, 2010
APPROVED: Kevin_C	DEC. 14, 2010

TITLE: iPDU Two U,  
Single phase, 20A/200V  
Input: NEMA L6-20P PSE  
Output: (2) NEMA L6-20R PSE

DWG NO. MPX2-4103JR & MPX2-5103JR  
REV. A