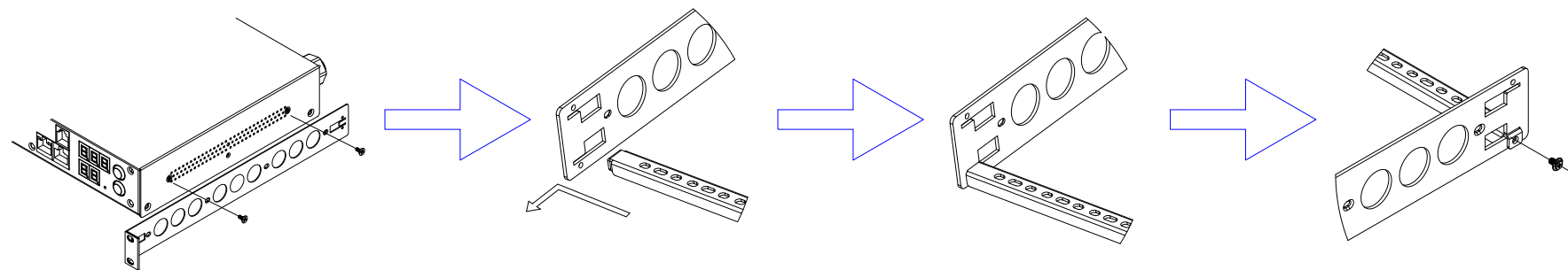


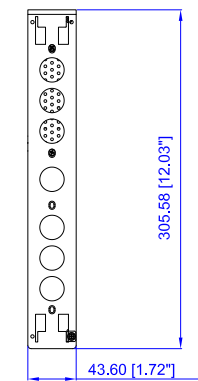


NEMA 5-15P PSE

VIEW A



VIEW B

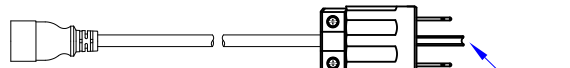


Rear

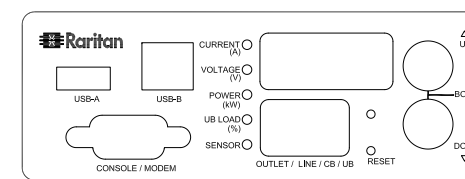


IEC60320 C19

NEMA 5-15P PSE

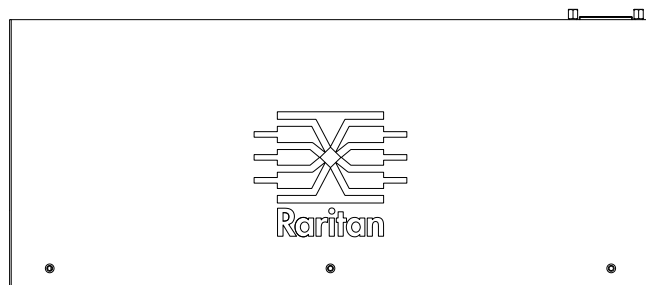


See VIEW A



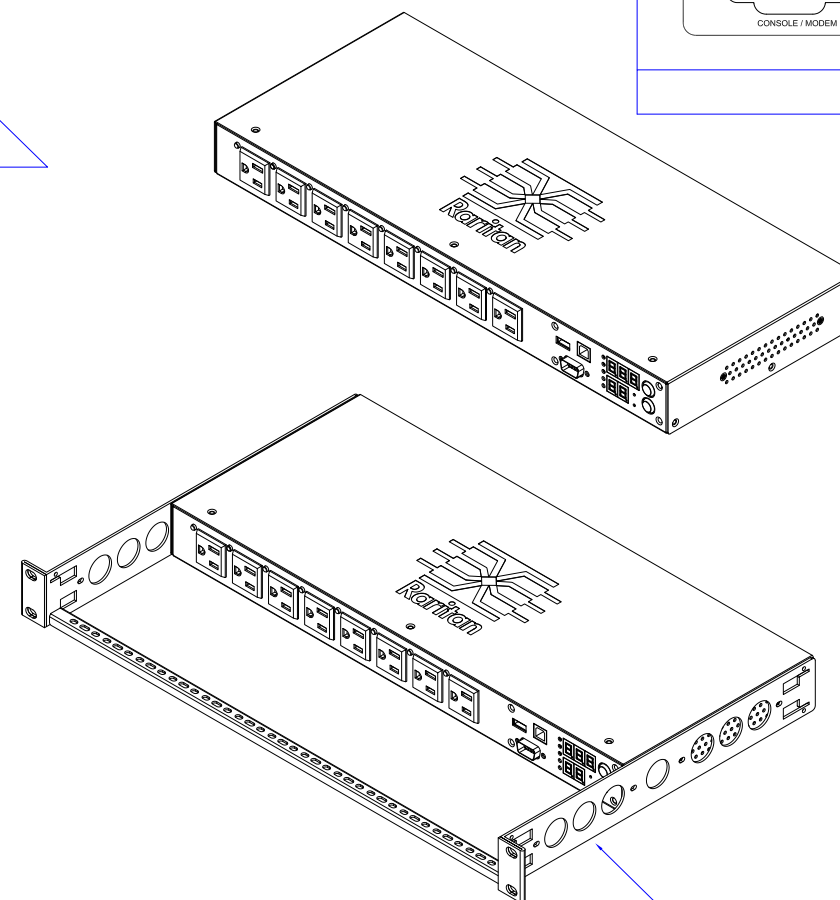
VIEW C

TOP

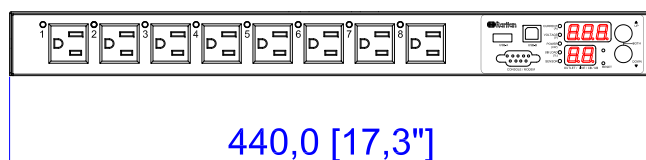


183,0 [7,2"]

43,8 [1,7"]



Front



440,0 [17,3"]

See VIEW C

See VIEW B

NOTES:

1. ALL DIMENSIONS ARE MILLIMETERS [INCHES].



PROJECTION  
THIRD ANGLE

DO NOT SCALE DRAWING

SHEET 1 OF 1

THIS DRAWING AND SPECIFICATIONS HEREIN ARE THE PROPERTY OF RARITAN, INC. AND SHALL NOT BE COPIED, REPRODUCED OR USED, IN WHOLE OR IN PART, AS THE BASIS FOR THE MANUFACTURE OR SALE OF ITEMS WITHOUT WRITTEN PERMISSION FROM RARITAN, INC. THIS DRAWING IS BASED UPON LATEST AVAILABLE INFORMATION AND IS SUBJECT TO CHANGE WITHOUT NOTICE.

TITLE: iPDU One U,  
Single Phase, 15A/100V  
Inlet Type: IEC60320 C20,  
Plug Type: NEMA 5-15P PSE  
Output Type: (8) NEMA 5-15R

DWG NO. **MPX2-5138JR & MPX2-4138JR**

REV. **A**

DRAWN : Eva Lin Nov. 03, 2011  
ENGINEER: Sam\_L Nov. 03, 2011  
APPROVED: Tom\_H Nov. 03, 2011