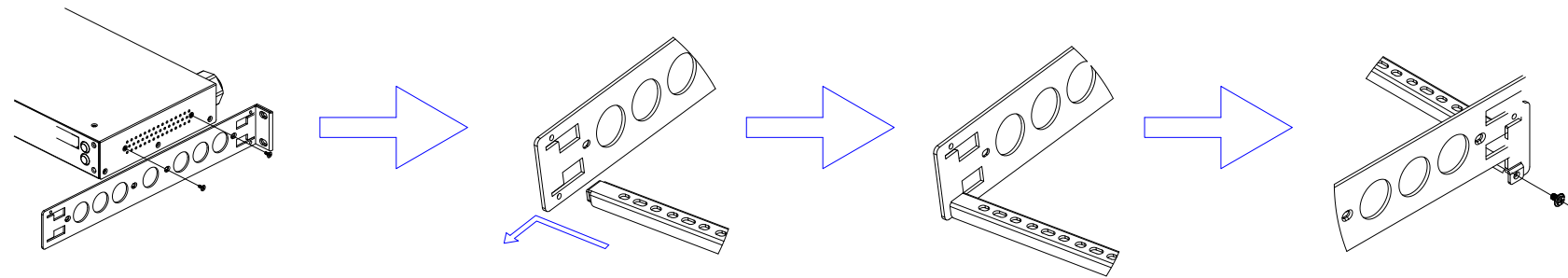
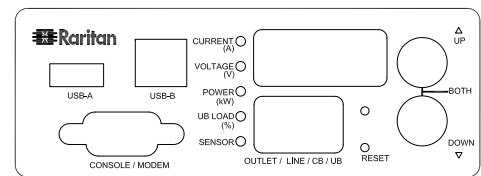
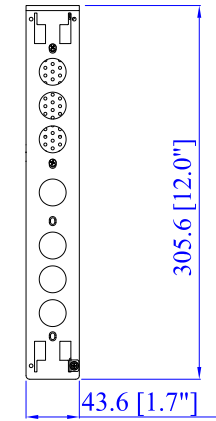


56PA332 32A/250V

VIEW A



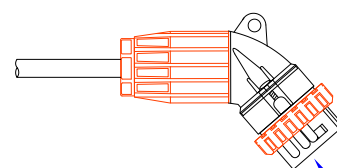
VIEW B



VIEW C

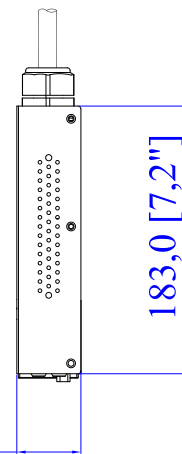
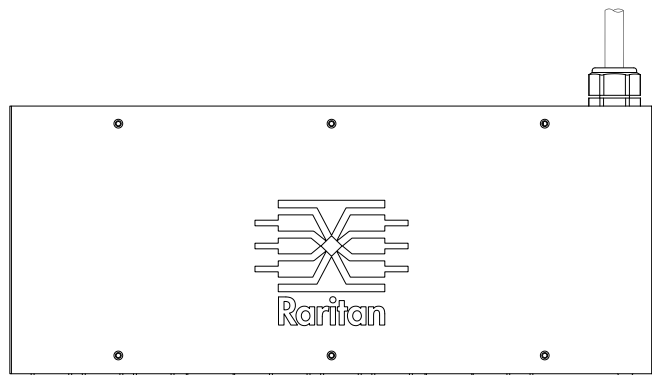
56PA332 32A/250V

Rear



See VIEW A

TOP



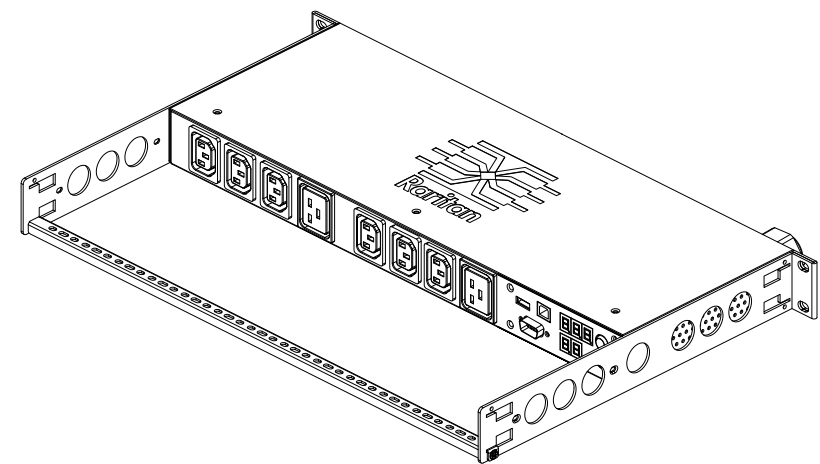
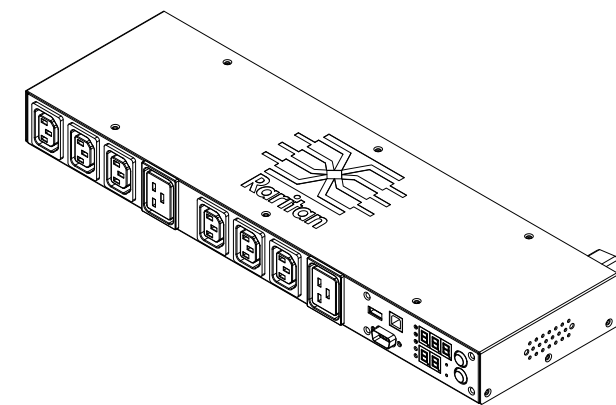
43,8 [1,7"]

Front



440,0 [17,3"]

See VIEW C



See VIEW B

NOTES:
ALL DIMENSIONS ARE MILLIMETERS[INCHES].



PROJECTION
THIRD ANGLE

DO NOT SCALE DRAWING

SHEET 1 OF 1

TITLE:
iPDU One U,
Single Phase, 32A/240V
Input: Clipsal 56PA332 32A/250V ,
Output (6)IEC320 C13 & (2)IEC320 C19

DRAWN :	Eva Lin	Dec. 7,2011
ENGINEER:	Sam_L	Dec. 7,2011
APPROVED:	Tom_H	Dec. 7,2011

THIS DRAWING AND SPECIFICATIONS HEREIN ARE THE PROPERTY OF RARITAN, INC. AND SHALL NOT BE COPIED, REPRODUCED OR USED, IN WHOLE OR IN PART, AS THE BASIS FOR THE MANUFACTURE OR SALE OF ITEMS WITHOUT WRITTEN PERMISSION FROM RARITAN, INC. THIS DRAWING IS BASED UPON LATEST AVAILABLE INFORMATION AND IS SUBJECT TO CHANGE WITHOUT NOTICE.

DWG NO.
MPX2-5205A2R & MPX2-4205A2R

REV.
A