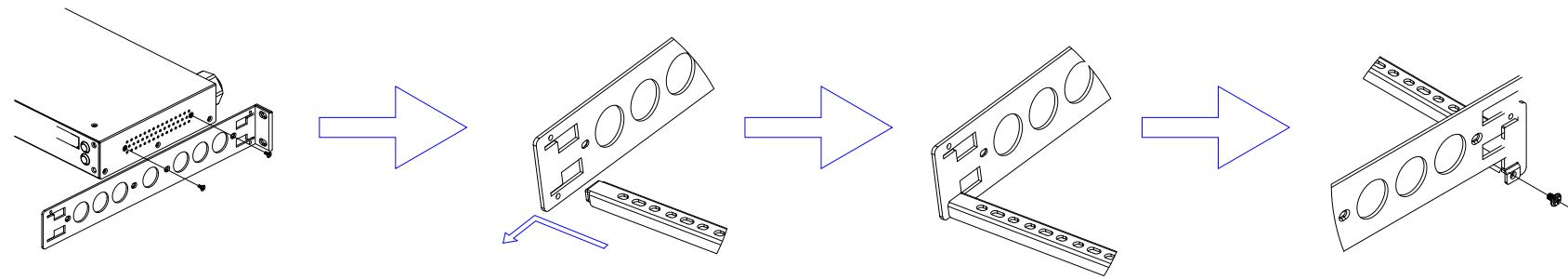
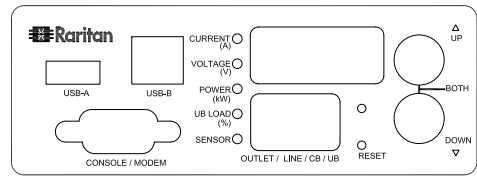
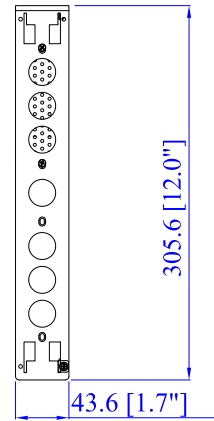


IEC60309 32A

VIEW A



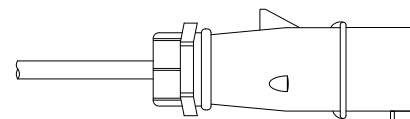
VIEW B



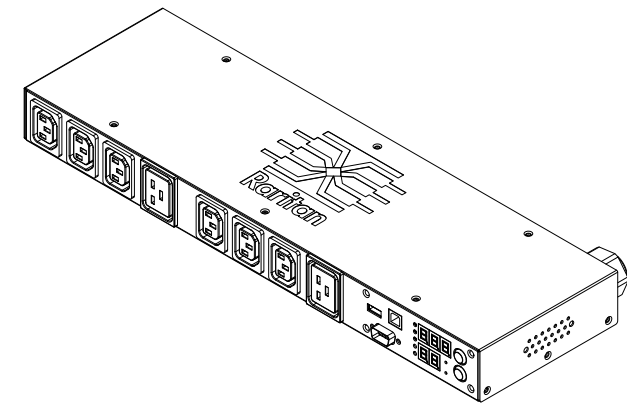
VIEW C

IEC60309 32A

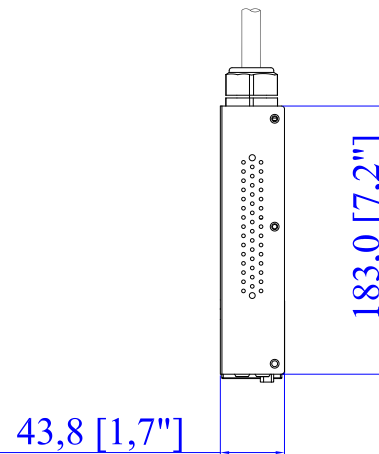
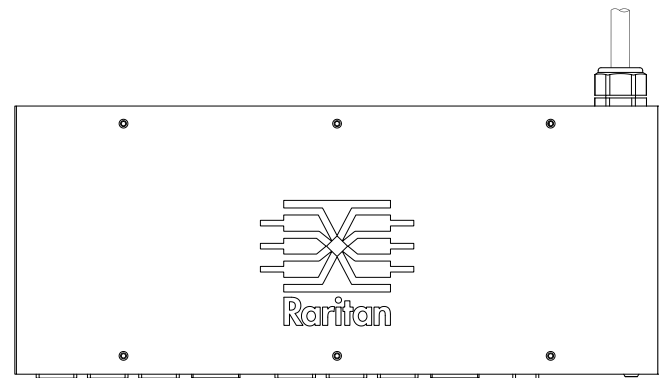
Rear



See VIEW A



TOP



Front



440,0 [17,3"]

See VIEW C

See VIEW B

NOTES:
ALL DIMENSIONS ARE MILLIMETERS[INCHES].



PROJECTION
THIRD ANGLE

DO NOT SCALE DRAWING
SHEET 1 OF 1

THIS DRAWING AND SPECIFICATIONS HEREIN ARE THE PROPERTY OF RARITAN, INC. AND SHALL NOT BE COPIED, REPRODUCED OR USED, IN WHOLE OR IN PART, AS THE BASIS FOR THE MANUFACTURE OR SALE OF ITEMS WITHOUT WRITTEN PERMISSION FROM RARITAN, INC. THIS DRAWING IS BASED UPON LATEST AVAILABLE INFORMATION AND IS SUBJECT TO CHANGE WITHOUT NOTICE.

TITLE:
iPDU One U,
Single Phase, 32A/200V-240V
Plug Type : IEC60309 32A ,
Outlet Type (6)IEC320 C13 & (2)IEC320 C19

DRAWN : Eva Lin May 07,2013
ENGINEER: Sam_L May 07,2013
APPROVED: Tom_H May 07,2013

DWG NO. **MPX2-5205R & MPX2-4205R** REV. **A**