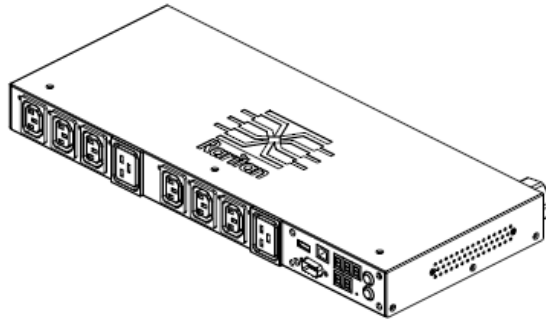


Technical Specifications / Engineering Submittals

Raritan Model Number: PX2-5205R

rev20170710

LINE DRAWING



FEATURES

Energy Metering	Voltage (V), Current (A), Active Power (kW), Real Power (kVA), Energy (kWh), Power Factor
Metering Accuracy	ISO/IEC 62053-21 1%
Metering per Input Line	Yes
Metering per Branch Circuit Breaker	Yes
Metering per Output Receptacle	Yes
Remote Outlet Switching	Yes
Environmental Sensor Ready	Yes
Replaceable Controller	No
Compatible Sensors	Temperature, Humidity, Air Flow, Differential Pressure, Water Leak, and Contact Closure
Networking	(10/100 BaseT) Ethernet port. Optional WiFi (802.11a/b/g/n)
Remote Management	HTTP(s); SSH; Telnet; RS-232 (Serial); Power IQ; SNMP version v2/v3; SMTP; JSON-RPC
Cascading	Yes, Max 8 PDUs can be daisy chained using USB connection
Onboard Display	3-digit LED user-selectable display : Voltage, current, or active power (per line, per breaker or per receptacle / outlet)
Embedded Processor	ARM9 400MHZ (Atmel SAM9G20), 16MB NOR Flash, 64MB SDRAM

Technical Specifications / Engineering Submittals

Raritan Model Number: PX2-5205R

rev20170710

INPUT

Input Plug	IEC 60309 2P+E 6h 32A (2P3W)
Cord Length	3 meters (9.84 feet) standard
Cord Entry	Rear feed
Cable Type	IP44("splashproof")
Number of Power Cords	1
Maximum Input Current	32A
Nominal Input Voltage	230V
Rated Input Voltage	200 - 240V
Input Frequency	50/60Hz
Power Capacity	6.4kVA at 200V, 7.7kVA at 240V

OUTPUT

Nominal Output Voltage	230V
Rated Output Voltage	200 - 240V
Receptacles (Output Connections)	(6) IEC320 C13, 10A (2) IEC320 C19, 16A
Securelock Support	Yes
Cord Retention	No
Overload Protection	(2) Airpax LEGBX6-37483-16-V

PHYSICAL

Color	Black powder coat (custom colors available)
Unit Dimensions (WxDxH)	17.32" x 7.2" x 1.72" ; 440.00 x 183.0x 43.80 mm
Unit Weight	6.35 kg
Shipping Weight	6.95 kg
Shipping Dimensions (WxDxH)	16.34" x 12.6" x 22.44" ; 415mm x 320mm x 570mm
Mounting	100-89-8430-00

Technical Specifications / Engineering Submittals

Raritan Model Number: PX2-5205R

rev20170710

ENVIRONMENTAL

Operating Temperature 50°C

Operating Relative Humidity 85%

Operating Elevation 0-10000ft

CONFORMANCE

Regulatory Approvals CE, Canada ICES-003, Part 15 Class A of the FCC rules,
RoHS compliant

Warranty Standard 2 years manufacturer warranty

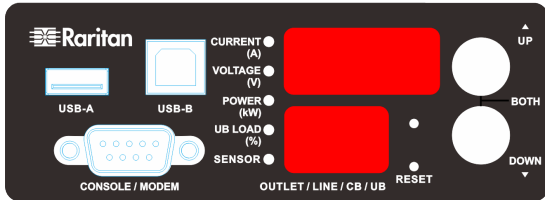
Technical Specifications / Engineering Submittals

Raritan Model Number: PX2-5205R

rev20170710

CONTROL PANEL

Dimension: 111.5mm x 40.5mm

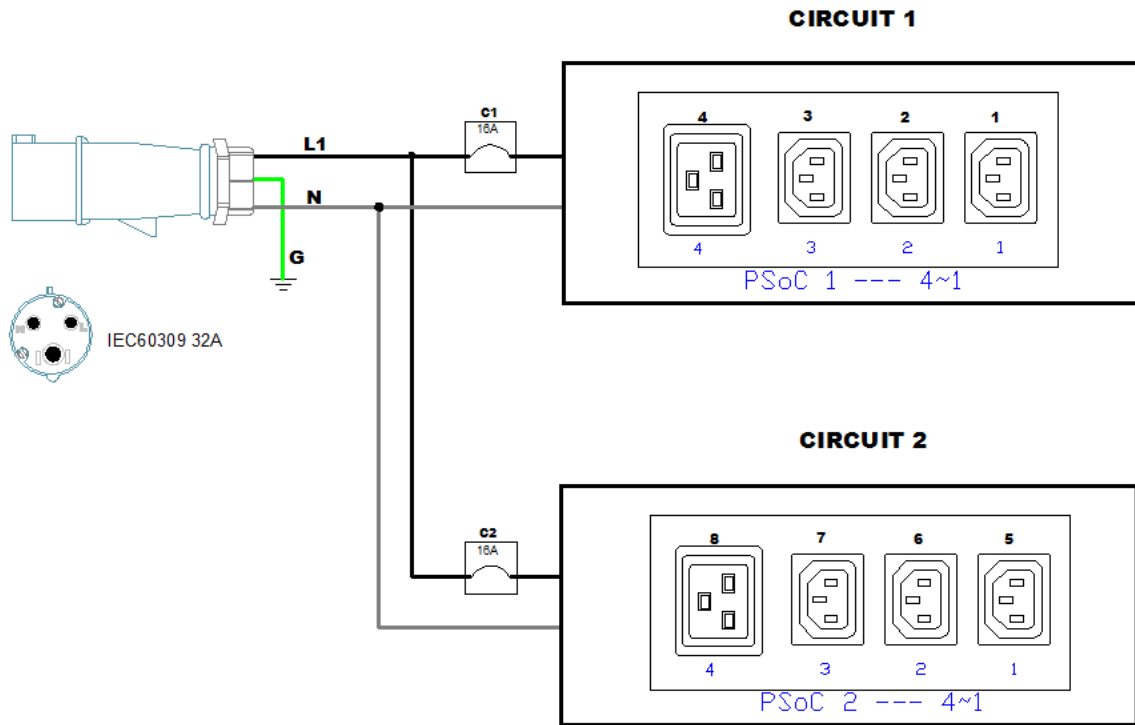


Technical Specifications / Engineering Submittals

Raritan Model Number: PX2-5205R

rev20170710

ELECTRICAL (ONE LINE) DIAGRAM

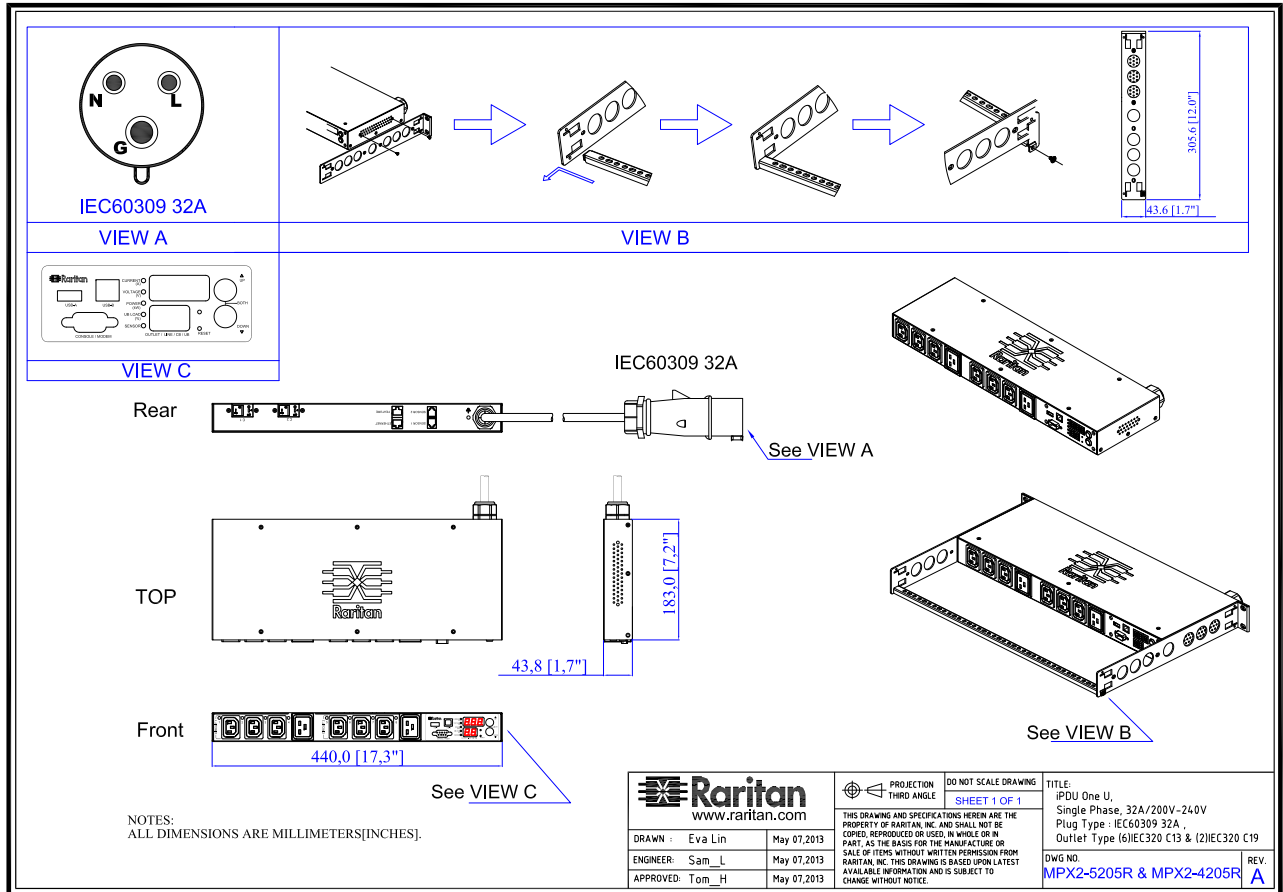


Technical Specifications / Engineering Submittals

Raritan Model Number: PX2-5205R

rev20170710

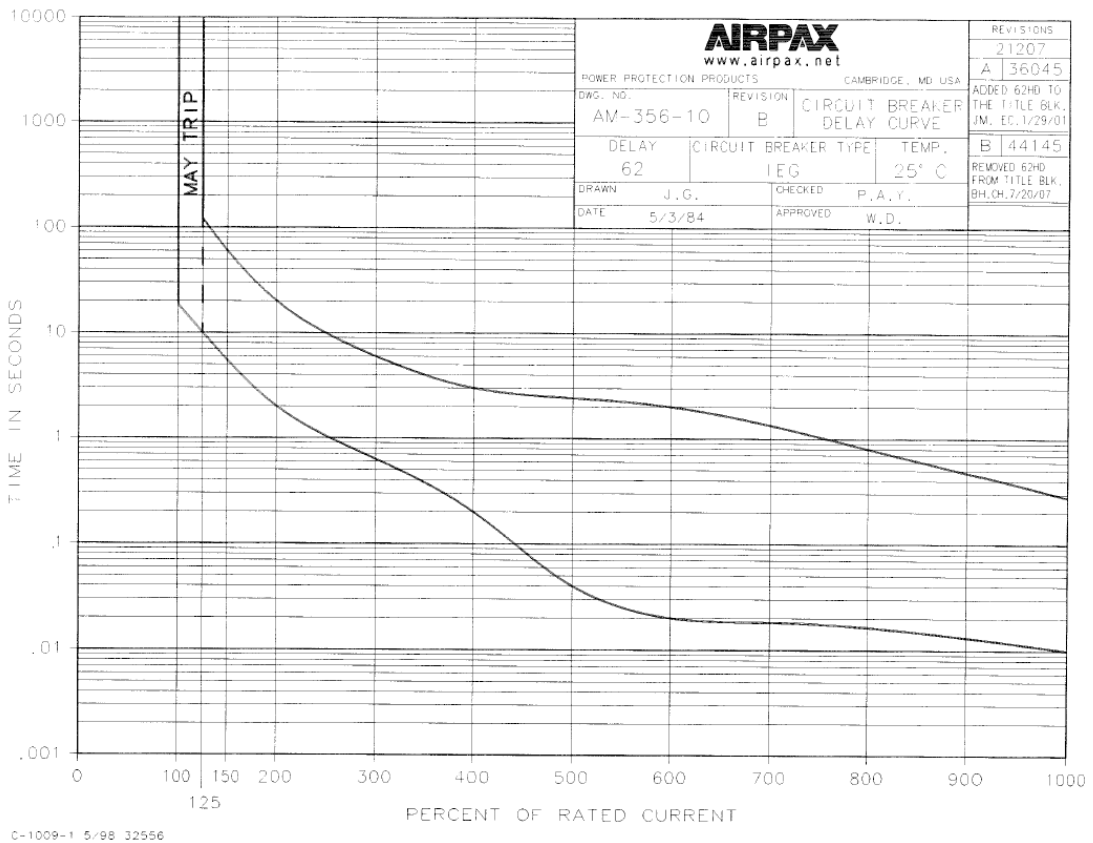
MECHANICAL DIAGRAM



Technical Specifications / Engineering Submittals
Raritan Model Number: PX2-5205R

rev20170710

TRIP CURVE



7