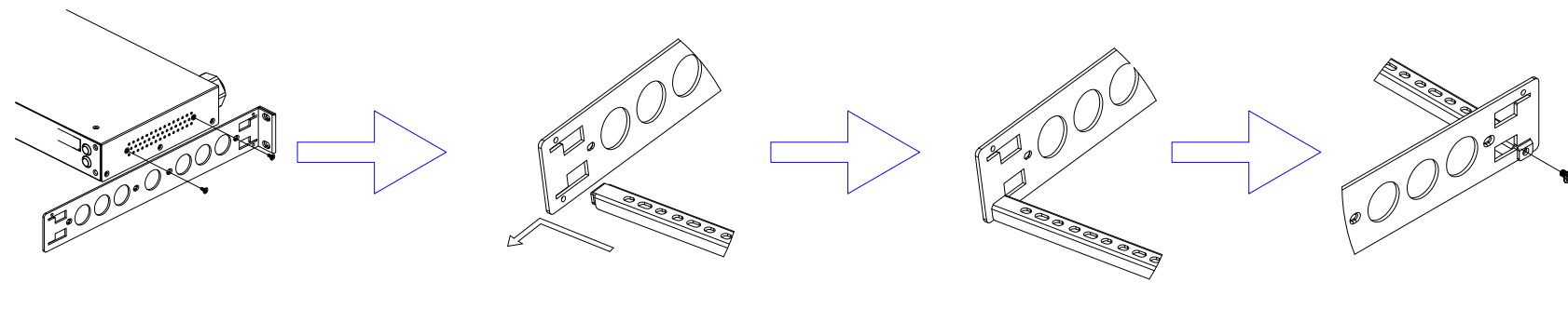
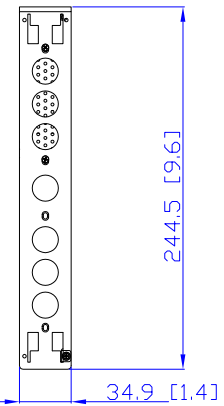


NEMA L6-30P

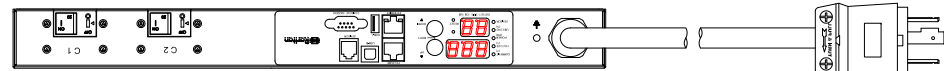
VIEW A



VIEW B

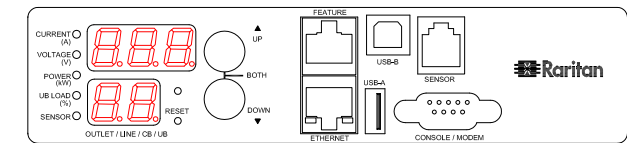


Rear



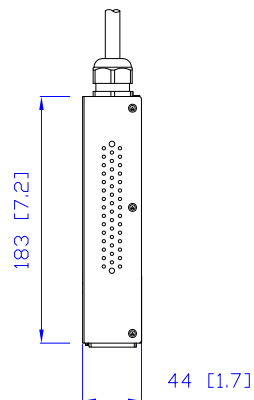
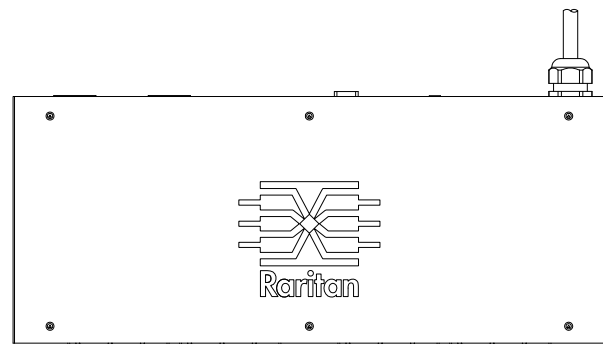
See VIEW C

See VIEW A

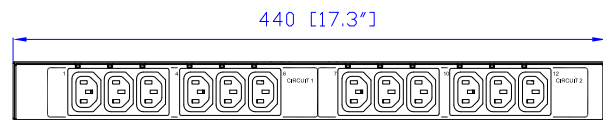


VIEW C

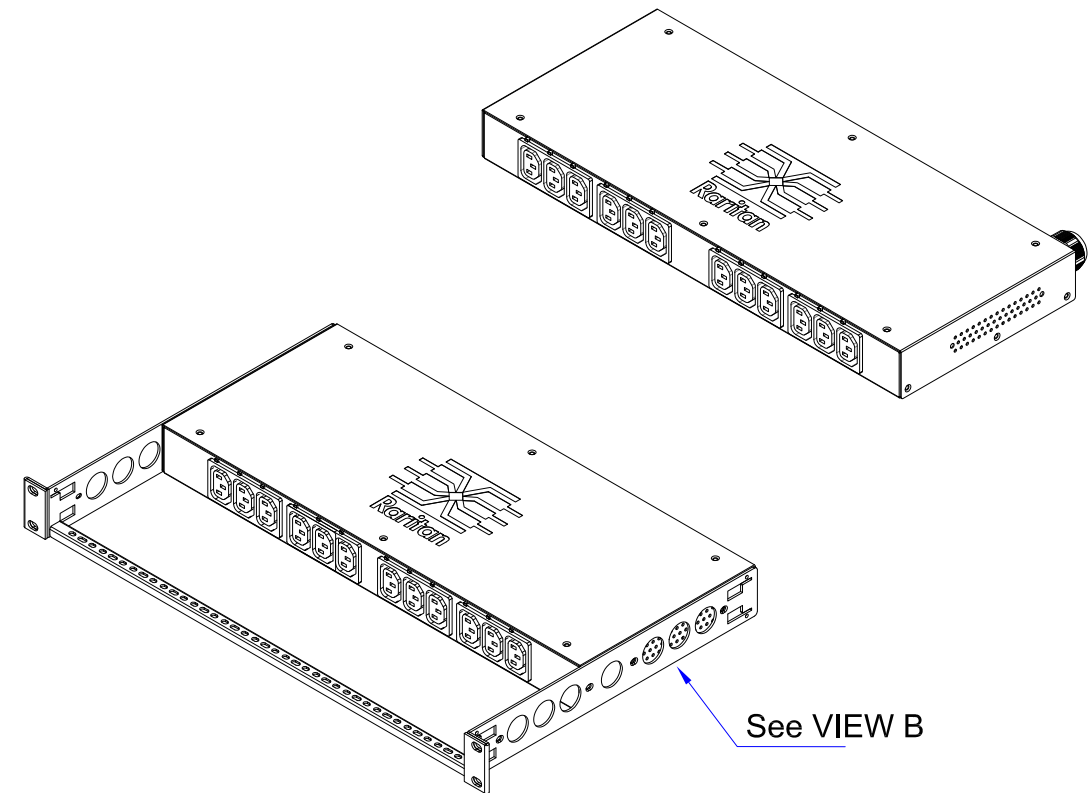
TOP



Front



440 [17.3"]



See VIEW B

NOTES:  
ALL DIMENSIONS ARE MILLIMETERS[INCHES].



PROJECTION  
THIRD ANGLE

DO NOT SCALE DRAWING  
SHEET 1 OF 1

THIS DRAWING AND SPECIFICATIONS HEREIN ARE THE PROPERTY OF RARITAN, Inc. AND SHALL NOT BE COPIED, REPRODUCED OR USED, IN WHOLE OR IN PART, AS THE BASIS FOR THE MANUFACTURE OR SALE OF ITEMS WITHOUT WRITTEN PERMISSION FROM RARITAN, Inc. THIS DRAWING IS BASED UPON LATEST AVAILABLE INFORMATION AND IS SUBJECT TO CHANGE WITHOUT NOTICE.

TITLE: iPDU Zero U  
Single Phase, 24A/200-240V  
Plug Type: NEMA L6-30P,  
Output Type (12) IEC320 C13

DWG NO. **MPX2-5284R & MPX2-4284R**

REV. **0B**

Drawing Maker:	Eva Lin	Oct. 28, 2015
Design Engineer:	Siang_H	Oct. 28, 2015
Approver:	Tom_H	Oct. 28, 2015