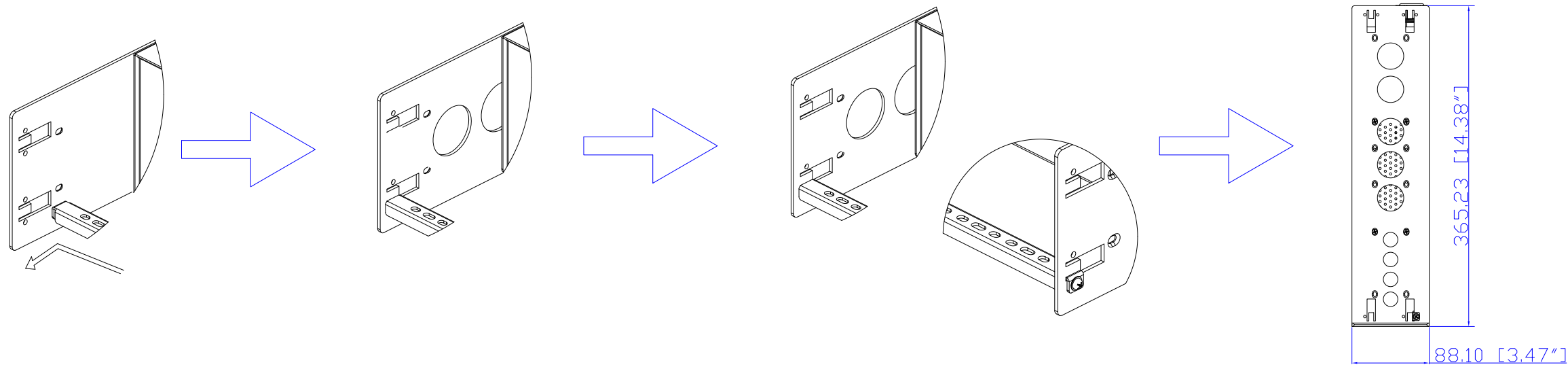


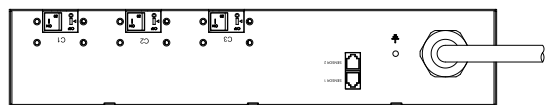
NEMA L21-30P

VIEW A

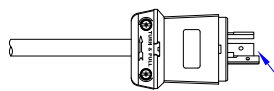


VIEW B

Rear

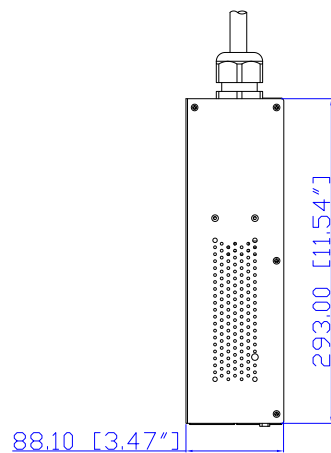
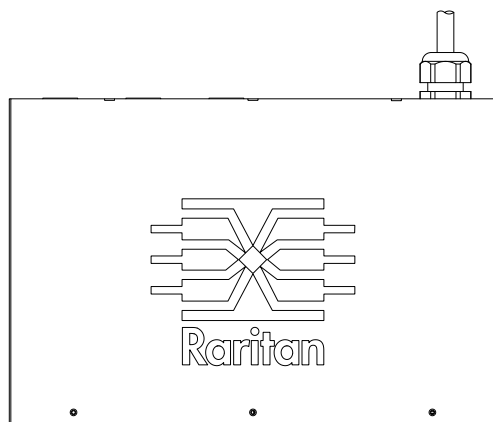


NEMA L21-30P

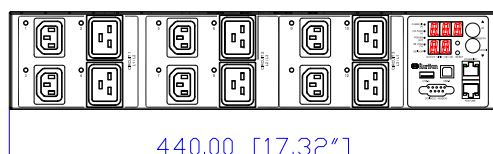


See VIEW A

TOP

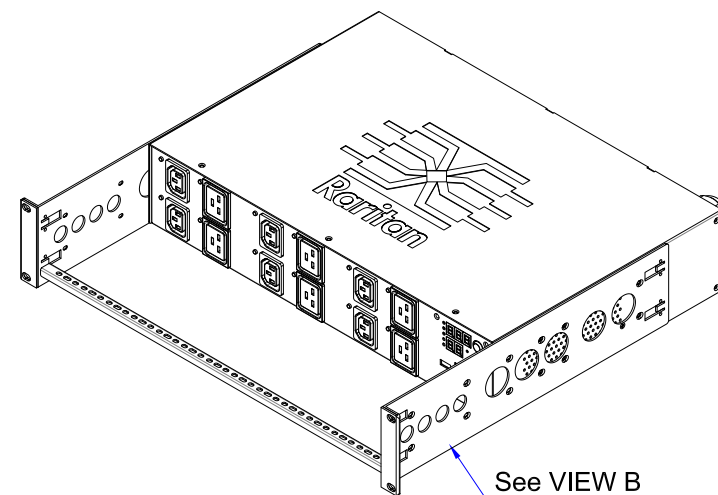


Front

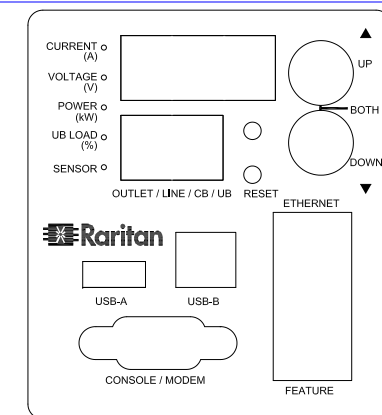
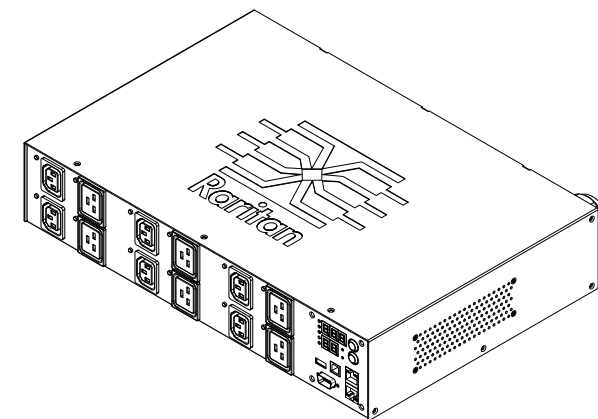


440.00 [17.32"]

See VIEW C

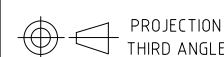


See VIEW B



VIEW C

NOTES:  
ALL DIMENSIONS ARE MILLIMETERS[INCHES].



PROJECTION  
THIRD ANGLE

DO NOT SCALE DRAWING

SHEET 1 OF 1

DRAWN :	EvaLin	May 27,2013
ENGINEER:	Siang_H	May 27,2013
APPROVED:	Tom_H	May 27,2013

THIS DRAWING AND SPECIFICATIONS HEREIN ARE THE PROPERTY OF AMERICAN POWER CONVERSION AND SHALL NOT BE COPIED, REPRODUCED OR USED IN WHOLE OR IN PART, AS THE BASIS FOR THE MANUFACTURE OR SALE OF ITEMS WITHOUT WRITTEN PERMISSION FROM APC. THIS DRAWING IS BASED UPON LATEST AVAILABLE INFORMATION AND IS SUBJECT TO CHANGE WITHOUT NOTICE.

TITLE:  
iPDU Two U,  
Three phase, 24A/190V-208V  
Plug Type: NEMA L21-30P  
Outlet Type : (6) IEC320 C13, (6) IEC 320 C19

DWG NO.  
**MPX2-5339R & MPX2-4339R**

REV.  
**A**