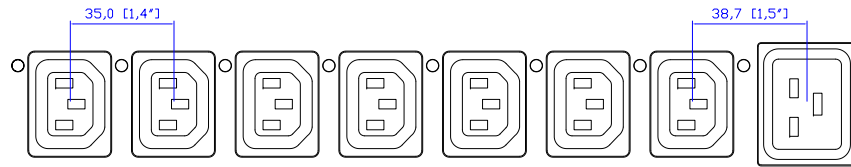
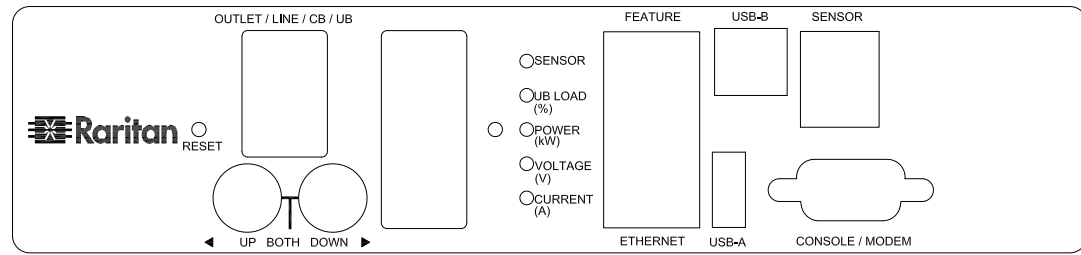


NEMA L6-20P

VIEW A

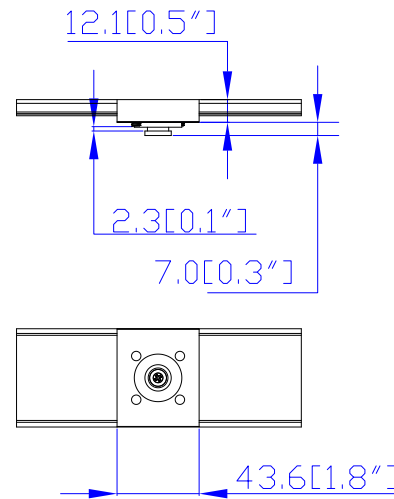


VIEW B

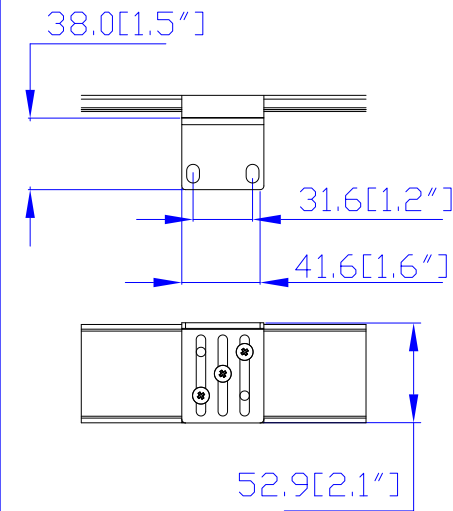


VIEW C

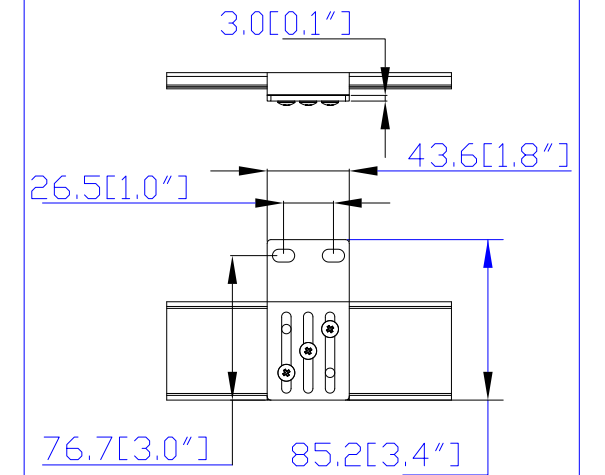
Option 1.



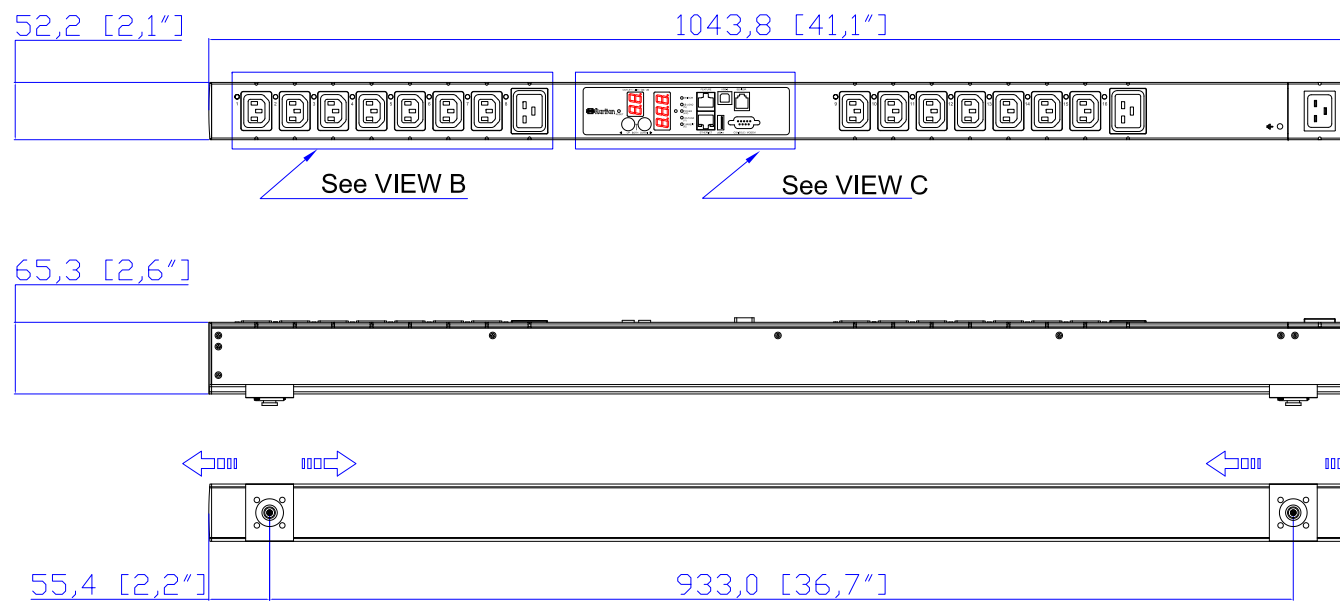
Option 2.



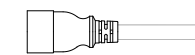
Option 3.



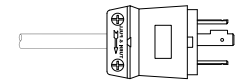
VIEW D



IEC 320 C19



NEMA L6-20P

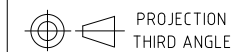


See VIEW A

NOTES:
1. ALL DIMENSIONS ARE MILLIMETERS [INCHES].



DRAWN :	EVA LIN	Jan. 11, 2013
ENGINEER:	Siang_H	Jan. 11, 2013
APPROVED:	Tom_H	Jan. 11, 2013



PROJECTION
THIRD ANGLE
DO NOT SCALE DRAWING
SHEET 1 OF 1
THIS DRAWING AND SPECIFICATIONS HEREIN ARE THE PROPERTY OF RARITAN, INC. AND SHALL NOT BE COPIED, REPRODUCED OR USED, IN WHOLE OR IN PART, AS THE BASIS FOR THE MANUFACTURE OR SALE OF ITEMS WITHOUT WRITTEN PERMISSION FROM RARITAN, INC. THIS DRAWING IS BASED UPON LATEST AVAILABLE INFORMATION AND IS SUBJECT TO CHANGE WITHOUT NOTICE.

TITLE:
iPDU Zero U,
Single Phase, 16A/200V-240V,
Inlet Type: IEC60320 C20
Plug Type :NEMA L6-20P,
Outlet Type: (14)IEC320 C13, (2)IEC320 C19

DWG NO.
MPX2-5358 & MPX2-4358
REV.
A