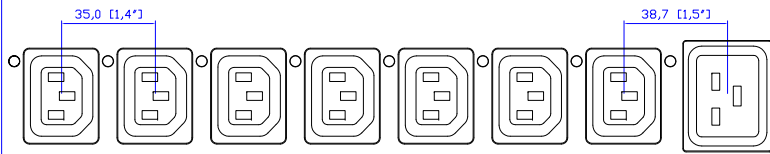
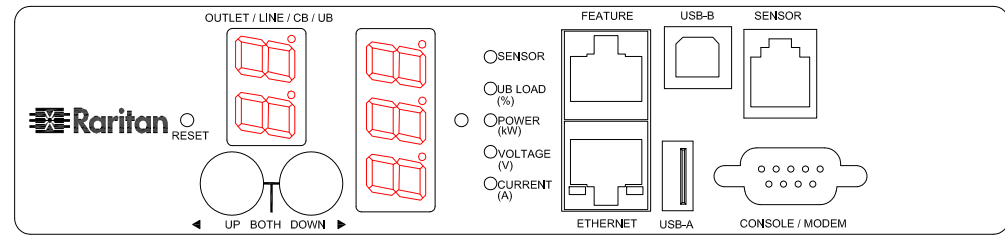


IEC60309 16A
VIEW A

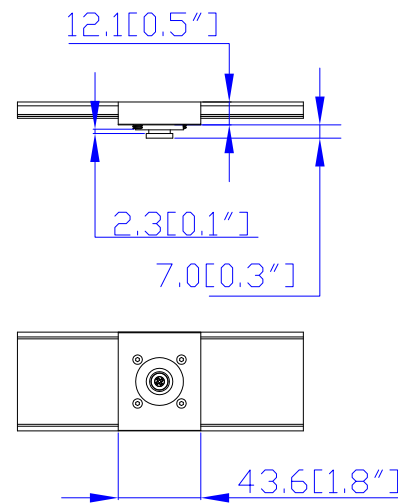


VIEW B

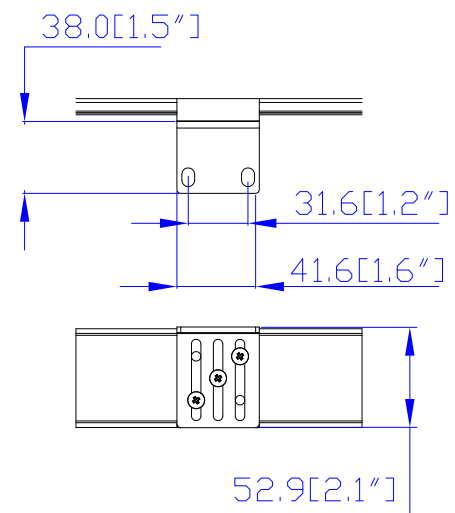


VIEW C

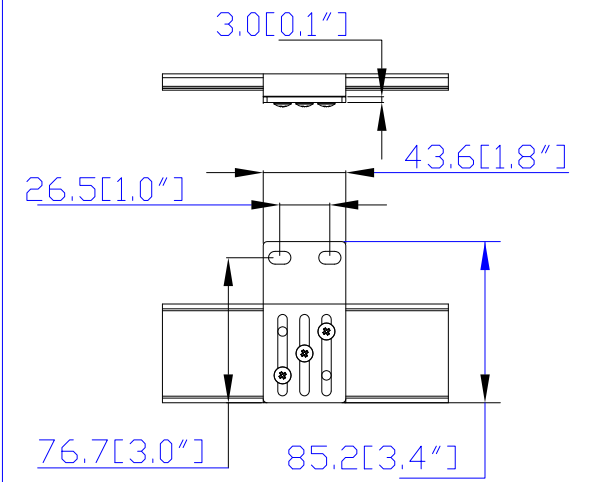
Option 1.



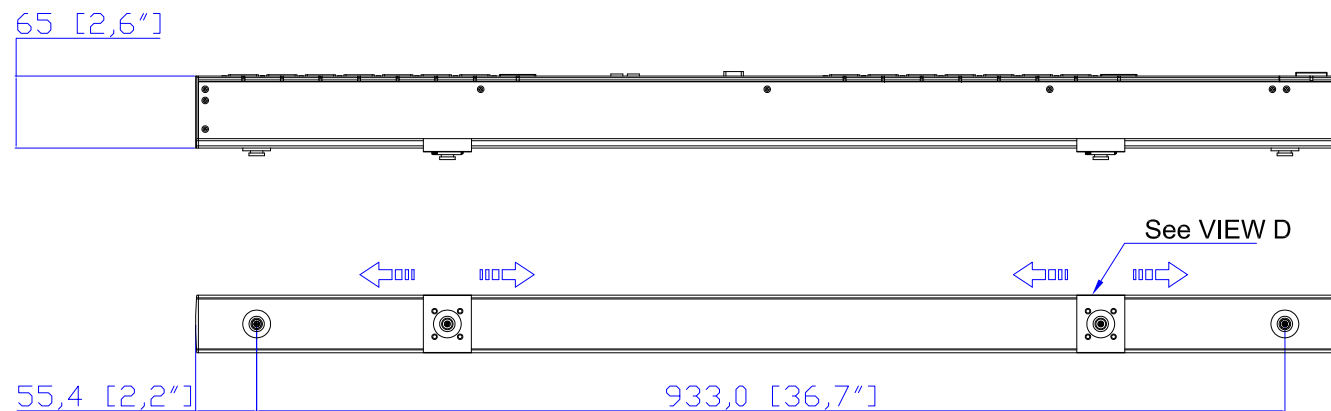
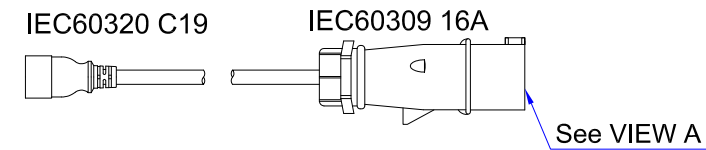
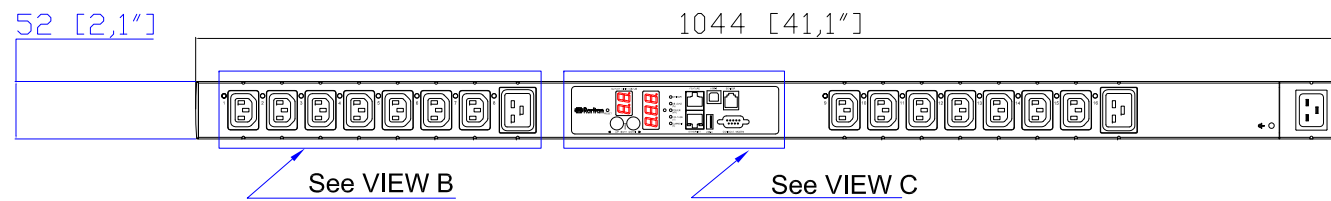
Option 2.



Option 3.



VIEW D



NOTES:
1.ALL DIMENSIONS ARE MILLIMETERS[INCHES].



Drawing Maker:	Eva Lin	Jul. 23, 2015
Design Engineer:	Siang_H	Jul. 23, 2015
Approver:	Tom_H	Jul. 23, 2015



DO NOT SCALE DRAWING
SHEET 1 OF 1
THIS DRAWING AND SPECIFICATIONS HEREIN ARE THE PROPERTY OF RARITAN, INC. AND SHALL NOT BE COPIED, REPRODUCED OR USED, IN WHOLE OR IN PART, AS THE BASIS FOR THE MANUFACTURE OR SALE OF ITEMS WITHOUT WRITTEN PERMISSION FROM RARITAN, INC. THIS DRAWING IS BASED UPON LATEST AVAILABLE INFORMATION AND IS SUBJECT TO CHANGE WITHOUT NOTICE.

TITLE:
iPDU Zero U
Single Phase, 16A/200V-240V
Inlet Type:IEC60320 C20
Plug Type: IEC60309 16A
Outlet Type: (14)IEC320 C13,(2)IEC320 C19

DWG NO. **MPX2-5367 & MPX2-4367** REV. **0B**