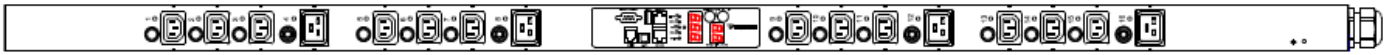


Technical Specifications / Engineering Submittals

Raritan Model Number: PX2-5395U

rev20170831

LINE DRAWING



FEATURES

Energy Metering	Voltage (V), Current (A), Active Power (kW), Real Power (kVA), Energy (kWh), Power Factor
Metering Accuracy	ISO/IEC 62053-21 1%
Metering per Input Line	Yes
Metering per Branch Circuit Breaker	Yes
Metering per Output Receptacle	Yes
Remote Outlet Switching	Yes
Environmental Sensor Ready	Yes
Replaceable Controller	No
Compatible Sensors	Temperature, Humidity, Air Flow, Differential Pressure, Water Leak, and Contact Closure
Networking	(10/100 BaseT) Ethernet port. Optional WiFi (802.11a/b/g/n)
Remote Management	HTTP(s); SSH; Telnet; RS-232 (Serial); Power IQ; SNMP version v2/v3; SMTP; JSON-RPC
Cascading	Yes, Max 8 PDUs can be daisy chained using USB connection
Onboard Display	3-digit LED user-selectable display : Voltage, current, or active power (per line, per breaker or per receptacle / outlet); Auto-flip orientation
Embedded Processor	ARM9 400MHZ (Atmel SAM9G20), 16MB NOR Flash, 64MB SDRAM

Technical Specifications / Engineering Submittals

Raritan Model Number: PX2-5395U

rev20170831

INPUT

Input Plug	IEC 60309 2P+E 6h 32A (2P3W)
Cord Length	3 meters (9.84 feet) standard
Cord Entry	Top-end feed
Cable Type	IP44("splashproof")
Number of Power Cords	1
Maximum Input Current	32A
Nominal Input Voltage	230V
Rated Input Voltage	200 - 240V
Input Frequency	50/60Hz
Power Capacity	6.4kVA at 200V, 7.7kVA at 240V

OUTPUT

Nominal Output Voltage	230V
Rated Output Voltage	200 - 240V
Receptacles (Output Connections)	(12) IEC320 C13, 10A (4) IEC320 C19, 16A
Securelock Support	Yes
Cord Retention	Yes
Overload Protection	(16) RFMB-16

PHYSICAL

Color	Black powder coat (custom colors available)
Unit Dimensions (WxDxH)	2.1" x 2.56" x 60.6" ; 52mm x 65mm x 1539mm
Unit Weight	5.5 kg
Shipping Weight	7.9 kg
Shipping Dimensions (WxDxH)	11.02" x 4.53" x 71.46" ; 280mm x 115mm x 1815mm
Mounting	G2-RACK-FOR-ZU

Technical Specifications / Engineering Submittals

Raritan Model Number: PX2-5395U

rev20170831

ENVIRONMENTAL

Operating Temperature 50°C

Operating Relative Humidity 85%

Operating Elevation 0-10000ft

CONFORMANCE

Regulatory Approvals CE, Canada ICES-003, Part 15 Class A of the FCC rules,
RoHS compliant

Warranty Standard 2 years manufacturer warranty

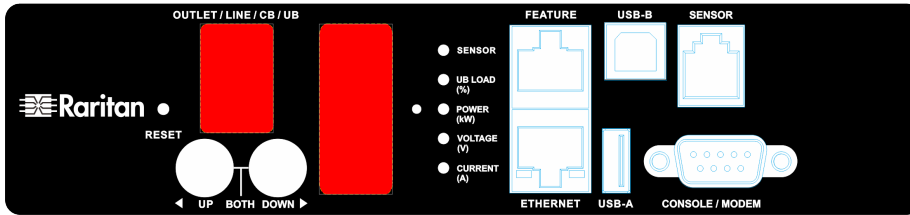
Technical Specifications / Engineering Submittals

Raritan Model Number: PX2-5395U

rev20170831

CONTROL PANEL

Dimension: 188mm x 43mm

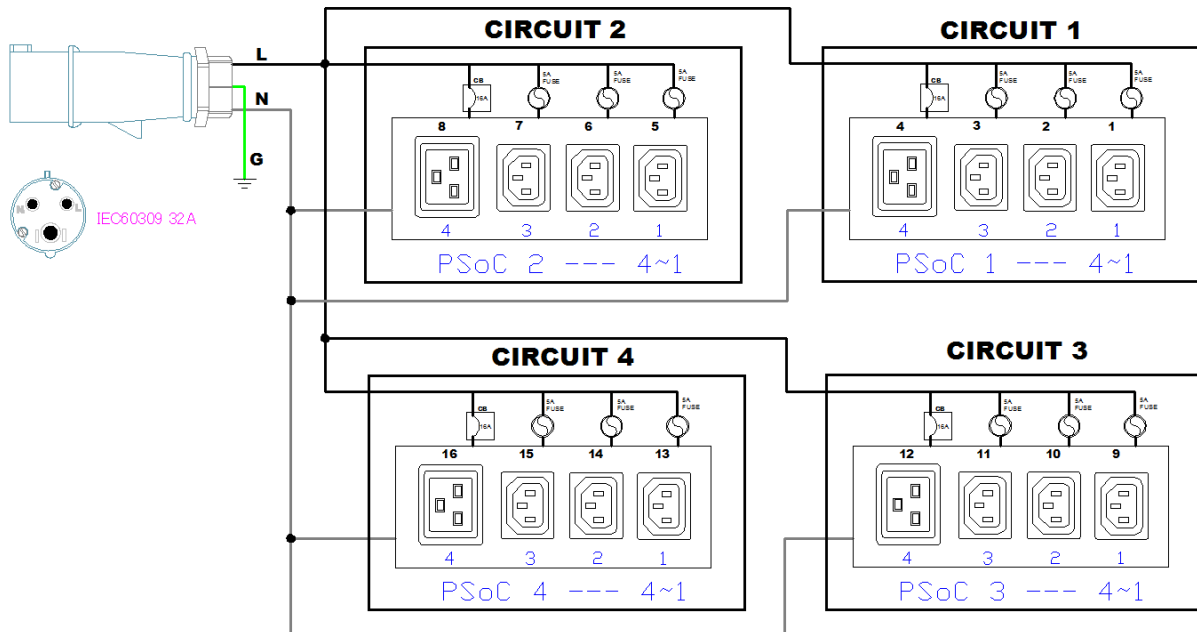


Technical Specifications / Engineering Submittals

Raritan Model Number: PX2-5395U

rev20170831

ELECTRICAL (ONE LINE) DIAGRAM

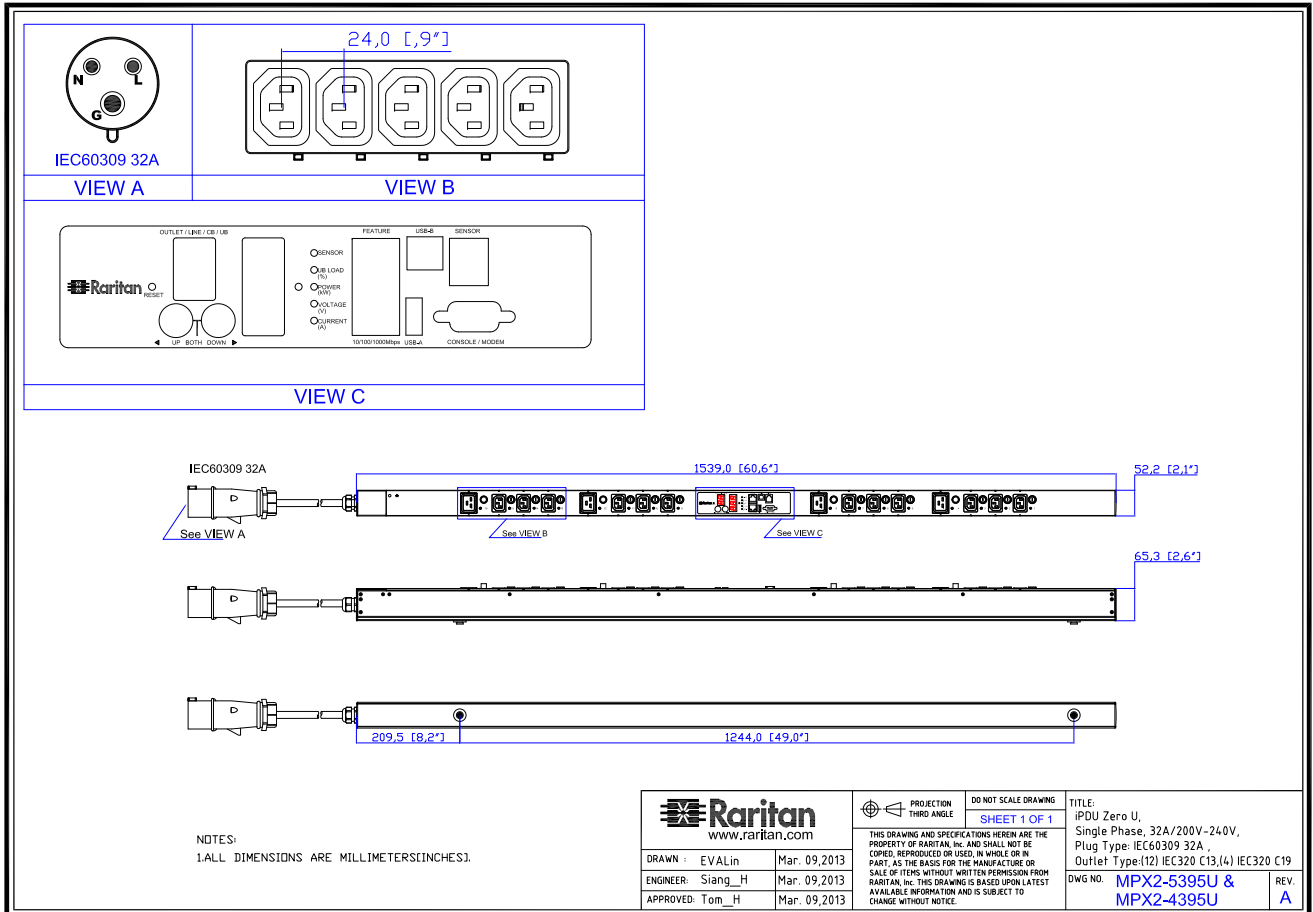


Technical Specifications / Engineering Submittals

Raritan Model Number: PX2-5395U

rev20170831

MECHANICAL DIAGRAM



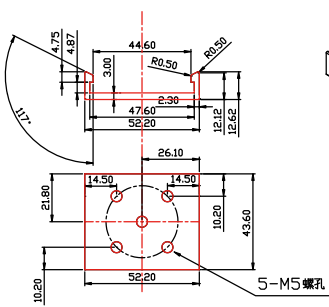
Technical Specifications / Engineering Submittals

Raritan Model Number: PX2-5395U

rev20170831

Mounting Diagram (G2-RACK-FOR-ZU)

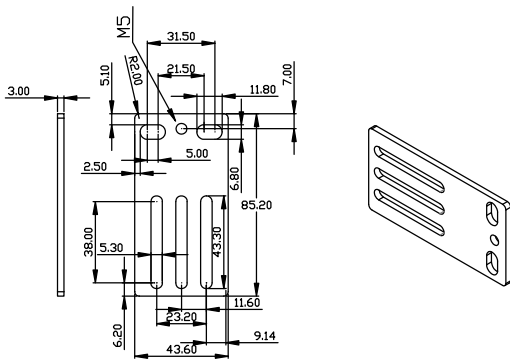
250-70-0104-00



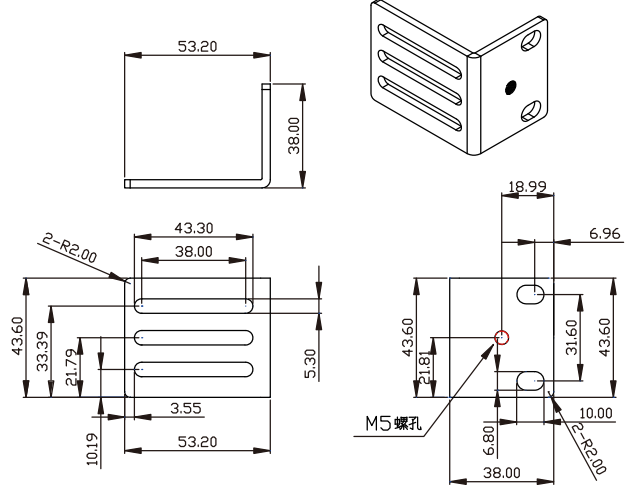
250-80-0011-00



250-70-0007-00



250-70-0093-00



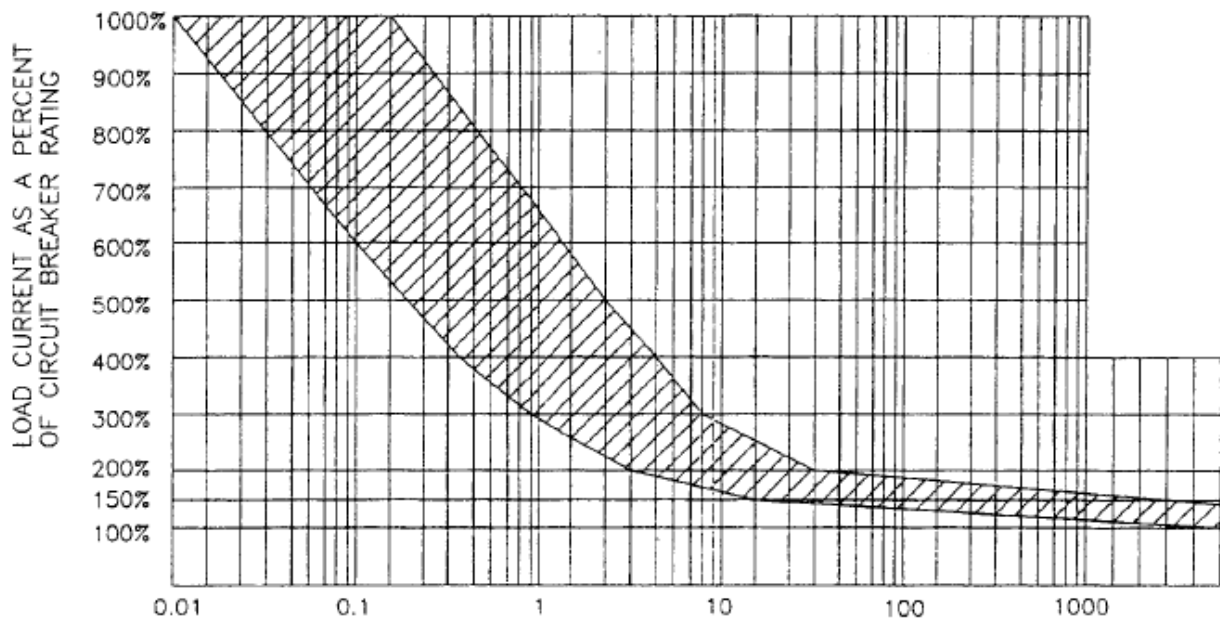
Technical Specifications / Engineering Submittals

Raritan Model Number: PX2-5395U

rev20170831

TRIP CURVE

Trip Curves



TRIP TIME FACTOR	
-10°C	X1.70
-5°C	X1.60
0°C	X1.50
5°C	X1.40
10°C	X1.30
15°C	X1.20
20°C	X1.10
25°C	X1.00

TRIP TIME FACTOR	
30°C	X0.90
35°C	X0.85
40°C	X0.80
45°C	X0.75
50°C	X0.70
55°C	X0.65
60°C	X0.60

OVERLOAD	TRIP TIME
100 %	NO TRIP
150 %	TRIP IN 1 HR
200 %	4.0~40 sec
300 %	0.9~8.0 sec
400 %	0.42~5.0 sec
500 %	0.25~3.0 sec
600 %	0.1~1.8 sec