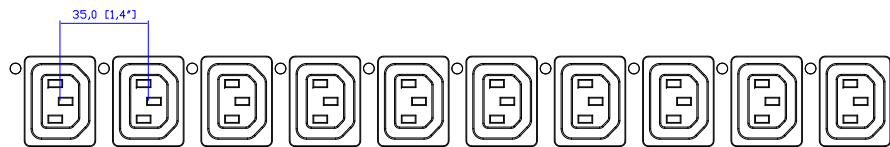
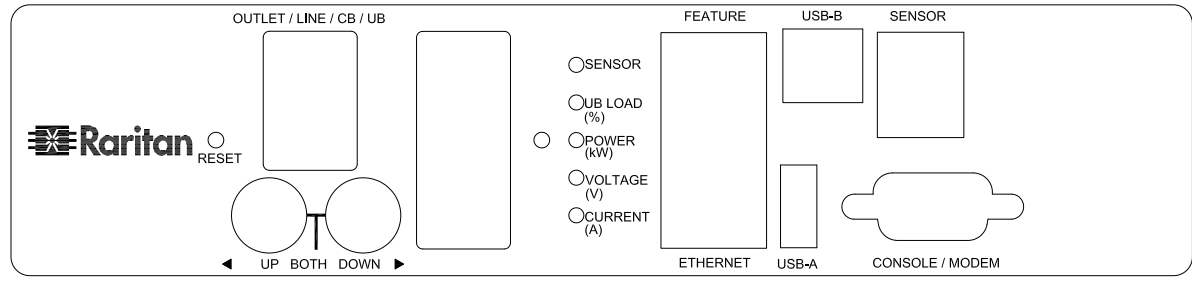


IEC309 16A/250V
P+N+PE

VIEW A

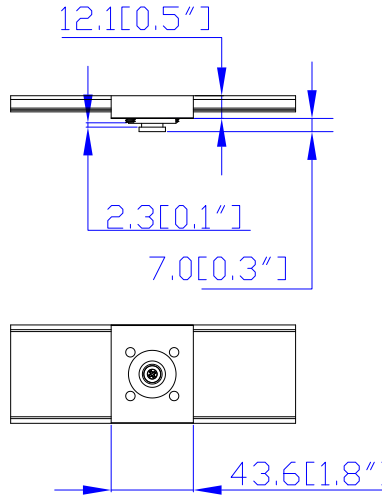


VIEW B

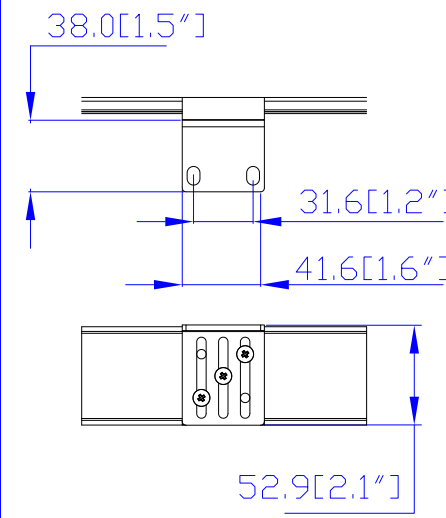


VIEW C

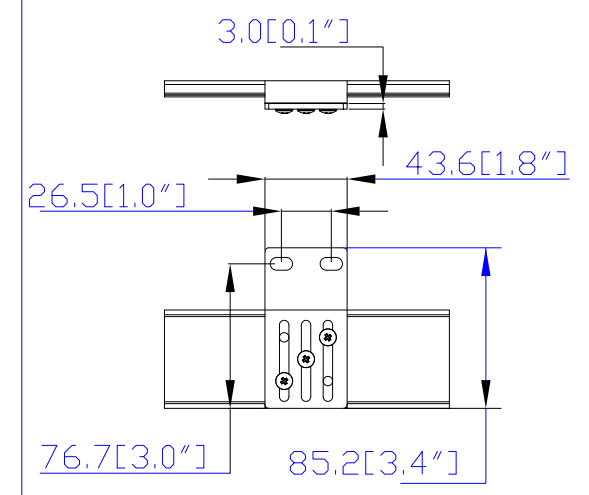
Option 1.



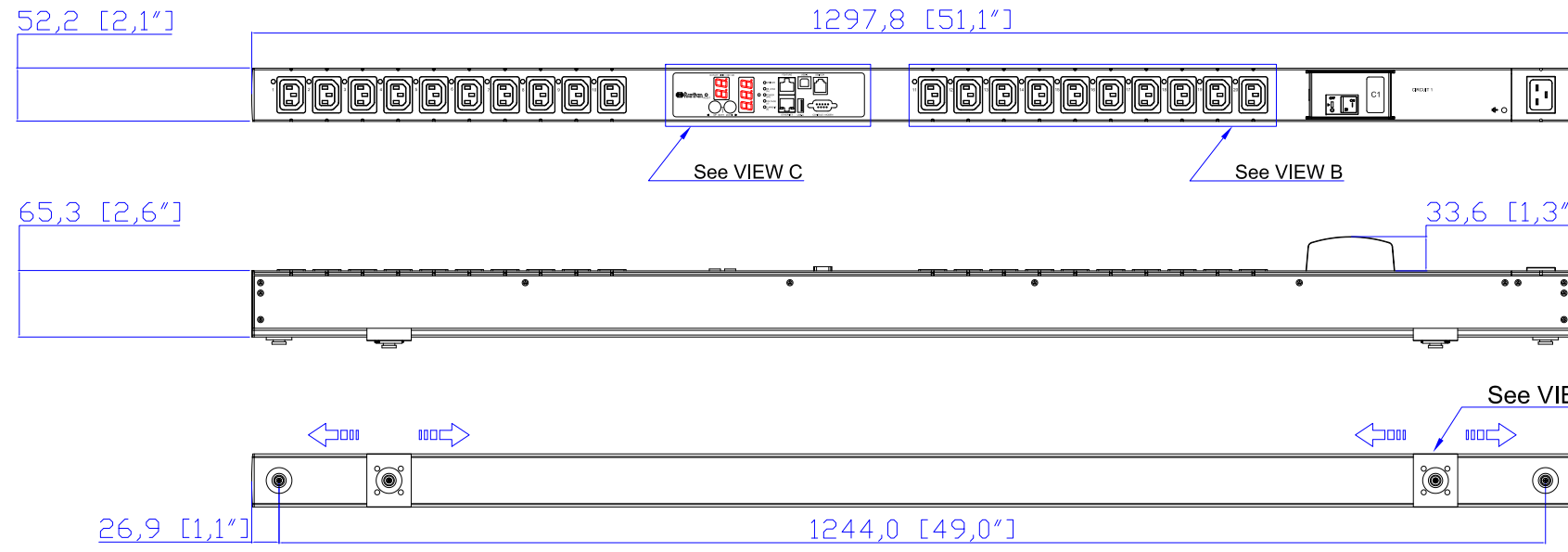
Option 2.



Option 3.



VIEW D



IEC 320 C19

IEC309 16A/250V
P+N+PE

See VIEW A

See VIEW C

See VIEW B

See VIEW D

NOTES:

1.ALL DIMENSIONS ARE MILLIMETERS[INCHES].



PROJECTION
THIRD ANGLE

DO NOT SCALE DRAWING

SHEET 1 OF 1

THIS DRAWING AND SPECIFICATIONS HEREIN ARE THE PROPERTY OF RARITAN, INC. AND SHALL NOT BE COPIED, REPRODUCED OR USED, IN WHOLE OR IN PART, AS THE BASIS FOR THE MANUFACTURE OR SALE OF ITEMS WITHOUT WRITTEN PERMISSION FROM RARITAN, INC. THIS DRAWING IS BASED UPON LATEST AVAILABLE INFORMATION AND IS SUBJECT TO CHANGE WITHOUT NOTICE.

TITLE: iPDU Zero U,
Single Phase, 16A/200V-240V,
Input Type: IEC60320 C20 ,
Plug Type: IEC60309 16A
Output Type: (20) IEC320 C13

DWG NO.

MPX2-5440-F5

REV.

A

DRAWN : EVA LIN Mar. 01,2013

ENGINEER: Sam_L Mar. 01,2013

APPROVED: Tom_H Mar. 01,2013