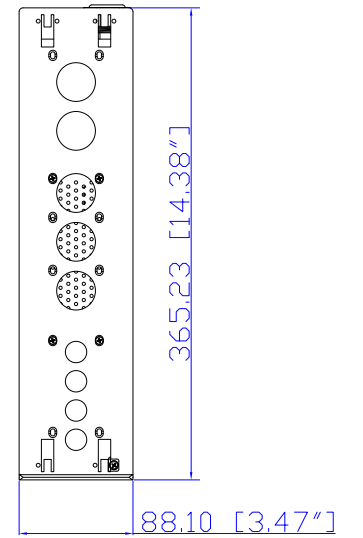
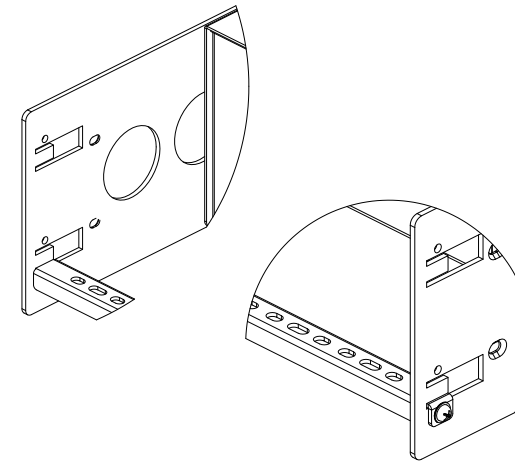
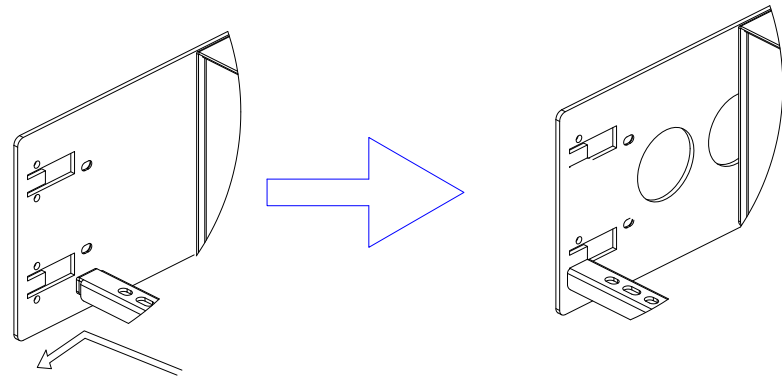


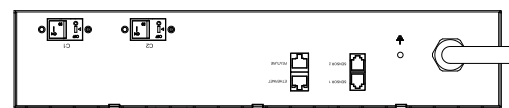
56PA332

VIEW A

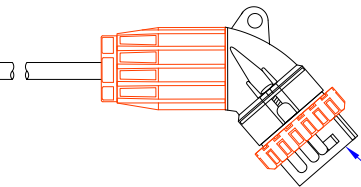


VIEW B

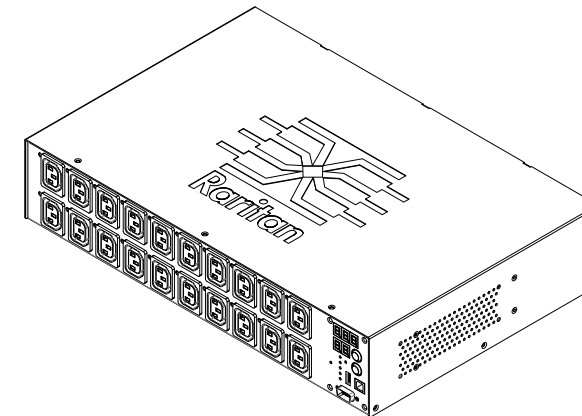
Rear



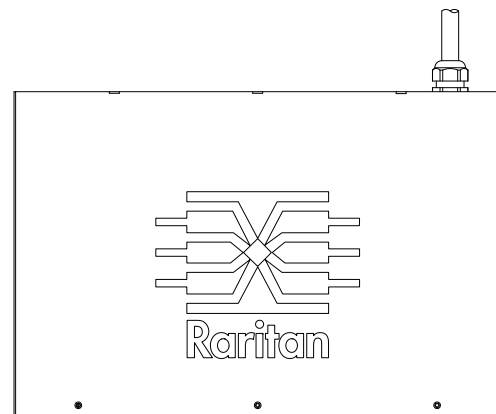
56PA332



See VIEW A



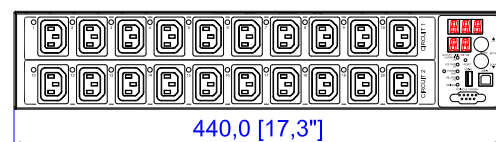
TOP



293,0 [11,5]

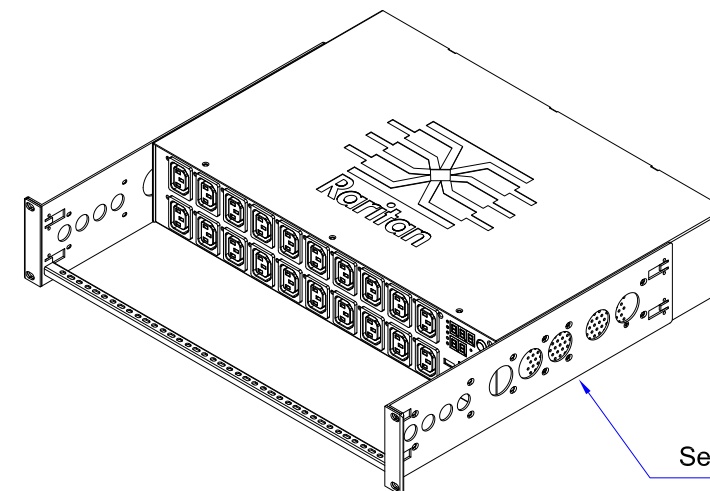
88,3 [3,5]

Front

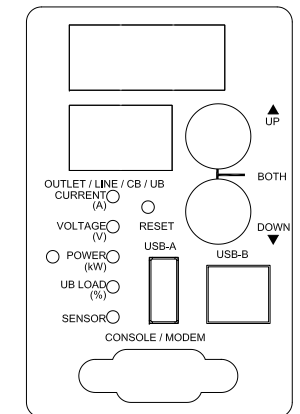


440,0 [17,3]

See VIEW C



See VIEW B



VIEW C

NOTES:
ALL DIMENSIONS ARE MILLIMETERS[INCHES].



DO NOT SCALE DRAWING

SHEET 1 OF 1

THIS DRAWING AND SPECIFICATIONS HEREIN ARE THE PROPERTY OF AMERICAN POWER CONVERSION AND SHALL NOT BE COPIED, REPRODUCED OR USED IN WHOLE OR IN PART, AS THE BASIS FOR THE MANUFACTURE OR SALE OF ITEMS WITHOUT WRITTEN PERMISSION FROM APC. THIS DRAWING IS BASED UPON LATEST AVAILABLE INFORMATION AND IS SUBJECT TO CHANGE WITHOUT NOTICE.

DRAWN : EvaLin Dec. 11,2012

ENGINEER: Kenny_C Dec. 11,2012

APPROVED: Tom_H Dec. 11,2012

TITLE: iPDU Two U,
Single phase, 32A/240V
Plug Type: 56PA332 ,
Outlet Type : (20) IEC320 C13

DWG NO. **MPX2-5466A2R & MPX2-4466A2R** REV. **A**