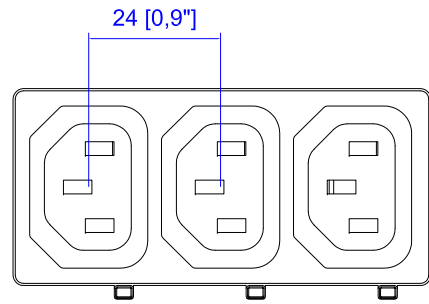
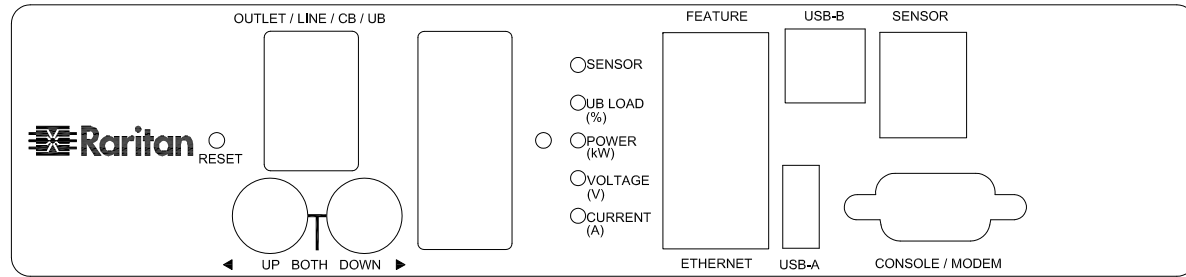


IEC60309 16A

VIEW A



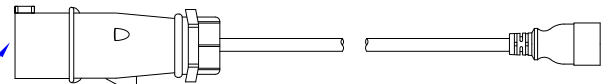
VIEW B



VIEW C

IEC60309 16A

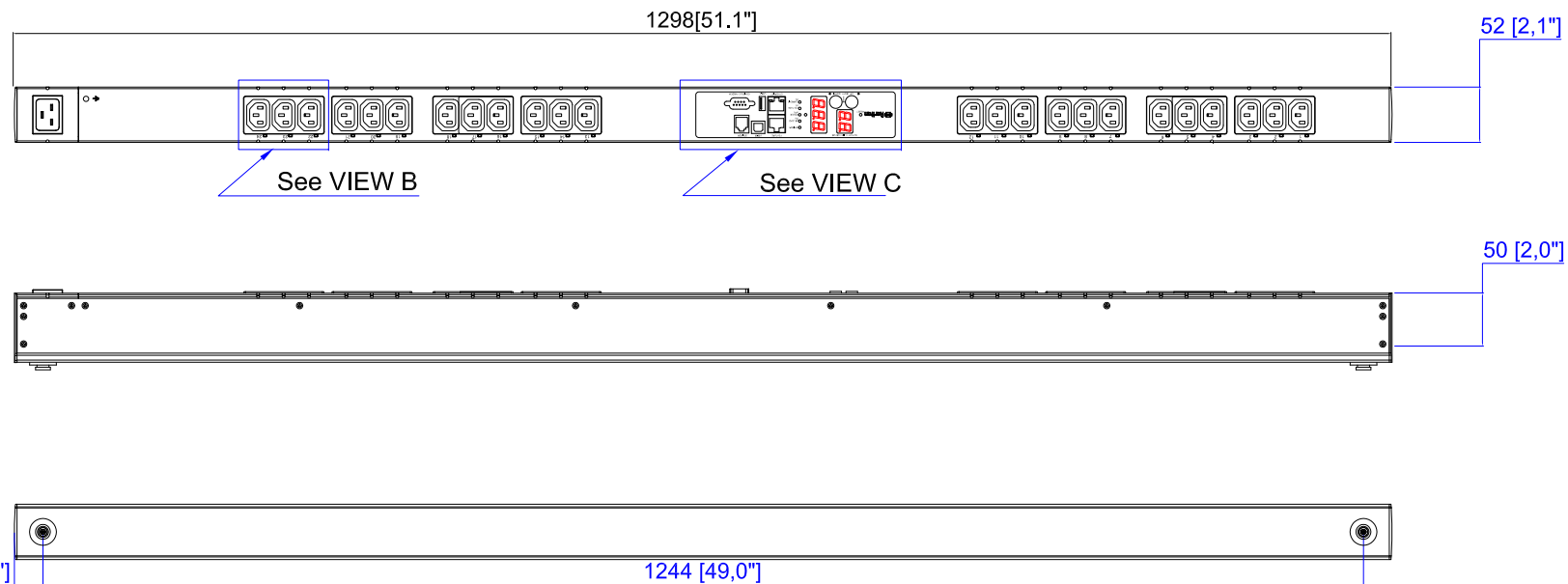
IEC 320 C19



See VIEW A

See VIEW B

See VIEW C



NOTES:
ALL DIMENSIONS ARE MILLIMETERS[INCHES].



DO NOT SCALE DRAWING

SHEET 1 OF 1

THIS DRAWING AND SPECIFICATIONS HEREIN ARE THE PROPERTY OF RARITAN, INC. AND SHALL NOT BE COPIED, REPRODUCED OR USED, IN WHOLE OR IN PART, AS THE BASIS FOR THE MANUFACTURE OR SALE OF ITEMS WITHOUT WRITTEN PERMISSION FROM RARITAN, INC. THIS DRAWING IS BASED UPON LATEST AVAILABLE INFORMATION AND IS SUBJECT TO CHANGE WITHOUT NOTICE.

TITLE: iPDU Zero U,
Single Phase, 16A/200V-240V,
Inlet Type: IEC60320 C20
Plug Type: IEC60309 16A
Outlet Type: (24)IEC320 C13.

DWG NO. **MPX2-5486 & MPX2-4486**

REV.

A

DRAWN :	EVA_L	Mar. 12,2013
ENGINEER:	Sam_L	Mar. 12,2013
APPROVED:	Tom_H	Mar. 12,2013