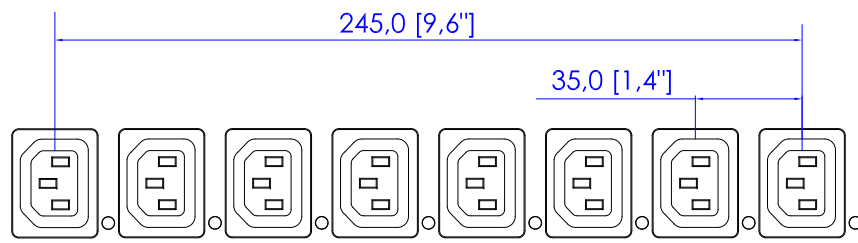


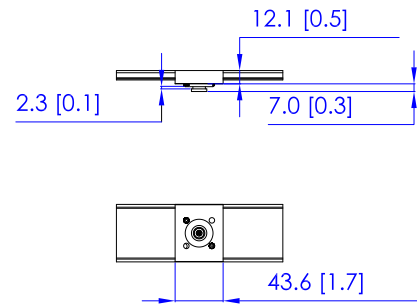
NEMA L21-30P

VIEW A

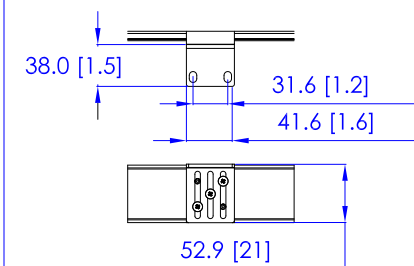


VIEW B

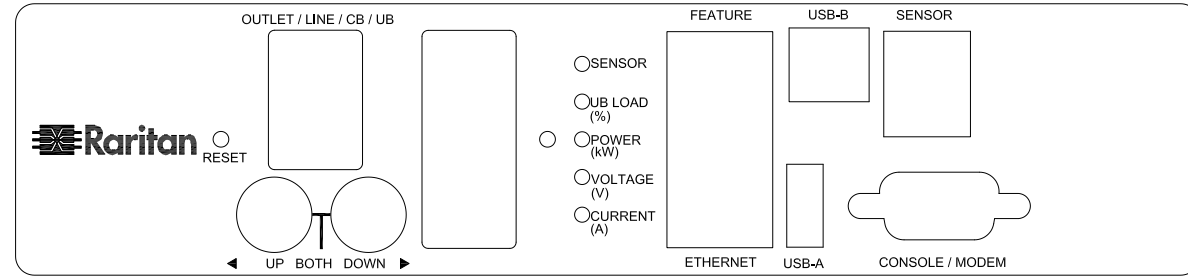
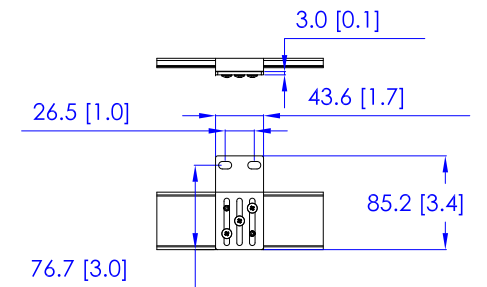
Option 1.



Option 2.

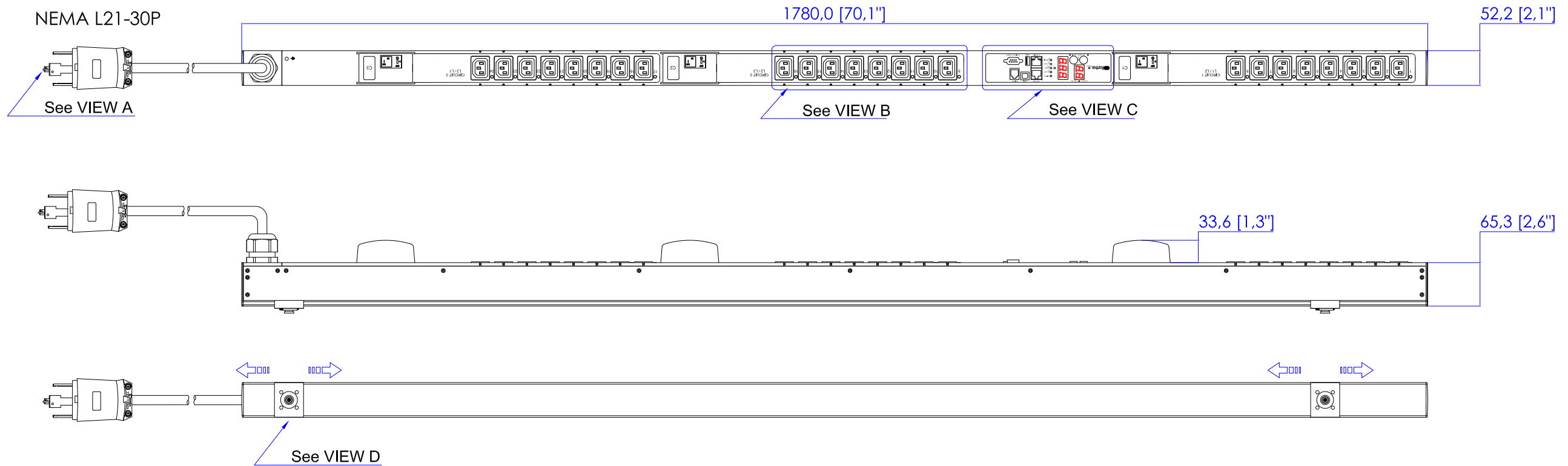


Option 3.



VIEW C

VIEW D



NOTES:
1. ALL DIMENSIONS ARE MILLIMETERS [INCHES].



DRAWN : EVA LIN June 08, 2011
ENGINEER: Kenny_C June 08, 2011
APPROVED: Kevin_C June 08, 2011



PROJECTION THIRD ANGLE
DO NOT SCALE DRAWING
SHEET 1 OF 1

THIS DRAWING AND SPECIFICATIONS HEREIN ARE THE PROPERTY OF RARITAN, INC. AND SHALL NOT BE COPIED, REPRODUCED OR USED, IN WHOLE OR IN PART, AS THE BASIS FOR THE MANUFACTURE OR SALE OF ITEMS WITHOUT WRITTEN PERMISSION FROM RARITAN, INC. THIS DRAWING IS BASED UPON LATEST AVAILABLE INFORMATION AND IS SUBJECT TO CHANGE WITHOUT NOTICE.

TITLE: iPDU Zero U,
Three phase 24A / 190V-208V
Input : NEMA L21-30P
Output : (24)IEC320 C13

DWG NO. **MPX2-4520 & MPX2-5520** REV. **A**