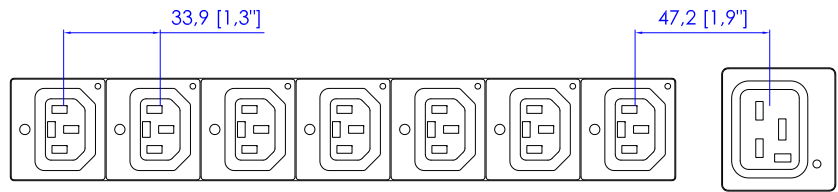
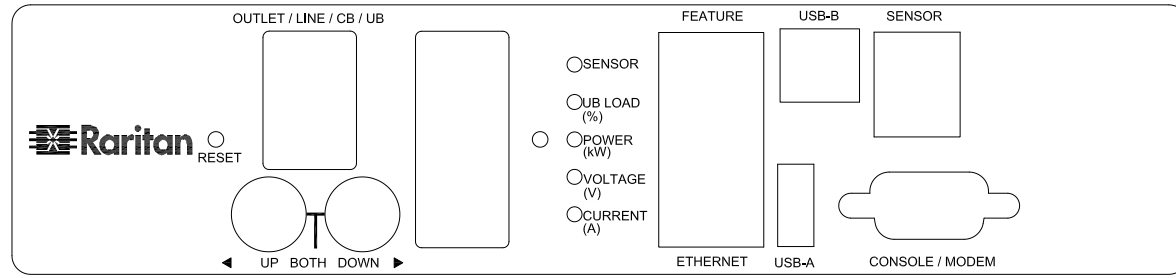


NEMA L21-30P

VIEW A

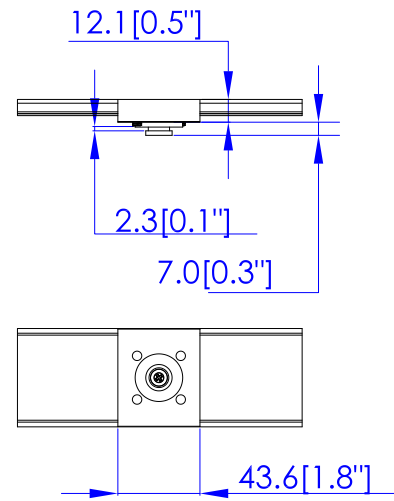


VIEW B

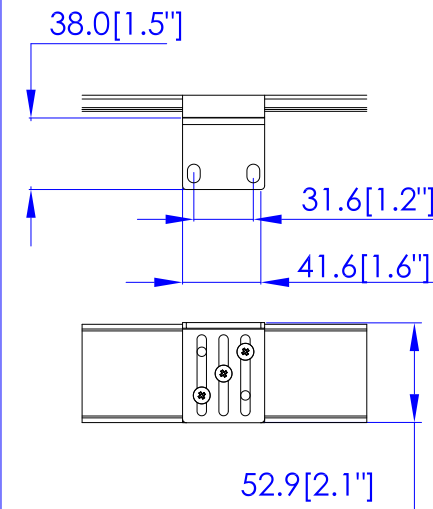


VIEW C

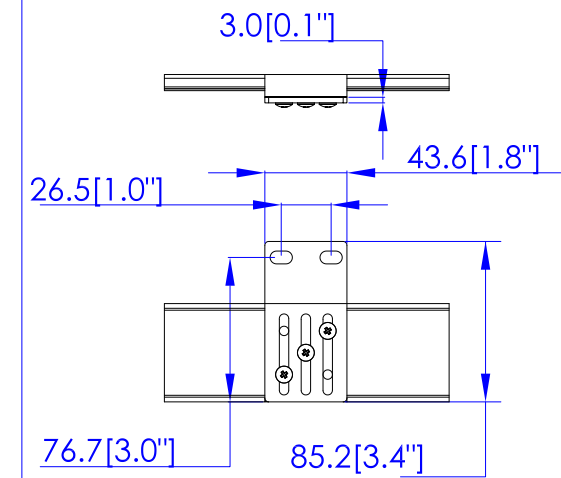
Option 1.



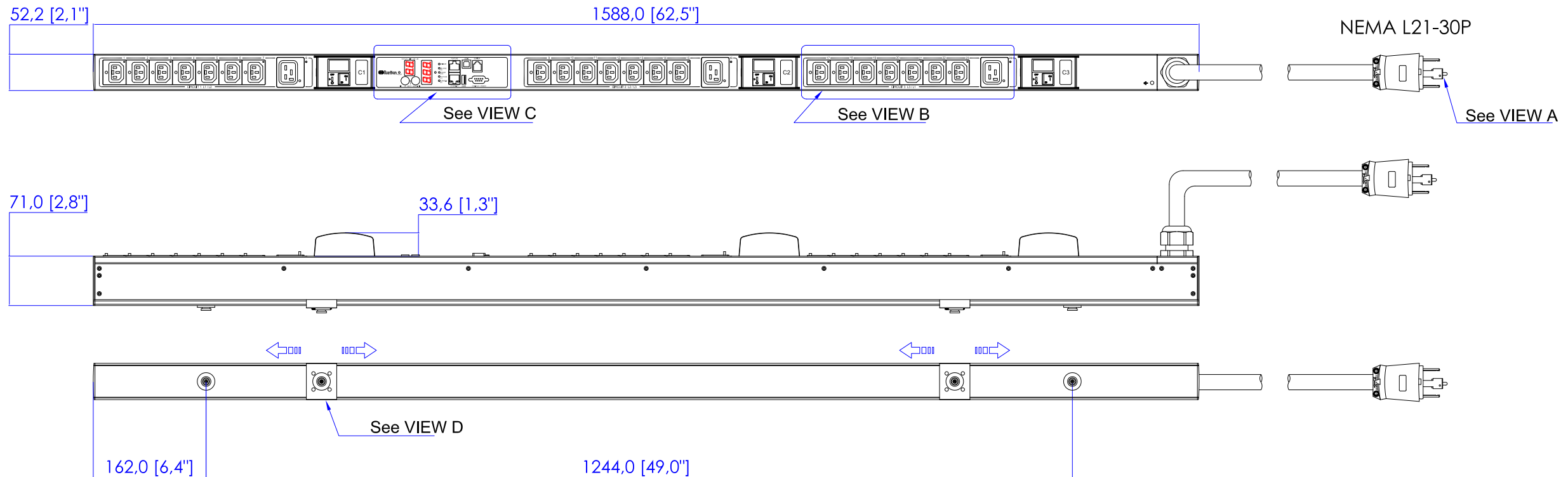
Option 2.



Option 3.



VIEW D



NOTES:

1. ALL DIMENSIONS ARE MILLIMETERS [INCHES].



DRAWN :	EVA LIN	Dec. 21, 2011
ENGINEER:	Kenny_C	Dec. 21, 2011
APPROVED:	Tom_H	Dec. 21, 2011



DO NOT SCALE DRAWING  
SHEET 1 OF 1

THIS DRAWING AND SPECIFICATIONS HEREIN ARE THE PROPERTY OF RARITAN, INC. AND SHALL NOT BE COPIED, REPRODUCED OR USED, IN WHOLE OR IN PART, AS THE BASIS FOR THE MANUFACTURE OR SALE OF ITEMS WITHOUT WRITTEN PERMISSION FROM RARITAN, INC. THIS DRAWING IS BASED UPON LATEST AVAILABLE INFORMATION AND IS SUBJECT TO CHANGE WITHOUT NOTICE.

TITLE: iPDU Zero U,  
Three phase 24A / 190V-208V  
Plug Type: NEMA L21-30P  
Outlet Type: (21)IEC320 Locking C13  
(3)IEC320 Locking C19

DWG NO.  
MPX2-5522-E2N1 & MPX2-4522-E2N1

REV.  
A