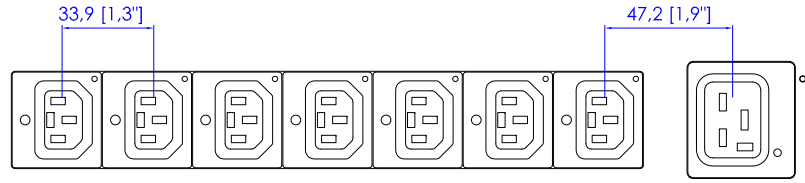
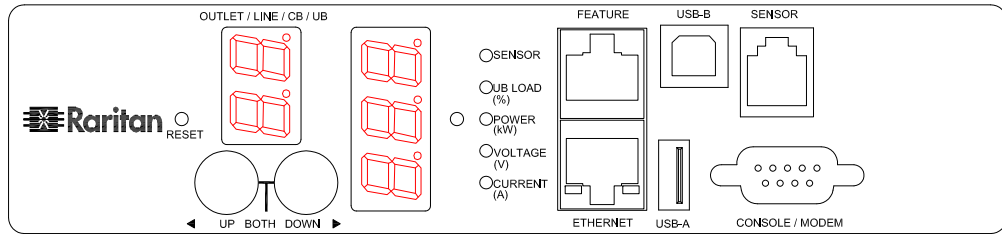


NEMA L15-30P

VIEW A

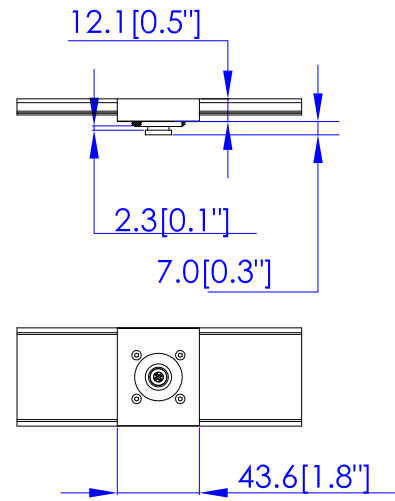


VIEW B

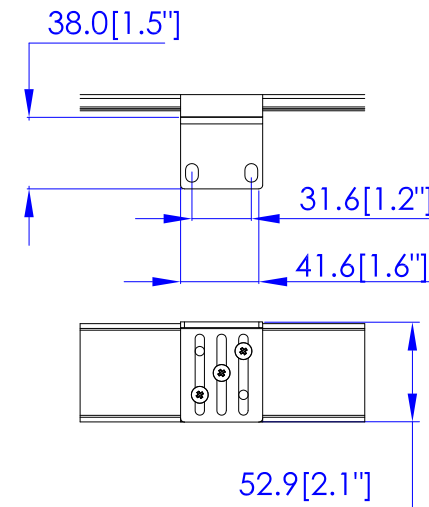


VIEW C

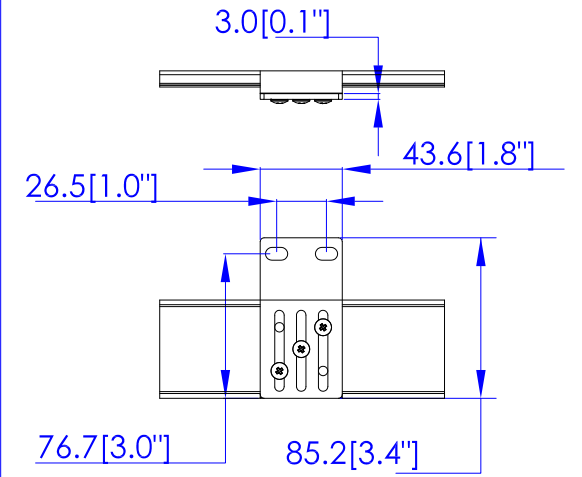
Option 1.



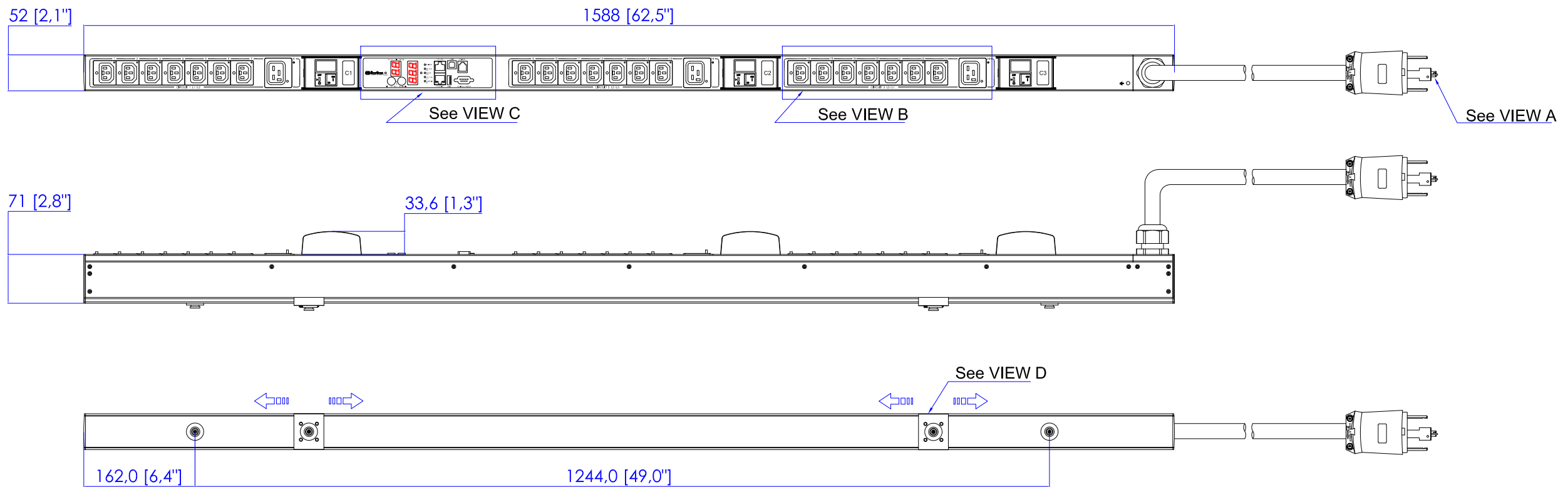
Option 2.



Option 3.



VIEW D



NOTES:

1. ALL DIMENSIONS ARE MILLIMETERS [INCHES].



Drawing Maker:	EVA LIN	May 18, 2016
Design Engineer:	Kenny_C	May 18, 2016
Approver:	Tom_H	May 18, 2016



DO NOT SCALE DRAWING
SHEET 1 OF 1

THIS DRAWING AND SPECIFICATIONS HEREIN ARE THE PROPERTY OF RARITAN, INC. AND SHALL NOT BE COPIED, REPRODUCED OR USED, IN WHOLE OR IN PART, AS THE BASIS FOR THE MANUFACTURE OR SALE OF ITEMS WITHOUT WRITTEN PERMISSION FROM RARITAN, INC. THIS DRAWING IS BASED UPON LATEST AVAILABLE INFORMATION AND IS SUBJECT TO CHANGE WITHOUT NOTICE.

TITLE: iPDU Zero U
Three phase 24A / 208V-240V
Plug Type: NEMA L15-30P
Outlet Type: (2)IEC320 Locking C13
(3)IEC320 Locking C19

DWG NO. **MPX2-5523-E2N1&MPX2-4523-E2N1** REV. **0A**