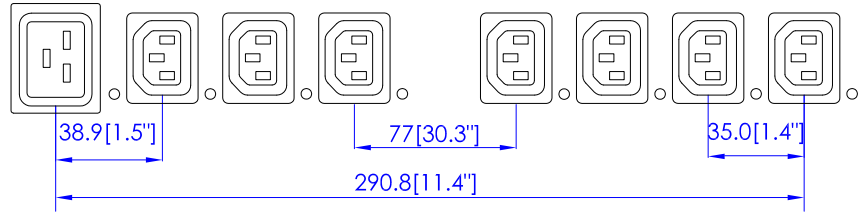
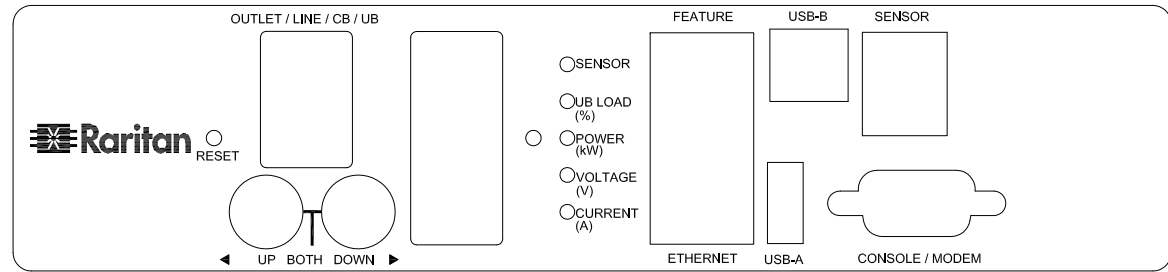


NEMA L22-30P

VIEW A

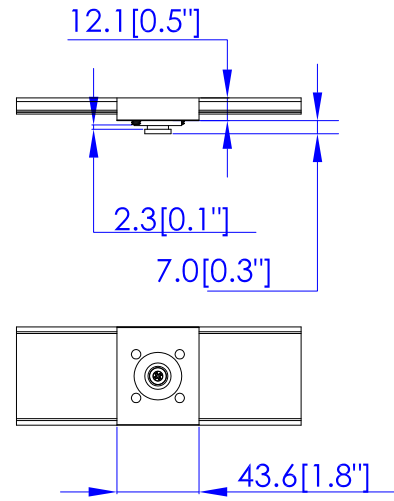


VIEW B

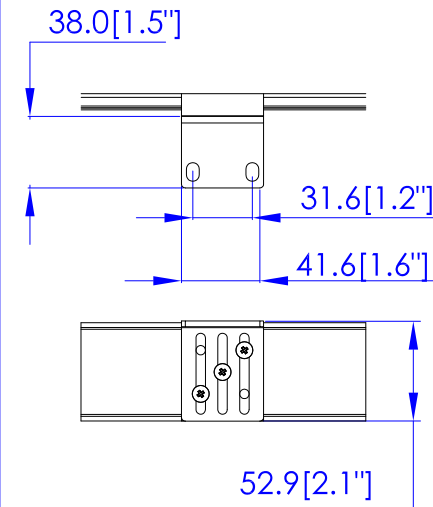


VIEW C

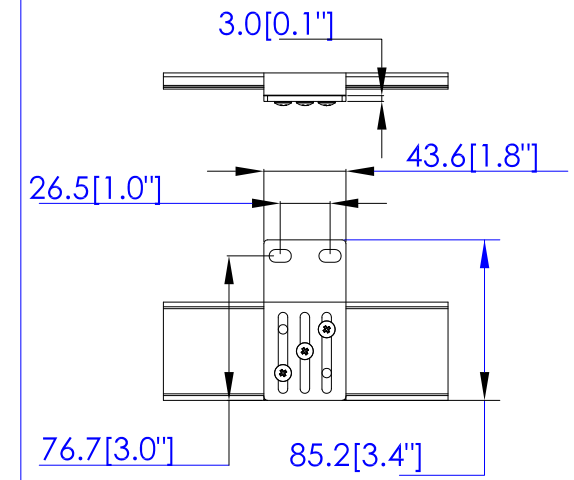
Option 1.



Option 2.

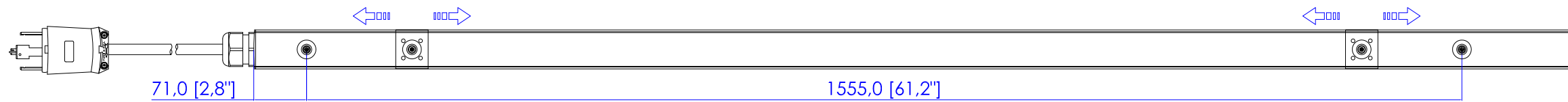
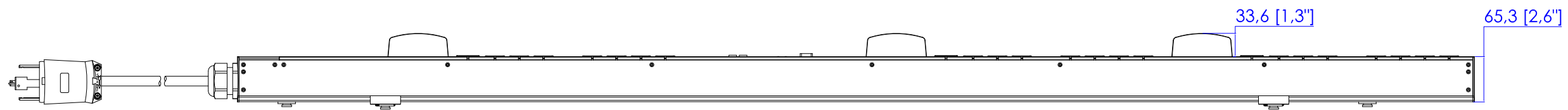
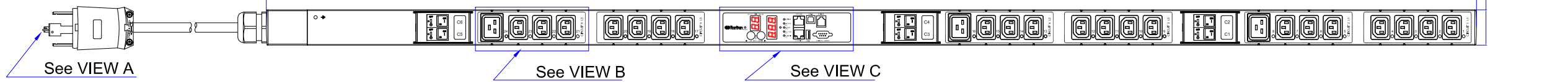


Option 3.



VIEW D

NEMA L22-30P



NOTES:  
1. ALL DIMENSIONS ARE MILLIMETERS [INCHES].



DO NOT SCALE DRAWING

SHEET 1 OF 1

THIS DRAWING AND SPECIFICATIONS HEREIN ARE THE PROPERTY OF RARITAN, INC. AND SHALL NOT BE COPIED, REPRODUCED OR USED, IN WHOLE OR IN PART, AS THE BASIS FOR THE MANUFACTURE OR SALE OF ITEMS WITHOUT WRITTEN PERMISSION FROM RARITAN, INC. THIS DRAWING IS BASED UPON LATEST AVAILABLE INFORMATION AND IS SUBJECT TO CHANGE WITHOUT NOTICE.

TITLE:  
iPDU Zero U,  
Three phase 24A / 360V-415V  
Plug Type : NEMA L22-30P 3Φ5W  
Outlet Type: (21)IEC320 C13 , (3)IEC320 C19

DWG NO. **MPX2-5633U & MPX2-4633U** REV. **A**

DRAWN :	Eva Lin	Jan. 09, 2014
ENGINEER:	Siang_H	Jan. 09, 2014
APPROVED:	Tom_H	Jan. 09, 2014