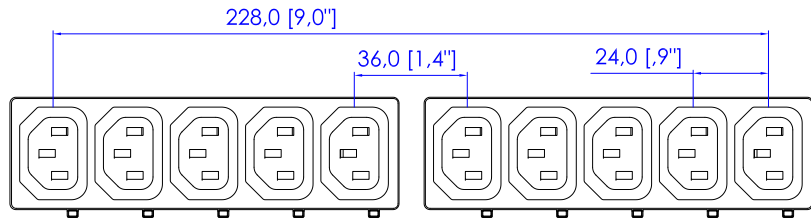
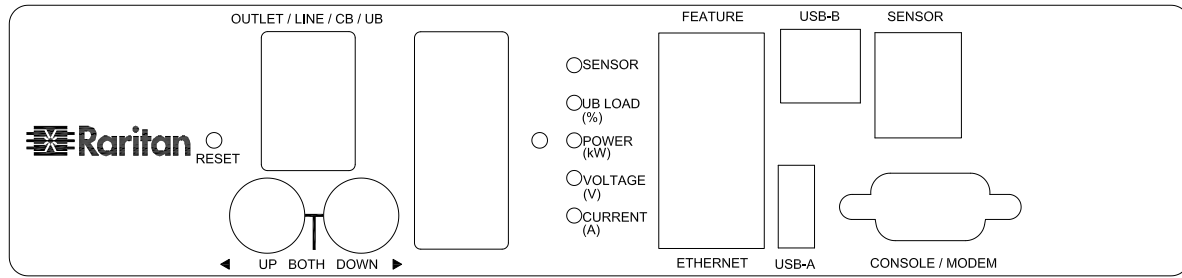


NEMA L21-30P

VIEW A

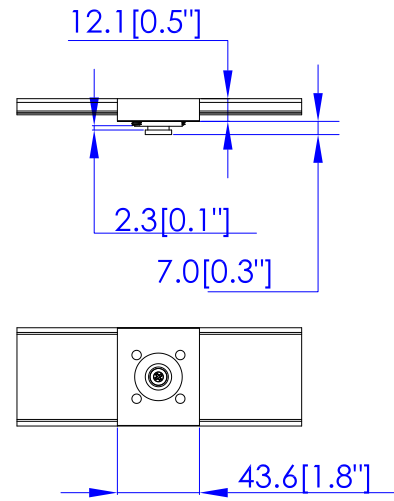


VIEW B

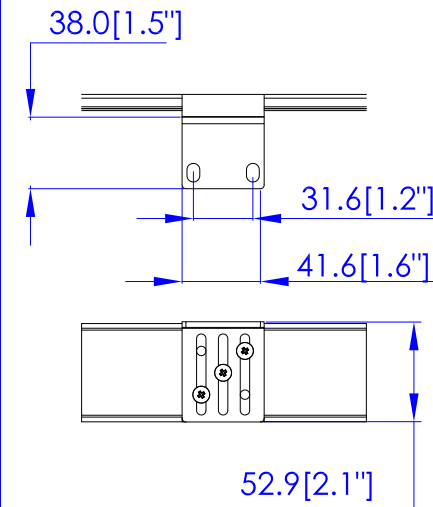


VIEW C

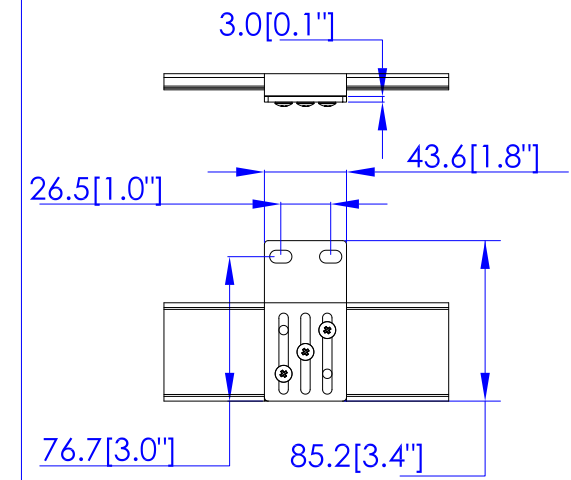
Option 1.



Option 2.

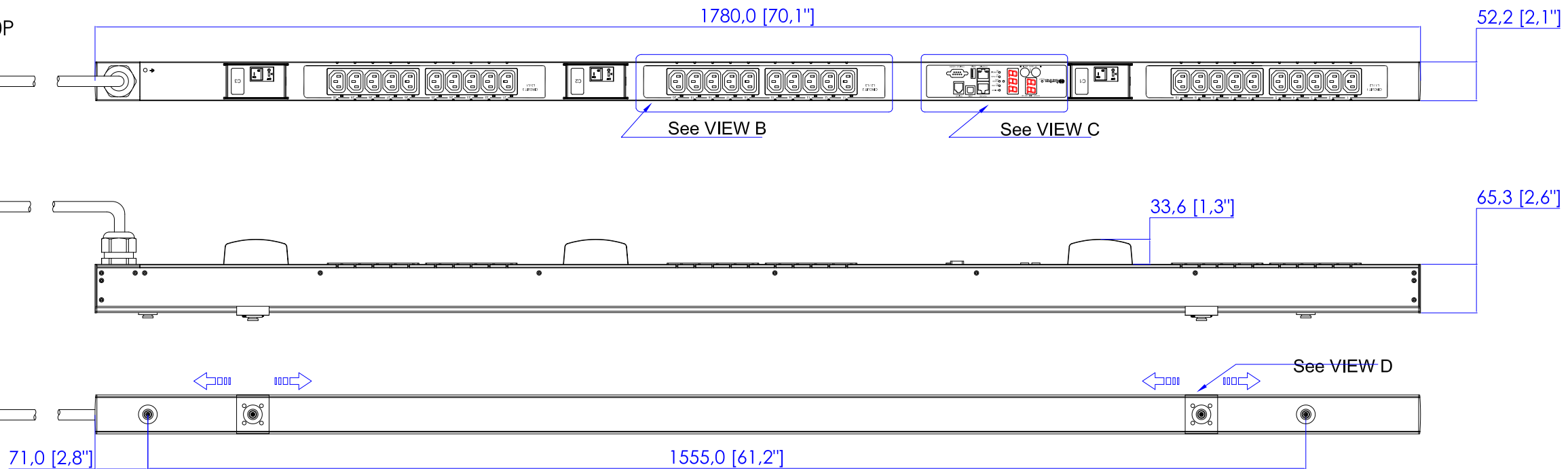
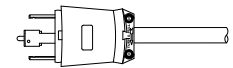
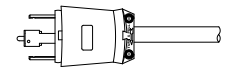
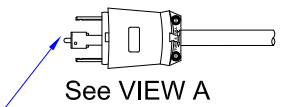


Option 3.



VIEW D

NEMA L21-30P



NOTES:

1. ALL DIMENSIONS ARE MILLIMETERS [INCHES].



DRAWN :	EVA LIN	June 30, 2011
ENGINEER:	Kenny_C	July 01, 2011
APPROVED:	Kevin_C	July 01, 2011



PROJECTION THIRD ANGLE  
DO NOT SCALE DRAWING  
SHEET 1 OF 1

THIS DRAWING AND SPECIFICATIONS HEREIN ARE THE PROPERTY OF RARITAN, INC. AND SHALL NOT BE COPIED, REPRODUCED OR USED, IN WHOLE OR IN PART, AS THE BASIS FOR THE MANUFACTURE OR SALE OF ITEMS WITHOUT WRITTEN PERMISSION FROM RARITAN, INC. THIS DRAWING IS BASED UPON LATEST AVAILABLE INFORMATION AND IS SUBJECT TO CHANGE WITHOUT NOTICE.

TITLE: iPDU Zero U,  
Three phase 24A / 190V-208V  
Input : NEMA L21-30P  
Output : (30) IEC320 C13

DWG NO.  
MPX2-5649 & MPX2-4649

REV.  
A