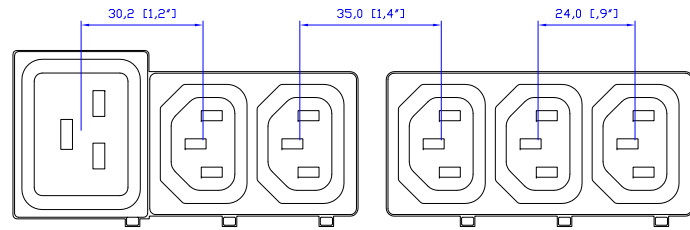
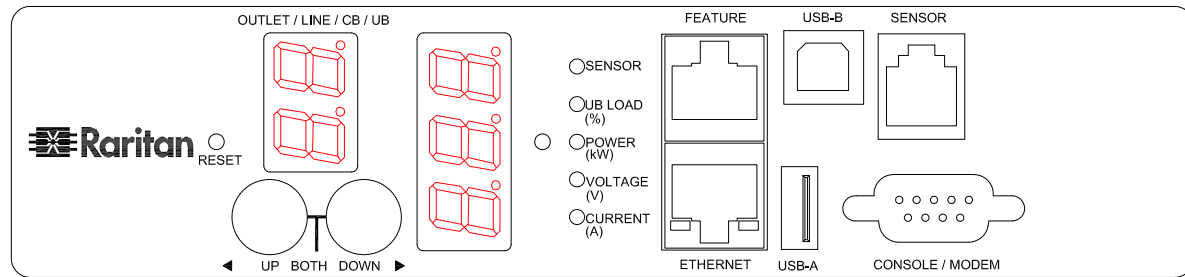


NEMA L15-30P

VIEW A

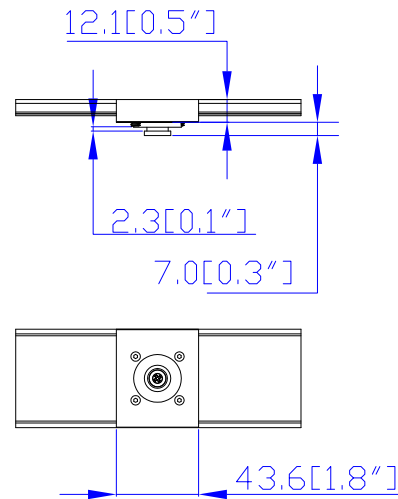


VIEW B

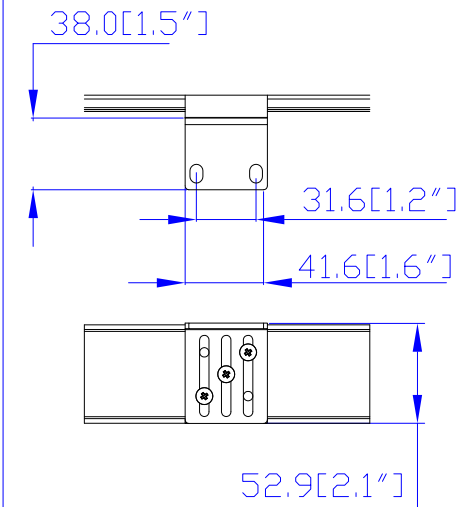


VIEW C

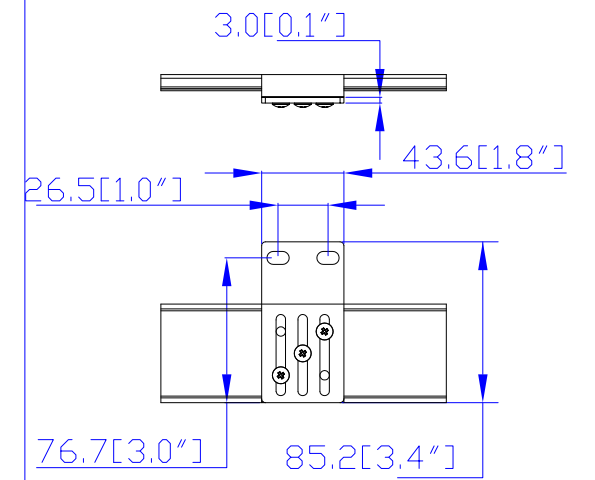
Option 1.



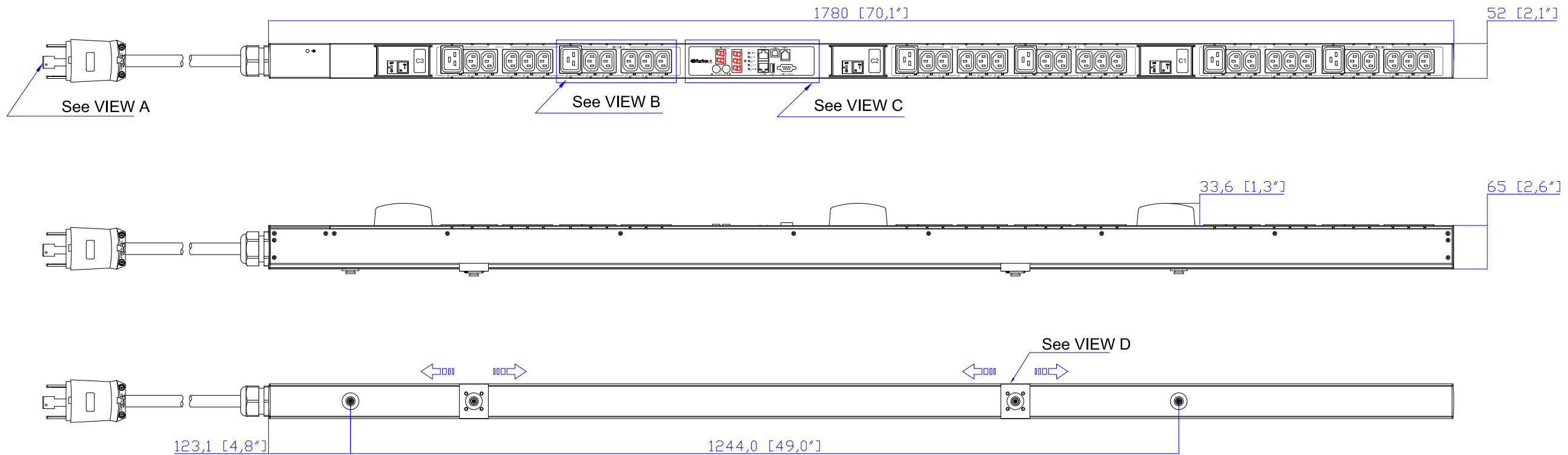
Option 2.



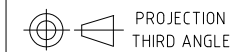
Option 3.



VIEW D



NOTES:  
1. ALL DIMENSIONS ARE MILLIMETERS [INCHES].



DO NOT SCALE DRAWING  
**SHEET 1 OF 1**

THIS DRAWING AND SPECIFICATIONS HEREIN ARE THE PROPERTY OF RARITAN, INC. AND SHALL NOT BE COPIED, REPRODUCED OR USED, IN WHOLE OR IN PART, AS THE BASIS FOR THE MANUFACTURE OR SALE OF ITEMS WITHOUT WRITTEN PERMISSION FROM RARITAN, INC. THIS DRAWING IS BASED UPON LATEST AVAILABLE INFORMATION AND IS SUBJECT TO CHANGE WITHOUT NOTICE.

TITLE:  
iPDU Zero U,  
Three Phase, 24A/208V-240V,  
Input Type: NEMA L15-30P  
Output Type: (30)IEC320 C13, (6)IEC320 C19

Drawing Maker: EVA\_Lin Mar. 03, 2015  
Design Engineer: Sam\_L Mar. 03, 2015  
Approver: Tom\_H Mar. 03, 2015

DWG NO. **MPX2-5720U & MPX2-4720U** REV. **0B**