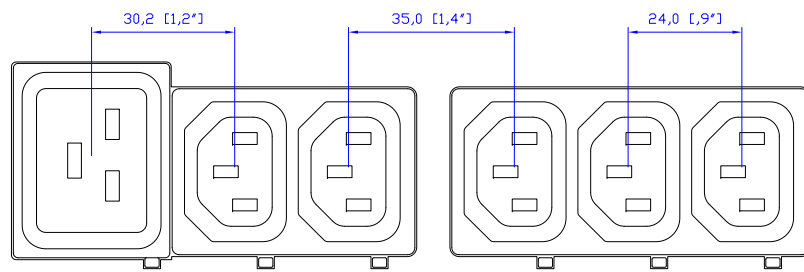


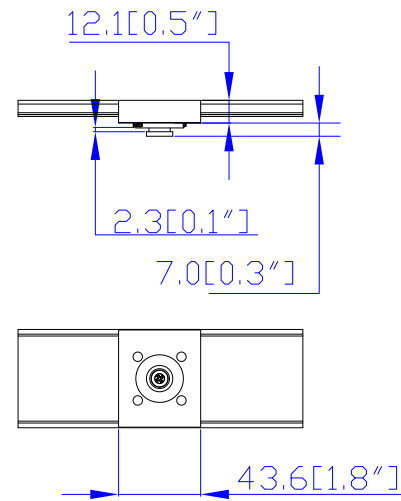
NEMA L22-30P

VIEW A

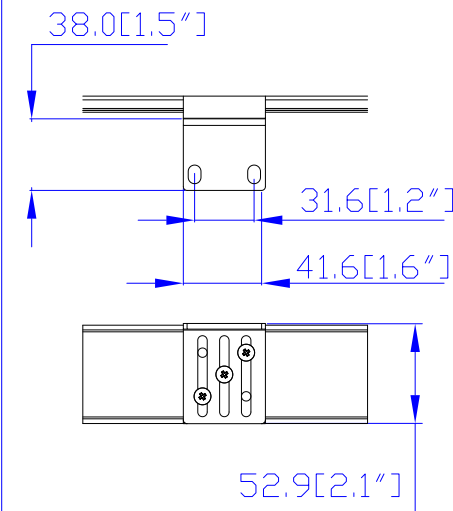


VIEW B

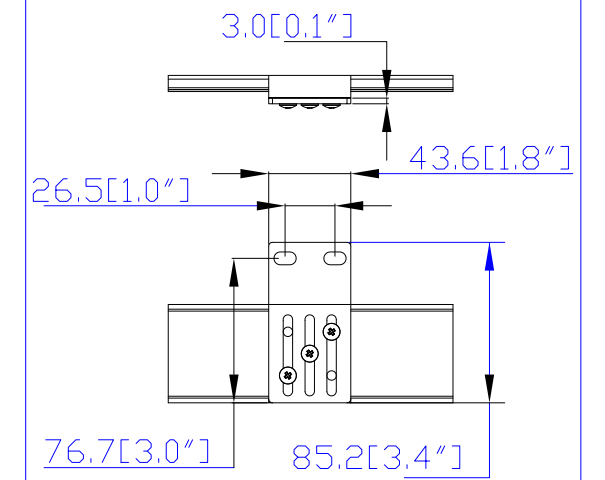
Option 1.



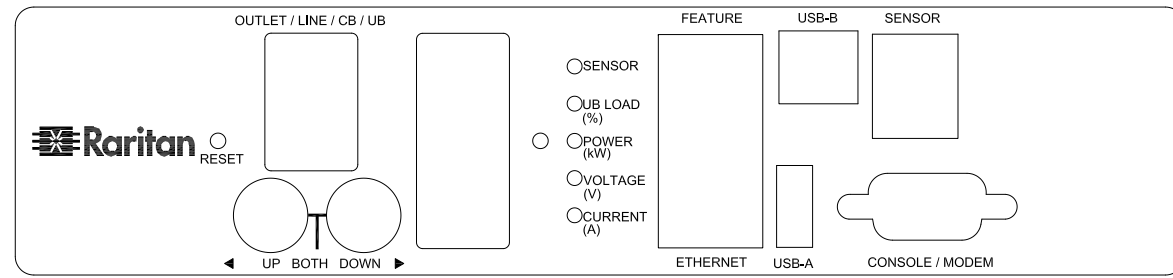
Option 2.



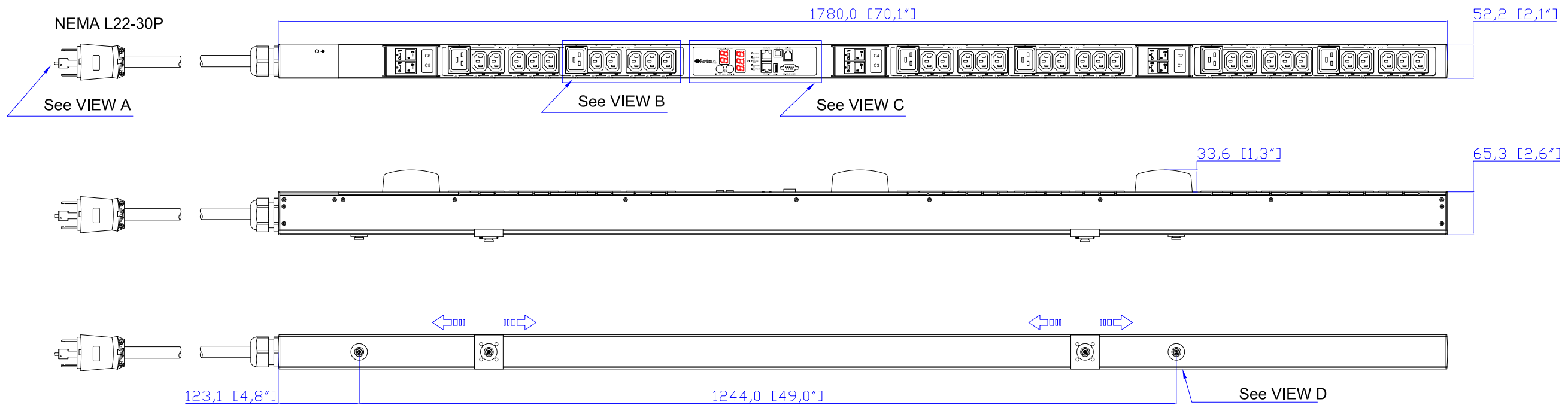
Option 3.



VIEW D



VIEW C



NOTES:
1.ALL DIMENSIONS ARE MILLIMETERS[INCHES].



DRAWN : EVA Lin June 12,2012
ENGINEER: Kenny_C June 12,2012
APPROVED: Tom_H June 12,2012



DO NOT SCALE DRAWING

SHEET 1 OF 1

THIS DRAWING AND SPECIFICATIONS HEREIN ARE THE PROPERTY OF RARITAN, INC. AND SHALL NOT BE COPIED, REPRODUCED OR USED, IN WHOLE OR IN PART, AS THE BASIS FOR THE MANUFACTURE OR SALE OF ITEMS WITHOUT WRITTEN PERMISSION FROM RARITAN, INC. THIS DRAWING IS BASED UPON LATEST AVAILABLE INFORMATION AND IS SUBJECT TO CHANGE WITHOUT NOTICE.

TITLE:
iPDU Zero U,
Three Phase, 24A/360V-415V,
Plug Type: NEMA L22-30P
Output Type: (30)IEC320 C13 , (6)IEC320 C19

DWG NO. **MPX2-5723U & MPX2-4723U** REV. **A**