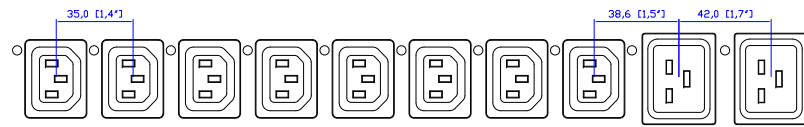


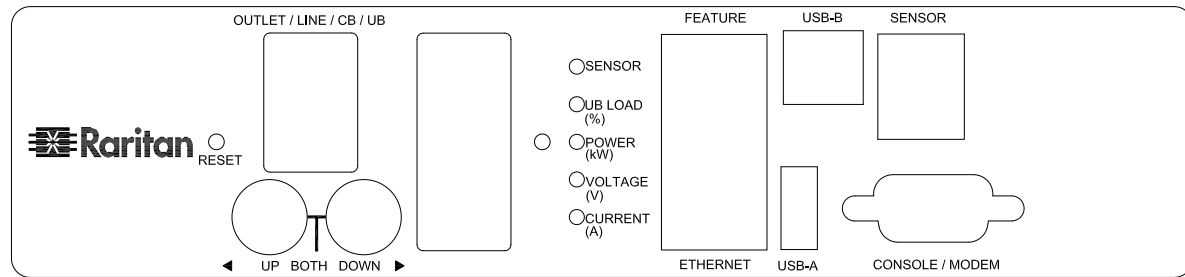


NEMA L6-20P

VIEW A

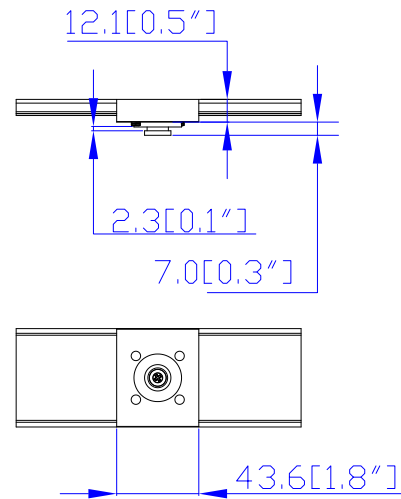


VIEW B

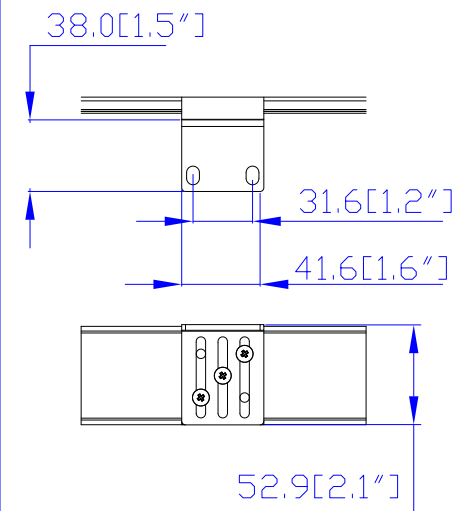


VIEW C

Option 1.

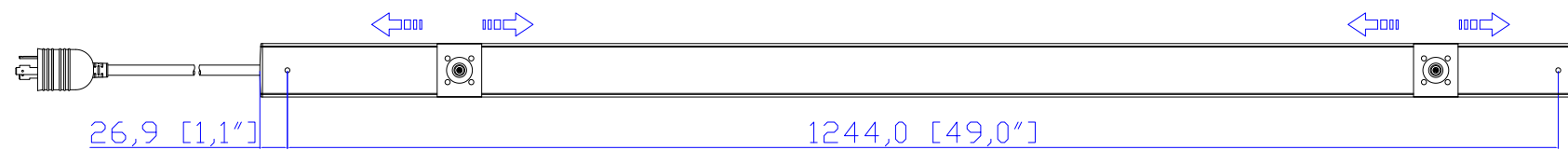
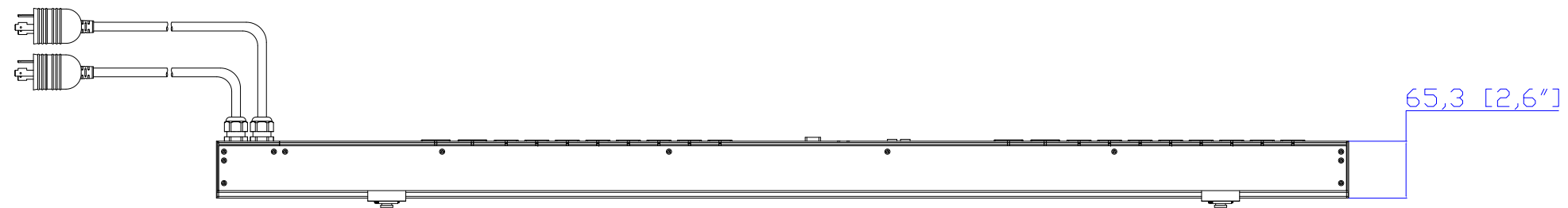
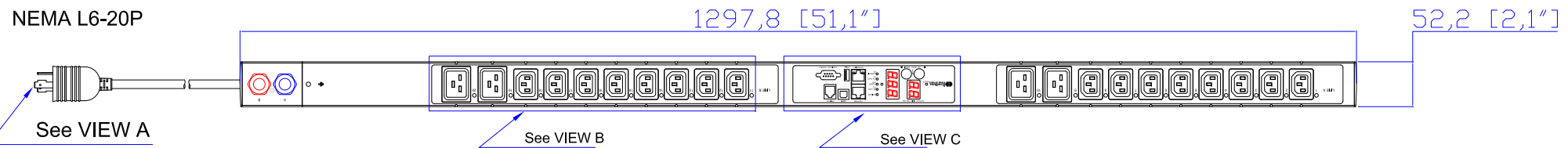
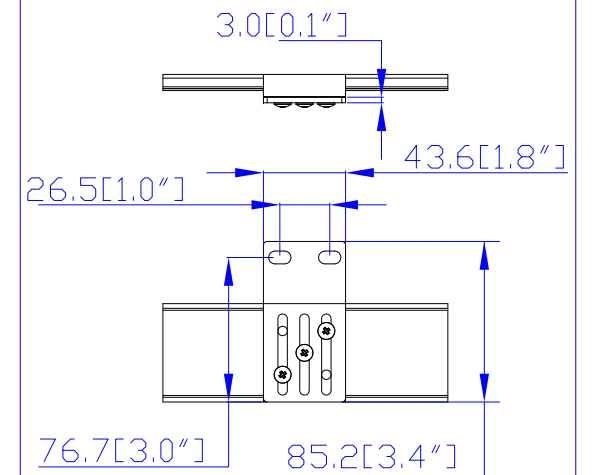


Option 2.



VIEW D

Option 3.



NOTES:  
1. ALL DIMENSIONS ARE MILLIMETERS [INCHES].



DRAWN : EVALin Oct. 11, 2012  
ENGINEER: Siang\_H Oct. 11, 2012  
APPROVED: Tom\_H Oct. 11, 2012



DO NOT SCALE DRAWING  
SHEET 1 OF 1

THIS DRAWING AND SPECIFICATIONS HEREIN ARE THE PROPERTY OF RARITAN, Inc. AND SHALL NOT BE COPIED, REPRODUCED OR USED, IN WHOLE OR IN PART, AS THE BASIS FOR THE MANUFACTURE OR SALE OF ITEMS WITHOUT WRITTEN PERMISSION FROM RARITAN, Inc. THIS DRAWING IS BASED UPON LATEST AVAILABLE INFORMATION AND IS SUBJECT TO CHANGE WITHOUT NOTICE.

TITLE:  
iPDU Zero U,  
Single Phase, 16A/200V-220V,  
Plug Type: NEMA L6-20P,  
Outlet Type: (16) IEC320 C13 (4) IEC320 C19

DWG NO. **MPX2-5746X2 & MPX2-5746X2** REV. **A**